



Chipsmall Limited consists of a professional team with an average of over 10 year of expertise in the distribution of electronic components. Based in Hongkong, we have already established firm and mutual-benefit business relationships with customers from,Europe,America and south Asia,supplying obsolete and hard-to-find components to meet their specific needs.

With the principle of “Quality Parts,Customers Priority,Honest Operation,and Considerate Service”,our business mainly focus on the distribution of electronic components. Line cards we deal with include Microchip,ALPS,ROHM,Xilinx,Pulse,ON,Everlight and Freescale. Main products comprise IC,Modules,Potentiometer,IC Socket,Relay,Connector.Our parts cover such applications as commercial,industrial, and automotives areas.

We are looking forward to setting up business relationship with you and hope to provide you with the best service and solution. Let us make a better world for our industry!



Contact us

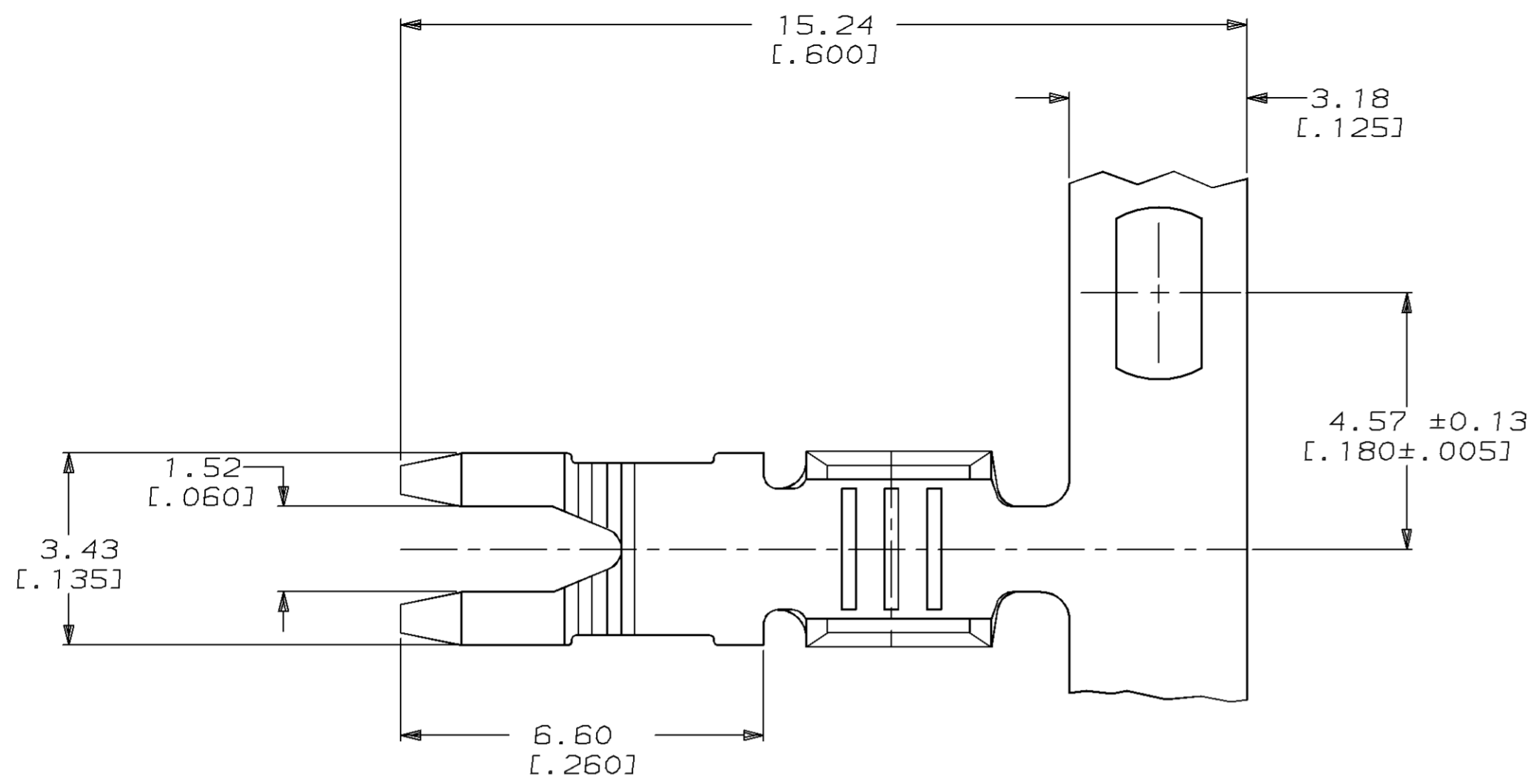
Tel: +86-755-8981 8866 Fax: +86-755-8427 6832

Email & Skype: info@chipsmall.com Web: www.chipsmall.com

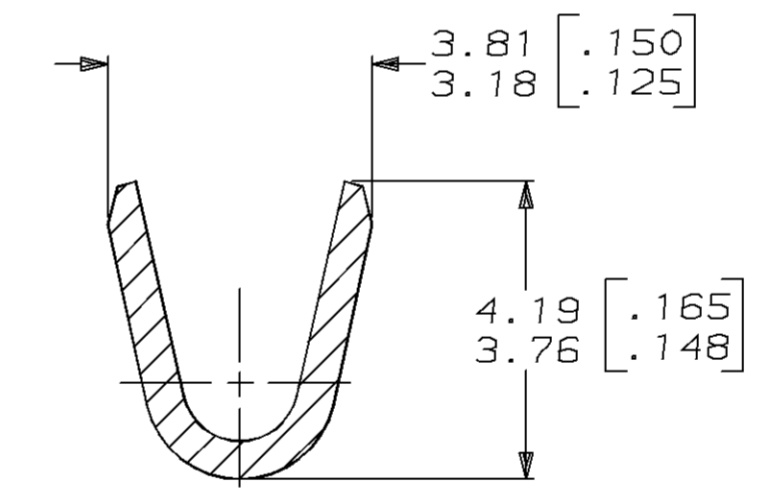
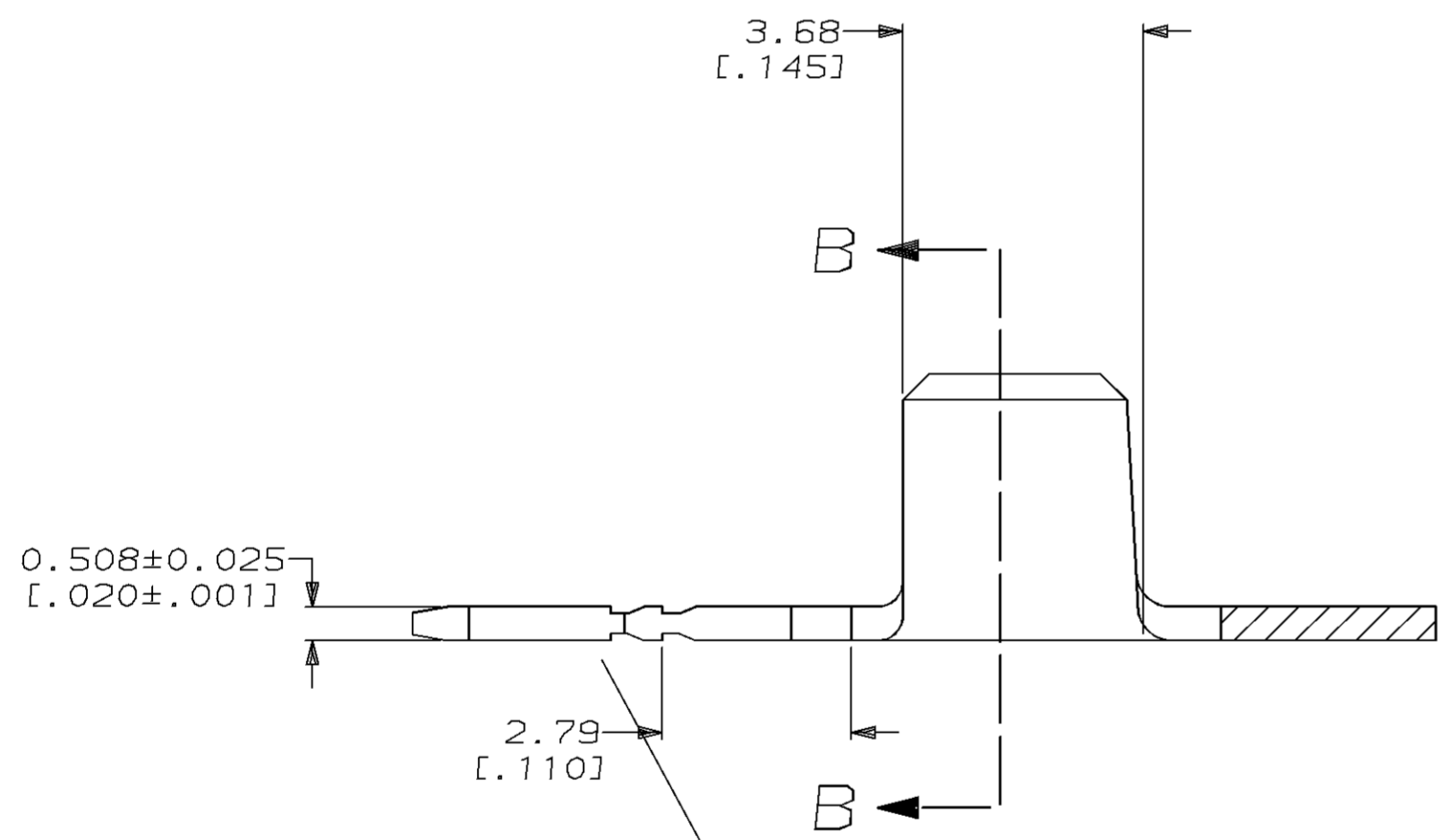
Address: A1208, Overseas Decoration Building, #122 Zhenhua RD., Futian, Shenzhen, China



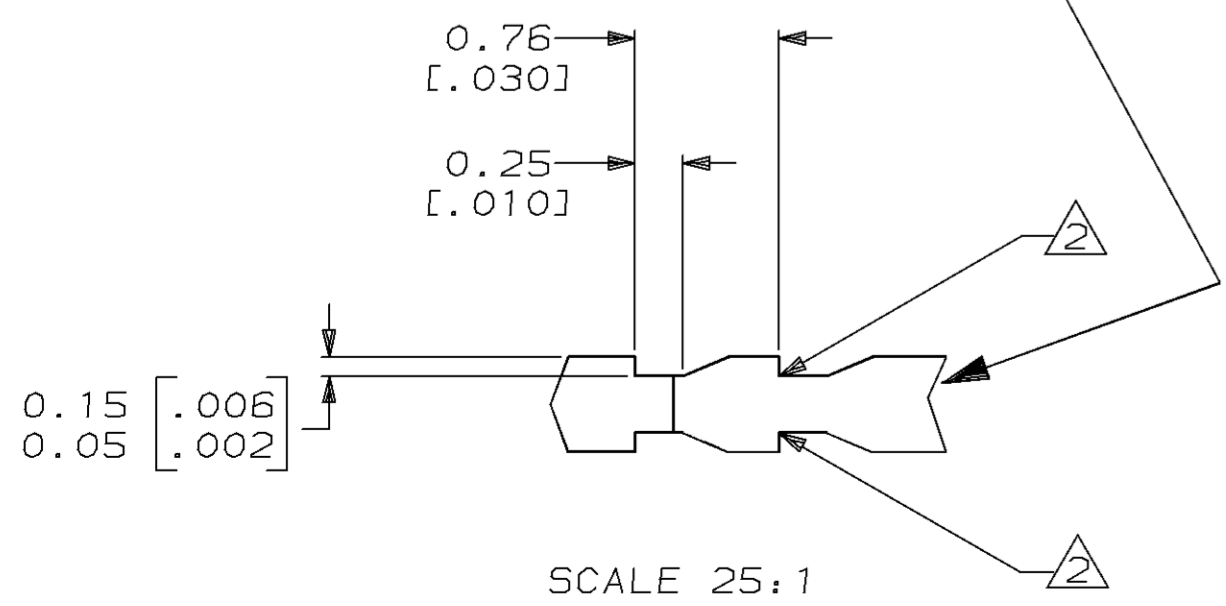
LOC		DIST		ZONE		LTR		REVISIONS		DATE	APPD
AF	50	P	F			A		RELEASE PER 0710-0543-94	21/OCT/94	PF/MF	



1 CONTINUOUS STRIP ON REELS
 2 FOR OPTIMUM RETENTION IN POKE-IN TYPE MAG-MATE TERMINALS, ONE OF THE SERRATIONS, AS SHOWN, MUST BE ENGAGED WITH THE EDGE OF THE LEAF



SECTION B-B



SCALE 25:1

0.8-2.0 mm ² [18 - 14] AWG	63775-1
WIRE RANGE	PART NO

DO NOT SCALE PRINT. UNLESS SPECIFIED DIMENSIONS IN mm [INCHES] TOLERANCES ON: 2 PLC DEC ± 0.25 [.010] 3 PLC DEC ± - ANGLES ± -	DR 08/FEB/94 MICHAEL S. FEHER	AMP Incorporated Harrisburg, PA 17105-3608	NAME	TAB, POKE-IN, MAG-MATE™			
	CHK 09/FEB/94 JEFF R. RUTH			APPD 09/FEB/94 ALEX HUNT III	SIZE	CAGE CODE	DRAWING NO
MATERIAL	APPD 09/FEB/94 TERRY L. SHUTTER	PRODUCT SPEC	-	③	00779	③=63775	
FINISH	0.002032 [.000080] MIN TIN PER MIL-T-10727	APPLICATION SPEC	114-2050	SCALE	10:1	SHEET	1 OF 1
		WEIGHT	-				

THIS DRAWING IS A CONTROLLED DOCUMENT FOR AMP INCORPORATED. IT IS SUBJECT TO CHANGE AND THE CONTROLLING ENGINEERING ORGANIZATION SHOULD BE CONTACTED FOR THE LATEST REVISION.