



Chipsmall Limited consists of a professional team with an average of over 10 year of expertise in the distribution of electronic components. Based in Hongkong, we have already established firm and mutual-benefit business relationships with customers from,Europe,America and south Asia,supplying obsolete and hard-to-find components to meet their specific needs.

With the principle of "Quality Parts,Customers Priority,Honest Operation,and Considerate Service",our business mainly focus on the distribution of electronic components. Line cards we deal with include Microchip,ALPS,ROHM,Xilinx,Pulse,ON,Everlight and Freescale. Main products comprise IC,Modules,Potentiometer,IC Socket,Relay,Connector.Our parts cover such applications as commercial,industrial, and automotives areas.

We are looking forward to setting up business relationship with you and hope to provide you with the best service and solution. Let us make a better world for our industry!



Contact us

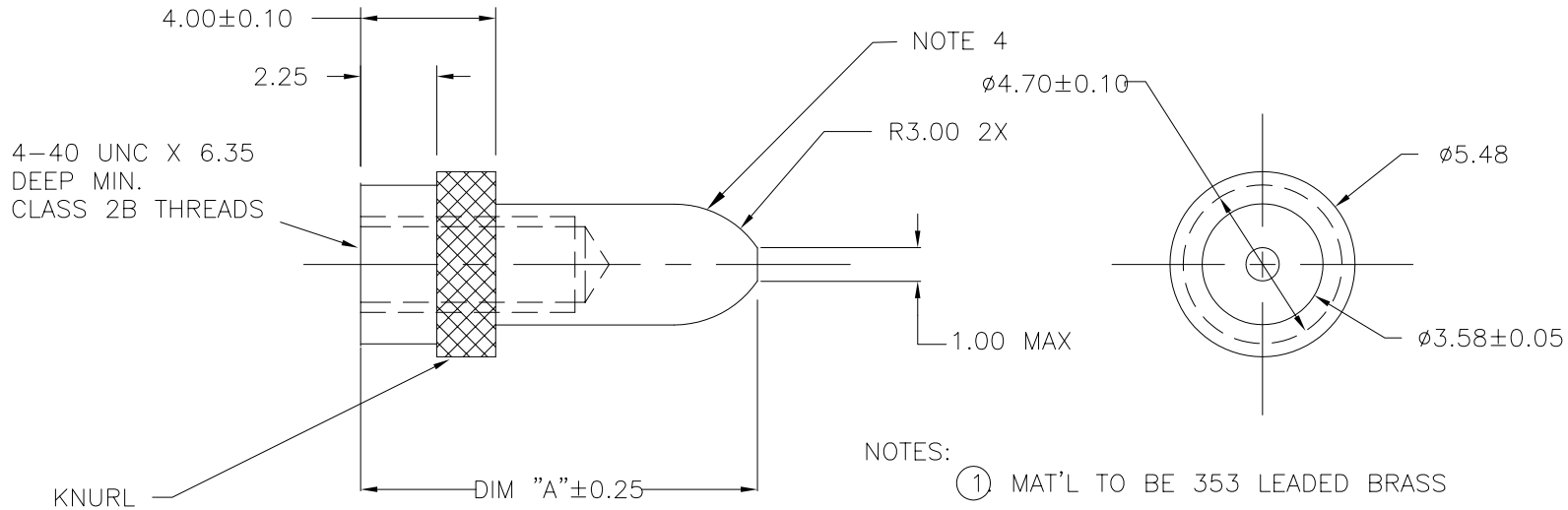
Tel: +86-755-8981 8866 Fax: +86-755-8427 6832

Email & Skype: info@chipsmall.com Web: www.chipsmall.com

Address: A1208, Overseas Decoration Building, #122 Zhenhua RD., Futian, Shenzhen, China



| PART NUMBER | SPECIAL PACKAGING (5) | DIM "A" |
|-------------|-----------------------|---------|
| 63786-001 | ---- | 11.50 |
| 63786-002 | 63786-002SP | 32.00 |
| 63786-004 | ---- | 14.50 |
| 63786-005 | ---- | 16.00 |
| 63786-006 | 63786-006SP | 24.00 |
| 63786-007 | ---- | 28.90 |
| 63786-008 | ---- | 13.00 |



NOTES:

- ① MAT'L TO BE 353 LEADED BRASS
2. PLATING: 30u"/.80um Au OVER
50u"/1.30um Ni
3. UNSPECIFIED ANGLES 45°
- ④ R3mm IS TANGENT TO Ø3.60mm SURFACE.
- ⑤ SP = SPECIAL PACKAGING @ 10 PCS PER PACKAGE

| | | | | | | | | | |
|-------------|----------|------------|----------|---------------------|---------------------------------------|------------|---------------------------------------|----------------|--|
| mat'l. code | | surface | | tolerance | | projection | | product family | |
| NOTE 1 | | ISO 1302 ✓ | | ISO 406 ISO 1101 | | ⊕ | | METRAL (tm) | |
| ltr | ecn | no | dr | date | tolerances unless otherwise specified | | title | | |
| A | V94312 | MDF | 11/4/98 | 11/4/98 | angles | linear | POWER PIN, ROUND TIP MODULE, 5 ROW | | |
| B | V94406 | HTB | 12/1/99 | 12/1/99 | | | MM | | |
| C | V00746 | LSS | 3/7/00 | 0'±2' | | | scale 5:1 | | |
| D | V12292 | CGD | 10/04/01 | dr | C.DAILY | 6/10/02 | dwg no | | |
| E | V21013 | CGD | 06/10/02 | enr | M.GRAY | 6/10/02 | sheet 1 of 1 size | | |
| F | V05-0666 | TAB | 07/15/05 | chr | M.GRAY | 6/10/02 | 63786 A3 | | |
| G | M06-0277 | MHT | 7/22/06 | appd | M.GRAY | 6/10/02 | type Product Customer Drawing | | |
| sheet | revision | G | | | | | | | |
| index | sheet | 1 | | | | | | | |