



Chipsmall Limited consists of a professional team with an average of over 10 year of expertise in the distribution of electronic components. Based in Hongkong, we have already established firm and mutual-benefit business relationships with customers from,Europe,America and south Asia,supplying obsolete and hard-to-find components to meet their specific needs.

With the principle of “Quality Parts,Customers Priority,Honest Operation,and Considerate Service”,our business mainly focus on the distribution of electronic components. Line cards we deal with include Microchip,ALPS,ROHM,Xilinx,Pulse,ON,Everlight and Freescale. Main products comprise IC,Modules,Potentiometer,IC Socket,Relay,Connector.Our parts cover such applications as commercial,industrial, and automotives areas.

We are looking forward to setting up business relationship with you and hope to provide you with the best service and solution. Let us make a better world for our industry!



Contact us

Tel: +86-755-8981 8866 Fax: +86-755-8427 6832

Email & Skype: info@chipsmall.com Web: www.chipsmall.com

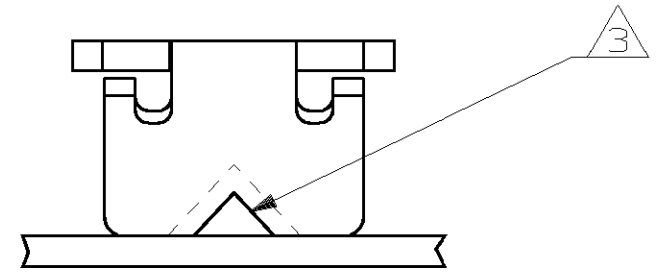
Address: A1208, Overseas Decoration Building, #122 Zhenhua RD., Futian, Shenzhen, China



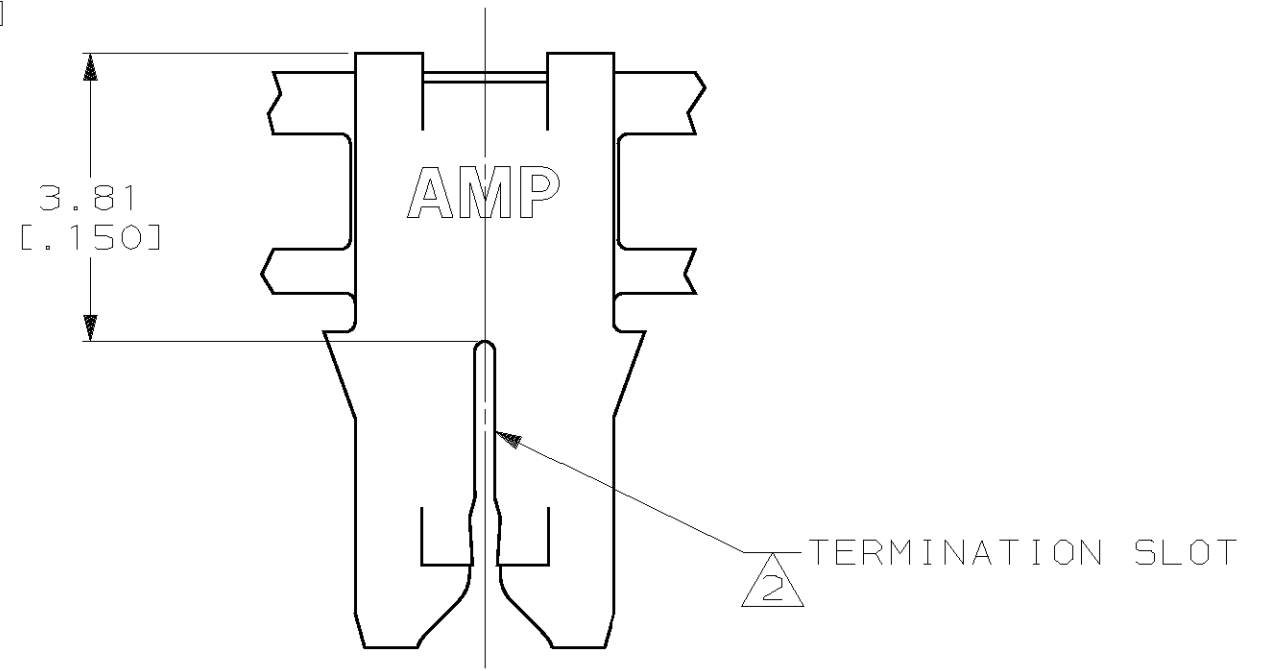
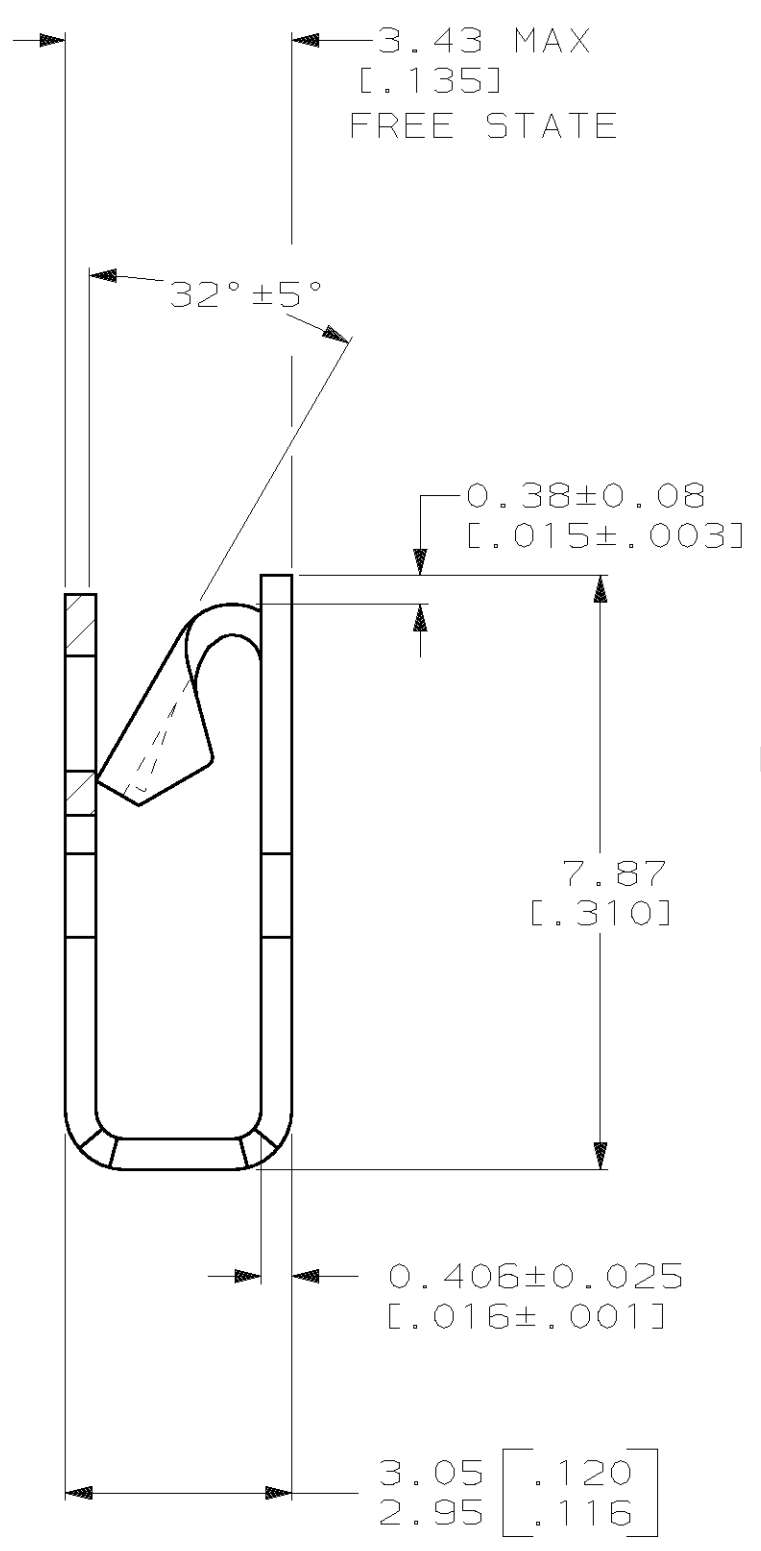
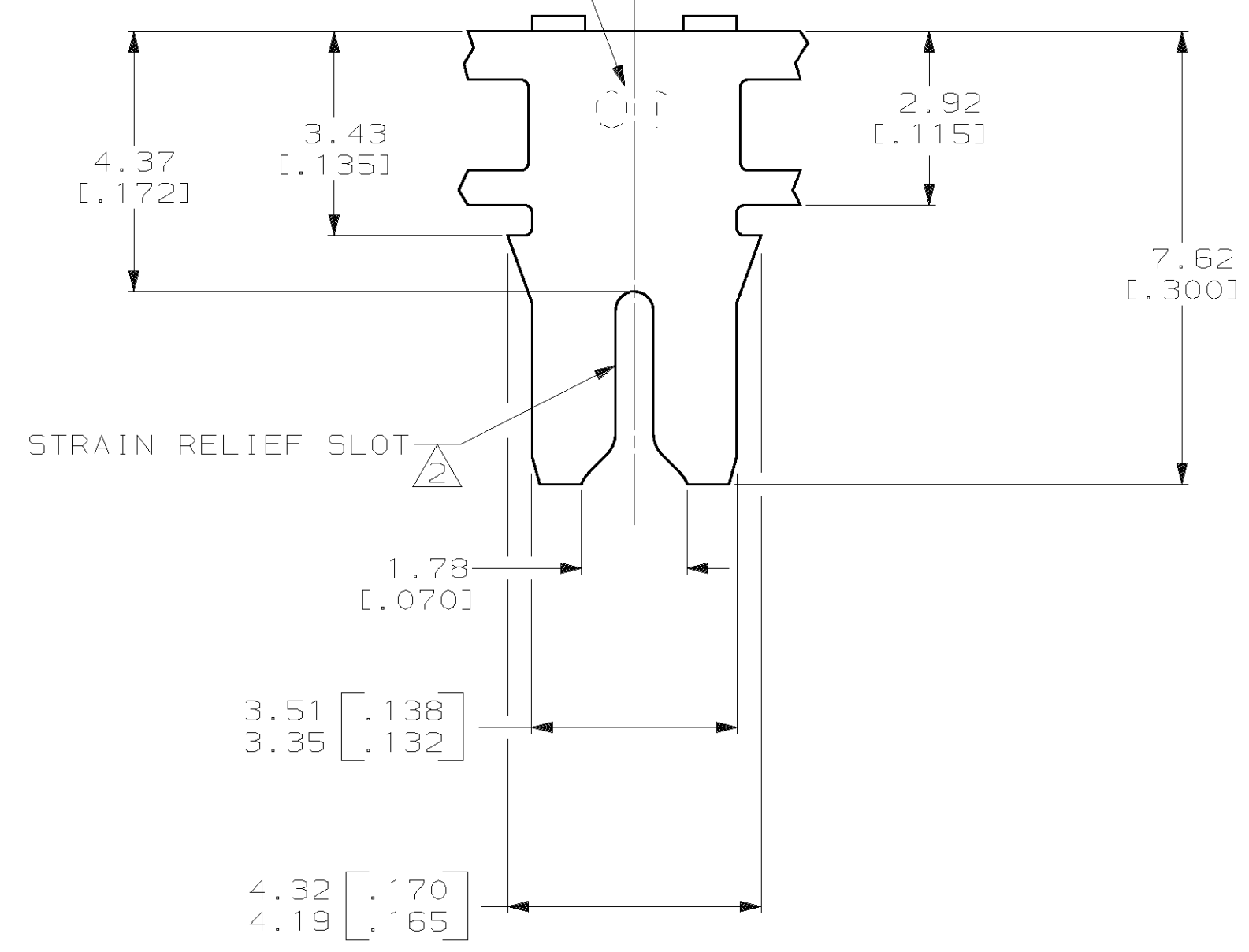
THIS DRAWING IS UNPUBLISHED. RELEASED FOR PUBLICATION, 19 .
 © COPYRIGHT 19 BY AMP INCORPORATED. ALL INTERNATIONAL RIGHTS RESERVED.

| LOC | | DIST | | P | | F | | ZONE | | LTR | | REVISIONS | | DATE | APPD |
|-----|----|------|--|---|--|---|--|------|--|-----|--|--------------------------|---------|-------|------|
| AF | 50 | | | | | | | | | A | | REVISED PER 063A-0451-00 | 24JUL00 | MF-KR | |

- 1 CONTINUOUS STRIP ON REELS WITH TERMINALS LOCATED ON 5.59±0.08 [.220±.003] CENTERS.
- 2 SLOT ACCEPTS 0.36-0.57mm [#27-#23] AWG COPPER MAGNET WIRE. A SINGLE WIRE ONLY.
- 3 POKE-IN ACCEPTS A 0.50-0.90mm² [#20-#18] AWG SOLID OR FUSED STRANDED LEAD WIRE.



IDENTIFICATION NUMBER 10 FOR MAGNET WIRE RANGE



63789-1
PART NO

| | | | | |
|---|---|---|-----------|--------------|
| DO NOT SCALE PRINT. UNLESS SPECIFIED DIMENSIONS IN mm [INCHES] TOLERANCES ON: 2 PLC DEC ± 0.25 [.010] 3 PLC DEC ± - ANGLES ± - | DR 2/JUN/94 RAYMOND R. BUCHHEISTER JR. | AMP Incorporated Harrisburg, PA 17105-3608 | | |
| | CHK 2/JUN/94 MICHAEL S. FEHER | | | NAME |
| MATERIAL 4M BRASS | APPD 2/JUN/94 KURT A. RANDOLPH | TERMINAL, POKE-IN, 300 SERIES MAG-MATE™ | | |
| FINISH 0.002032 [.000080] MIN TIN PLATE | APPD 2/JUN/94 TERRY L. SHUTTER | | | |
| | PRODUCT SPEC 108-2012 | SIZE | CAGE CODE | DRAWING NO |
| | APPLICATION SPEC 114-2046 | C | 00779 | C=63789 |
| | WEIGHT - | SCALE 10:1 | | SHEET 1 OF 1 |

THIS DRAWING IS A CONTROLLED DOCUMENT FOR AMP INCORPORATED. IT IS SUBJECT TO CHANGE AND THE CONTROLLING ENGINEERING ORGANIZATION SHOULD BE CONTACTED FOR THE LATEST REVISION.