



Chipsmall Limited consists of a professional team with an average of over 10 year of expertise in the distribution of electronic components. Based in Hongkong, we have already established firm and mutual-benefit business relationships with customers from,Europe,America and south Asia,supplying obsolete and hard-to-find components to meet their specific needs.

With the principle of “Quality Parts,Customers Priority,Honest Operation,and Considerate Service”,our business mainly focus on the distribution of electronic components. Line cards we deal with include Microchip,ALPS,ROHM,Xilinx,Pulse,ON,Everlight and Freescale. Main products comprise IC,Modules,Potentiometer,IC Socket,Relay,Connector.Our parts cover such applications as commercial,industrial, and automotives areas.

We are looking forward to setting up business relationship with you and hope to provide you with the best service and solution. Let us make a better world for our industry!



Contact us

Tel: +86-755-8981 8866 Fax: +86-755-8427 6832

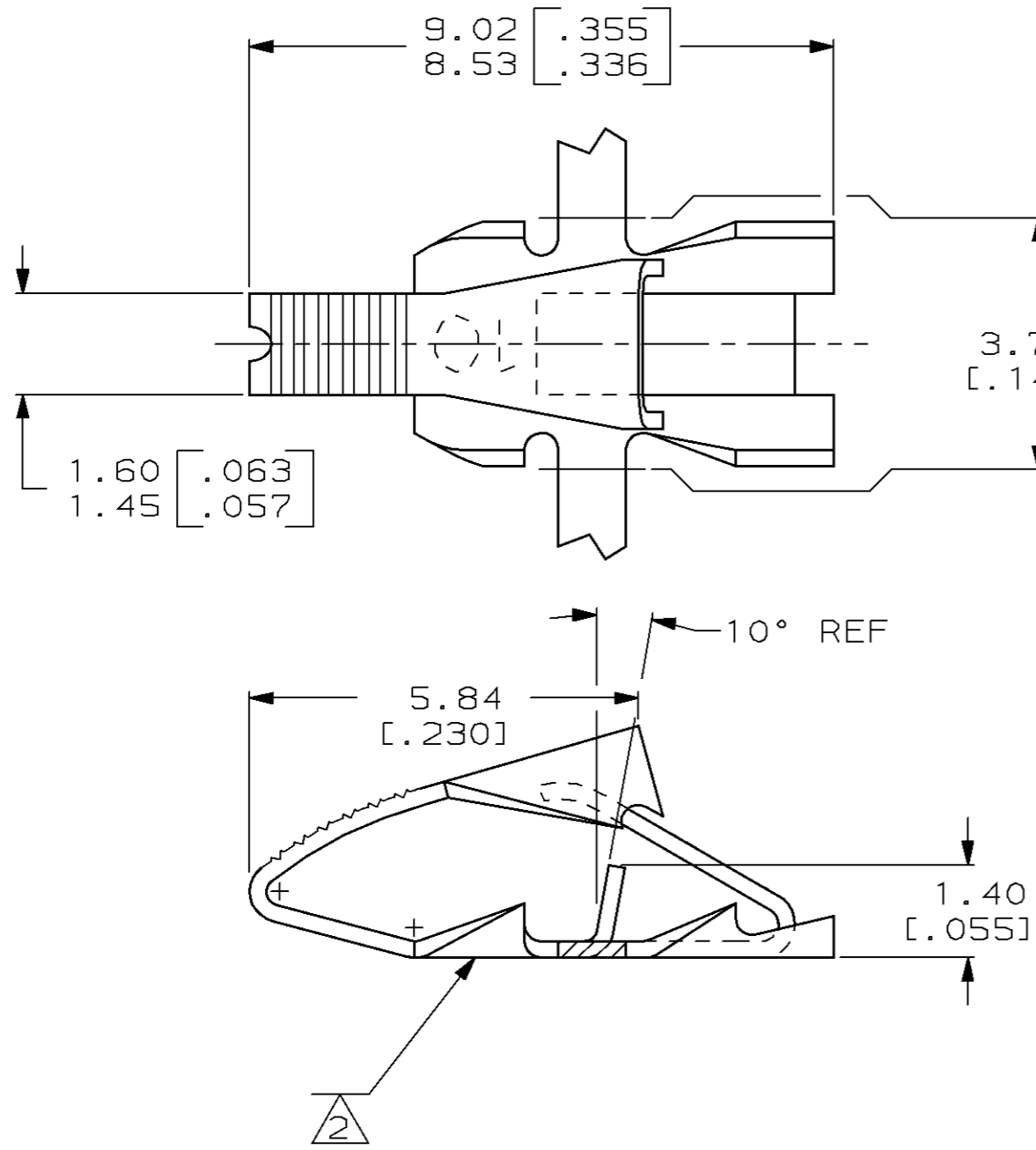
Email & Skype: info@chipsmall.com Web: www.chipsmall.com

Address: A1208, Overseas Decoration Building, #122 Zhenhua RD., Futian, Shenzhen, China

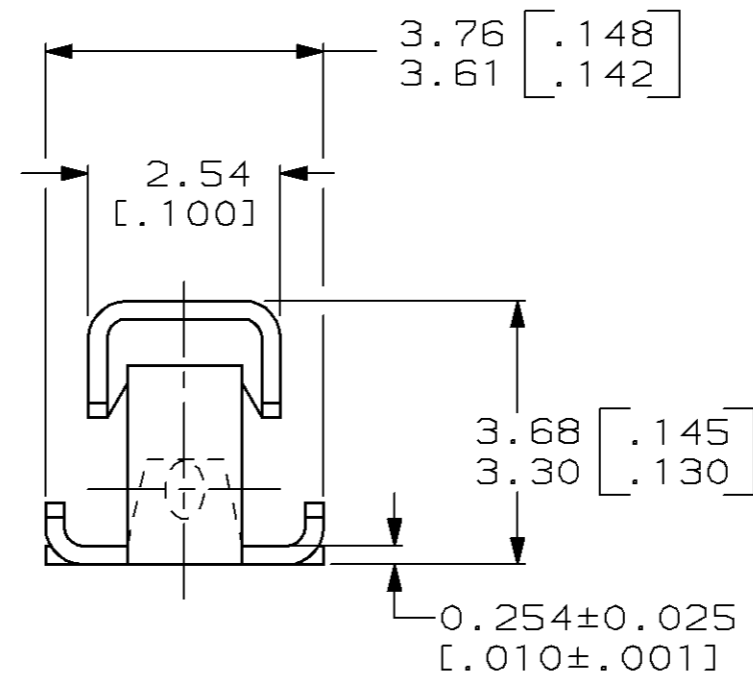


THIS DRAWING IS UNPUBLISHED. RELEASED FOR PUBLICATION, 19 .
 © COPYRIGHT 19 BY AMP INCORPORATED. ALL INTERNATIONAL RIGHTS RESERVED.

LOC	DIST	P	F	REVISIONS				
				ZONE	LTR	DESCRIPTION	DATE	APPD
AF	50				B	REVISE PER ECN 0G1A-0178-98	07AUG98	SU/KR



- 1 CONTINUOUS STRIP ON REELS WITH TERMINALS LOCATED ON 6.10±0.08 [.240±.003] CENTERS.
- 2 IDENTIFICATION NUMBER (10) FOR MAGNET WIRE RANGE.



PROPOSED DESIGN
 NOT RELEASED FOR
 PRODUCTION

THIS DRAWING IS A CONTROLLED DOCUMENT FOR AMP INCORPORATED. IT IS SUBJECT TO CHANGE AND THE CONTROLLING ENGINEERING ORGANIZATION SHOULD BE CONTACTED FOR THE LATEST REVISION.

0.05-0.13mm [#44-#36] AWG		63795-1	
COPPER MAGNET WIRE RANGE		PART NUMBER	
DO NOT SCALE PRINT, UNLESS SPECIFIED. DIMENSIONS IN mm [INCHES]. TOLERANCES ON: 2 PLC DEC ± 0.25 [.010] 3 PLC DEC ± - ANGLES ± -		AMP AMP Incorporated Harrisburg, PA 17105-3608	
MATERIAL H02 BRASS		NAME TERMINAL, POKE-IN, MINI MAG-MATE™	
FINISH 0.002032 [.000080] MIN TIN PER MIL-T-10727		SIZE B	
DR 15/JUN/94 MICHAEL S. FEHER CHK 15/JUN/94 JEFF R. RUTH APPD 15/JUN/94 ALEX HUNT III APPD 15/JUN/94 TERRY L. SHUTTER PRODUCT SPEC 108-2016		CAGE CODE 00779	
APPLICATION SPEC 114-2047		DRAWING NO C-63795	
WEIGHT -		SCALE 10:1	
		SHEET 1 OF 1	