



Chipsmall Limited consists of a professional team with an average of over 10 year of expertise in the distribution of electronic components. Based in Hongkong, we have already established firm and mutual-benefit business relationships with customers from,Europe,America and south Asia,supplying obsolete and hard-to-find components to meet their specific needs.

With the principle of “Quality Parts,Customers Priority,Honest Operation,and Considerate Service”,our business mainly focus on the distribution of electronic components. Line cards we deal with include Microchip,ALPS,ROHM,Xilinx,Pulse,ON,Everlight and Freescale. Main products comprise IC,Modules,Potentiometer,IC Socket,Relay,Connector.Our parts cover such applications as commercial,industrial, and automotives areas.

We are looking forward to setting up business relationship with you and hope to provide you with the best service and solution. Let us make a better world for our industry!



Contact us

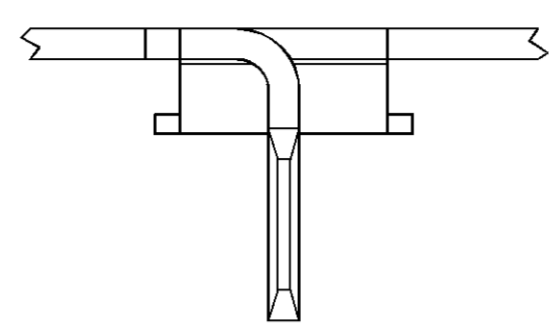
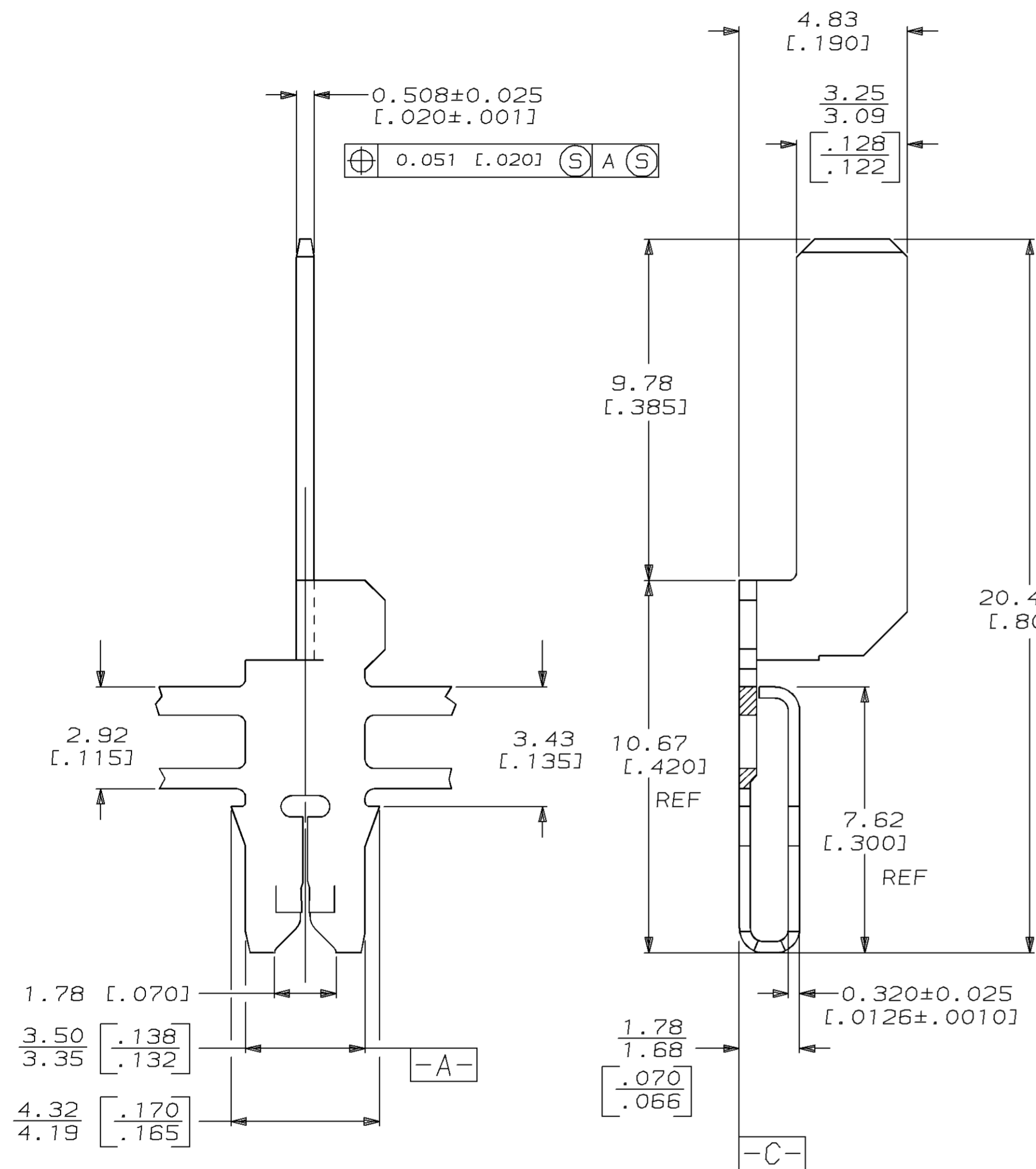
Tel: +86-755-8981 8866 Fax: +86-755-8427 6832

Email & Skype: info@chipsmall.com Web: www.chipsmall.com

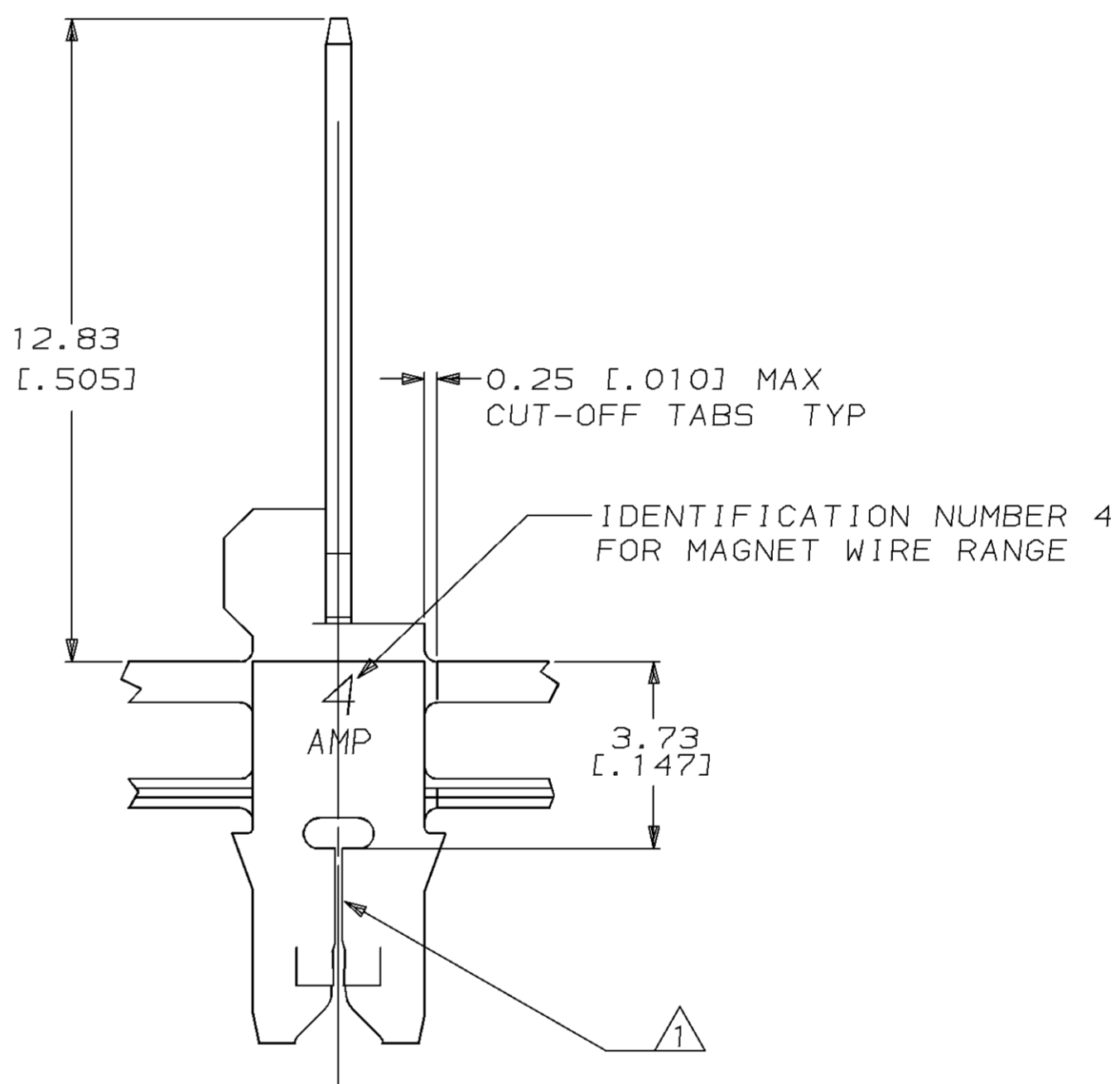
Address: A1208, Overseas Decoration Building, #122 Zhenhua RD., Futian, Shenzhen, China



LOC		DIST		P		F		ZONE		LTR		REVISIONS		DATE	APPD
AF	50												DESCRIPTION	11/DEC/95	RG/NN
												C	REV PER 0710-0522-95		



- 1 SLOT TERMINATES 0.18-0.23mm [#33-#31] AWG COPPER MAGNET WIRE EITHER SINGLE OR DOUBLE OF THE SAME SIZE.
- 2 CONTINUOUS STRIP ON REELS WITH TERMINALS LOCATED ON 8.38±0.08 [.330±.003] CENTERS.



63806-1
PART NO

DO NOT SCALE PRINT. UNLESS SPECIFIED DIMENSIONS IN mm [INCHES] TOLERANCES ON: 2 PLC DEC ± 0.25 [.010] 3 PLC DEC ± - ANGLES ± -		DR 19/SEP/94 MICHAEL S. FEHER		AMP Incorporated Harrisburg, PA 17105-3608	
MATERIAL #4M PRE-MILLED BRASS		CHK 21/SEP/94 JEFF R. RUTH			
FINISH 0.002032 [.000080] MIN TIN PER MIL-T-10727		APPD 21/SEP/94 NELSON E. NEFF		NAME TERMINAL, TAB, 3.18 [.125], MAG-MATE™	
THIS DRAWING IS A CONTROLLED DOCUMENT FOR AMP INCORPORATED. IT IS SUBJECT TO CHANGE AND THE CONTROLLING ENGINEERING ORGANIZATION SHOULD BE CONTACTED FOR THE LATEST REVISION.		APPD 21/SEP/94 TERRY L. SHUTTER		DRAWING NO G=63806	
		PRODUCT SPEC 108-2012		SIZE C 00779	
		APPLICATION SPEC 114-2046		CAGE CODE 00779	
		WEIGHT -		DRAWING NO G=63806	
				SCALE 8:1	
				SHEET 1 OF 1	