



Chipsmall Limited consists of a professional team with an average of over 10 year of expertise in the distribution of electronic components. Based in Hongkong, we have already established firm and mutual-benefit business relationships with customers from,Europe,America and south Asia,supplying obsolete and hard-to-find components to meet their specific needs.

With the principle of “Quality Parts,Customers Priority,Honest Operation,and Considerate Service”,our business mainly focus on the distribution of electronic components. Line cards we deal with include Microchip,ALPS,ROHM,Xilinx,Pulse,ON,Everlight and Freescale. Main products comprise IC,Modules,Potentiometer,IC Socket,Relay,Connector.Our parts cover such applications as commercial,industrial, and automotives areas.

We are looking forward to setting up business relationship with you and hope to provide you with the best service and solution. Let us make a better world for our industry!



Contact us

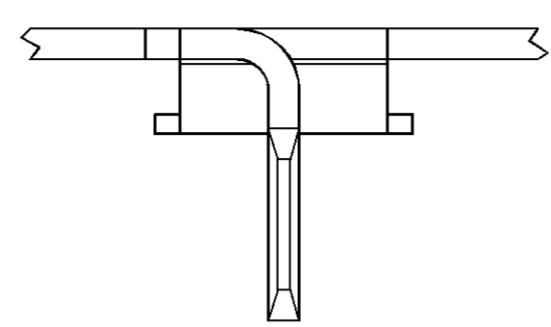
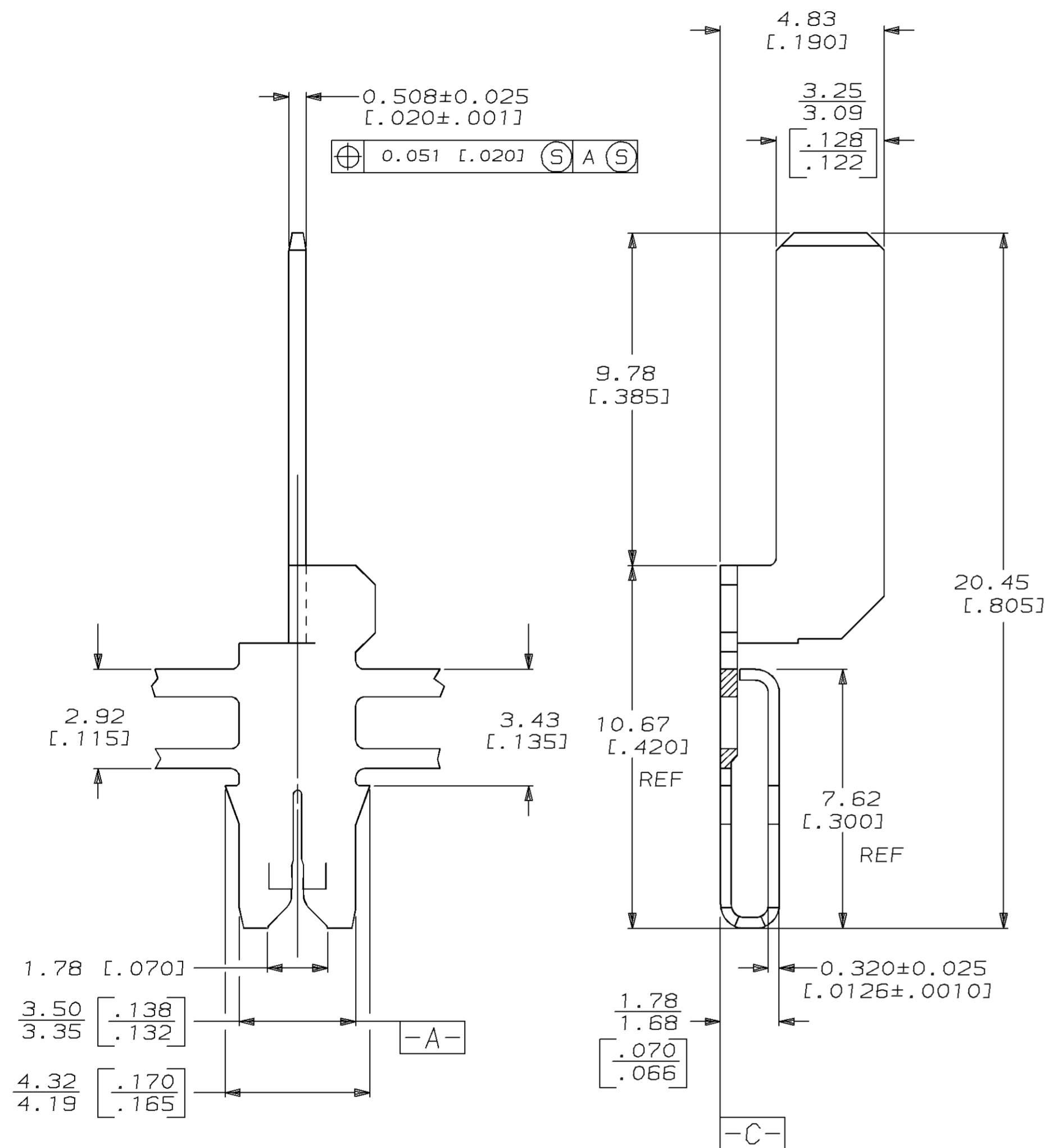
Tel: +86-755-8981 8866 Fax: +86-755-8427 6832

Email & Skype: info@chipsmall.com Web: www.chipsmall.com

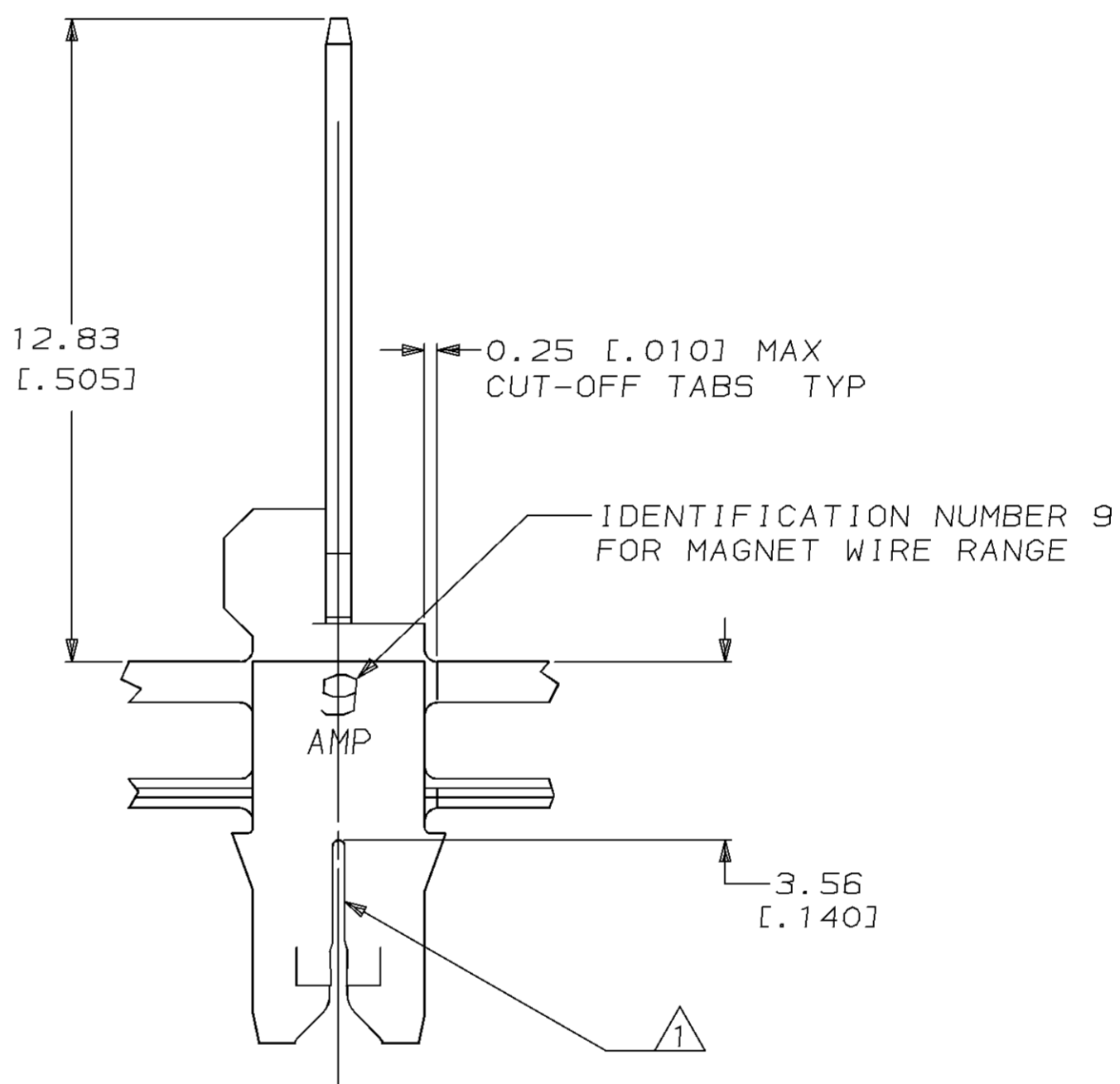
Address: A1208, Overseas Decoration Building, #122 Zhenhua RD., Futian, Shenzhen, China



LOC	DIST	P	F	ZONE	LTR	DESCRIPTION	DATE	APPD
AF	50				C	REV PER 0710-0522-95	11/DEC/95	RG/NN



- 1 SLOT TERMINATES 0.36-0.50mm [#27-#24] AWG COPPER MAGNET WIRE EITHER SINGLE OR DOUBLE OF THE SAME SIZE.
- 2 CONTINUOUS STRIP ON REELS WITH TERMINALS LOCATED ON 8.38±0.08 [.330±.003] CENTERS.



DO NOT SCALE PRINT. UNLESS SPECIFIED DIMENSIONS IN mm [INCHES] TOLERANCES ON :		DR 19/SEP/94 MICHAEL S. FEHER		AMP Incorporated Harrisburg, PA 17105-3608		
2 PLC DEC ± 0.25 [.010]		CHK 21/SEP/94 JEFF R. RUTH				
3 PLC DEC ± -		APPD 21/SEP/94 NELSON E. NEFF		NAME		
ANGLES ± -		APPD 21/SEP/94 TERRY L. SHUTTER		TERMINAL, TAB, 3.18 [.125], MAG-MATE™		
MATERIAL		PRODUCT SPEC				
#4M PRE-MILLED BRASS		108-2012		SIZE	CAGE CODE	DRAWING NO
FINISH		APPLICATION SPEC		C	00779	C=63808
0.002032 [.000080]		114-2046		SCALE	8:1	SHEET
MIN TIN PER		WEIGHT -		1 OF 1		
MIL-T-10727				CUSTOMER DRAWING		

THIS DRAWING IS A CONTROLLED DOCUMENT FOR AMP INCORPORATED. IT IS SUBJECT TO CHANGE AND THE CONTROLLING ENGINEERING ORGANIZATION SHOULD BE CONTACTED FOR THE LATEST REVISION.