



Chipsmall Limited consists of a professional team with an average of over 10 year of expertise in the distribution of electronic components. Based in Hongkong, we have already established firm and mutual-benefit business relationships with customers from,Europe,America and south Asia,supplying obsolete and hard-to-find components to meet their specific needs.

With the principle of “Quality Parts,Customers Priority,Honest Operation,and Considerate Service”,our business mainly focus on the distribution of electronic components. Line cards we deal with include Microchip,ALPS,ROHM,Xilinx,Pulse,ON,Everlight and Freescale. Main products comprise IC,Modules,Potentiometer,IC Socket,Relay,Connector.Our parts cover such applications as commercial,industrial, and automotives areas.

We are looking forward to setting up business relationship with you and hope to provide you with the best service and solution. Let us make a better world for our industry!



## Contact us

Tel: +86-755-8981 8866 Fax: +86-755-8427 6832

Email & Skype: info@chipsmall.com Web: www.chipsmall.com

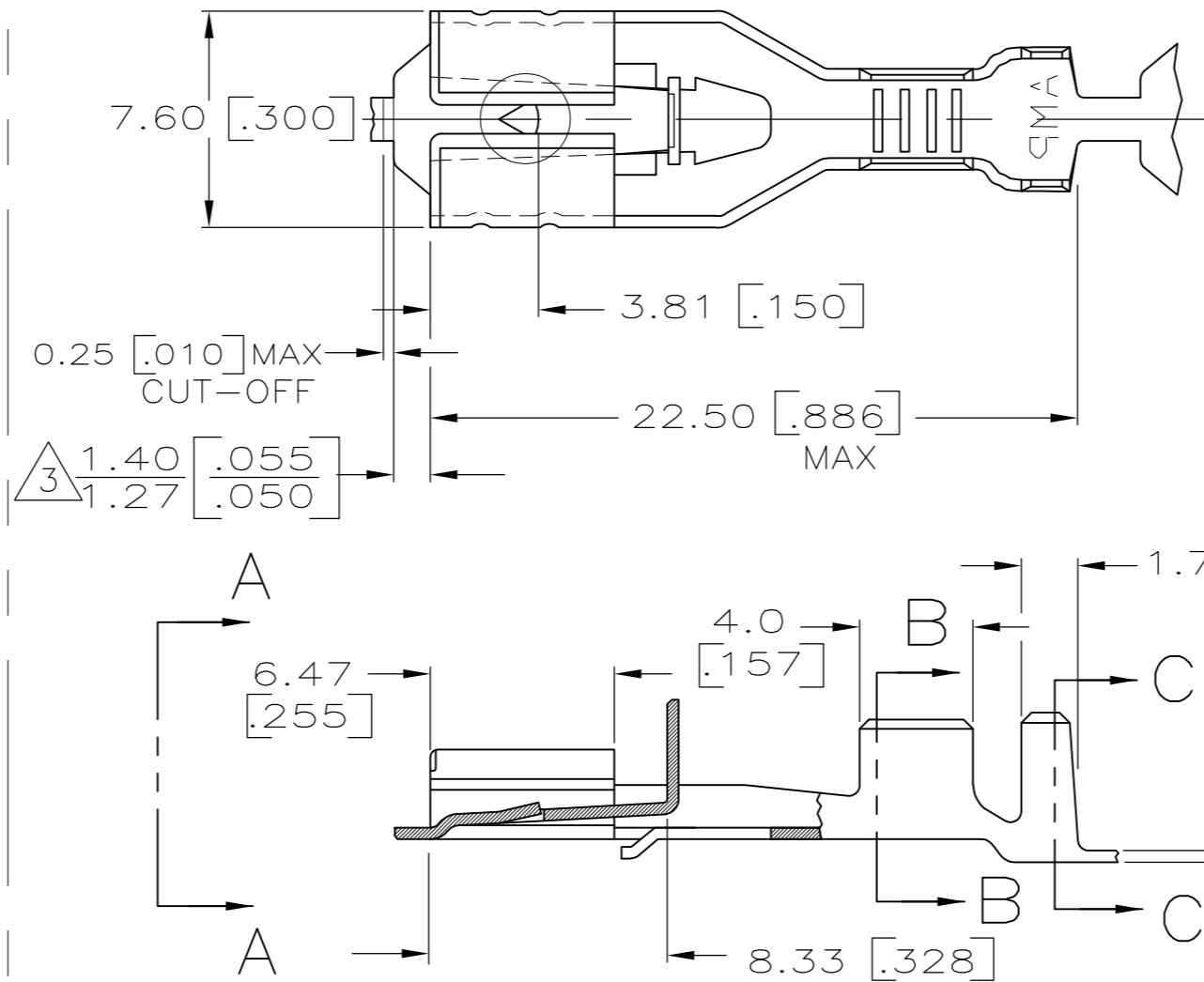
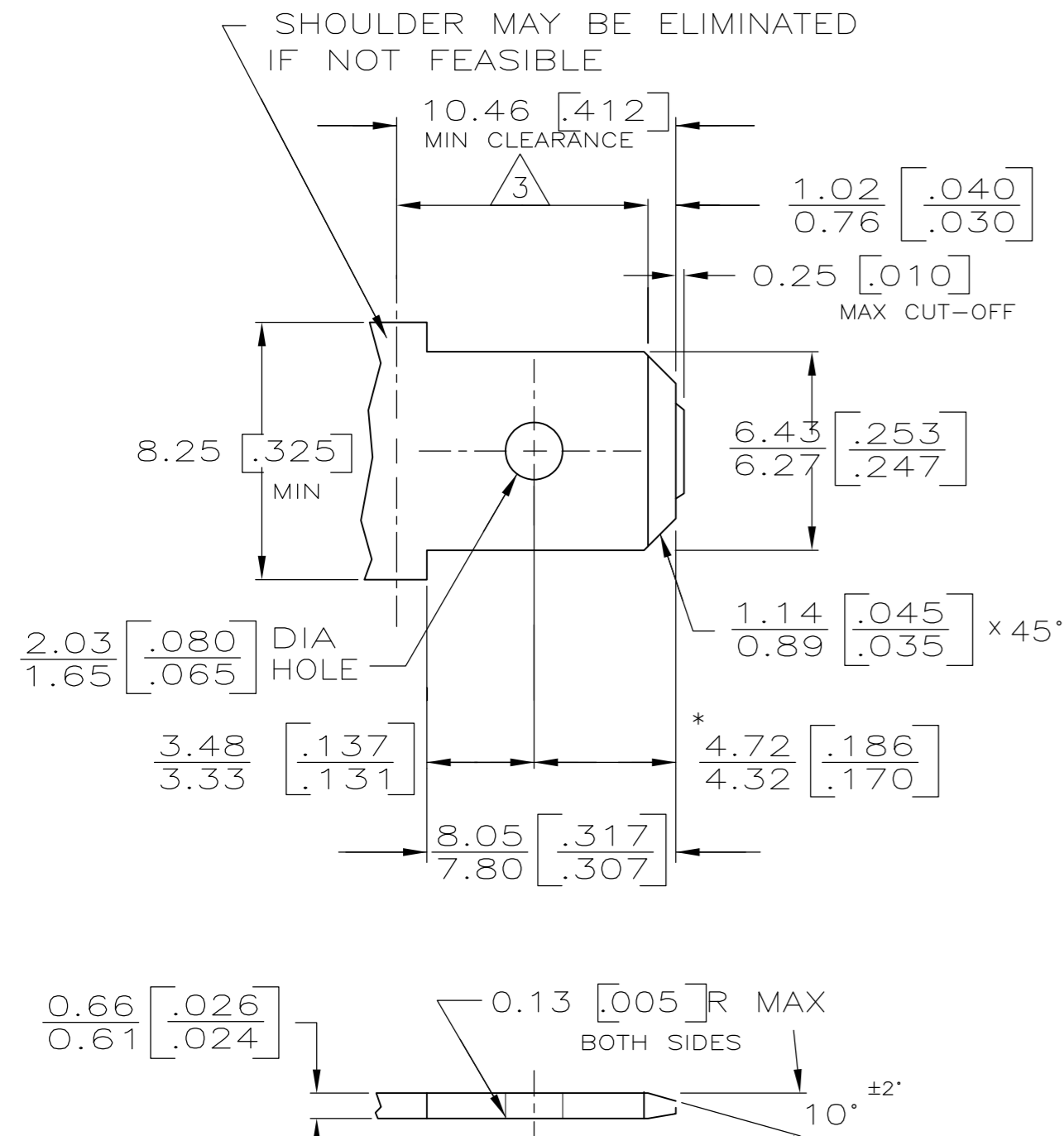
Address: A1208, Overseas Decoration Building, #122 Zhenhua RD., Futian, Shenzhen, China



THIS DRAWING IS UNPUBLISHED. RELEASED FOR PUBLICATION  
 © COPYRIGHT - By - ALL RIGHTS RESERVED.

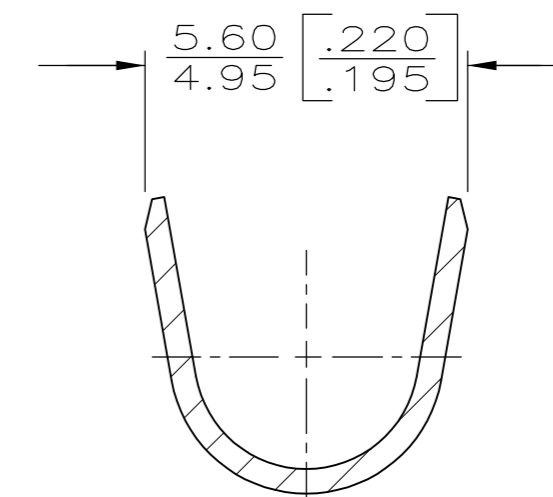
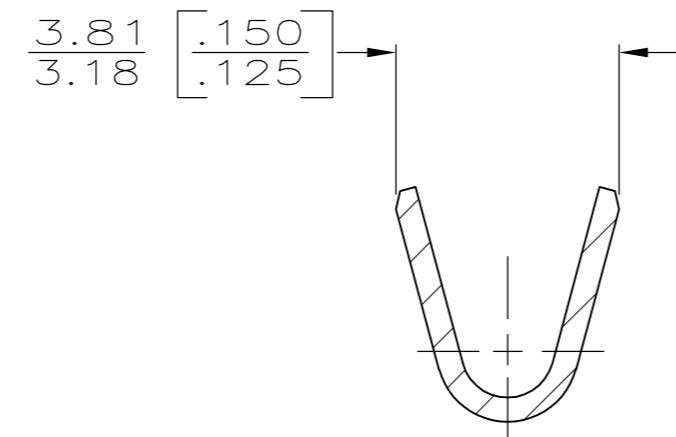
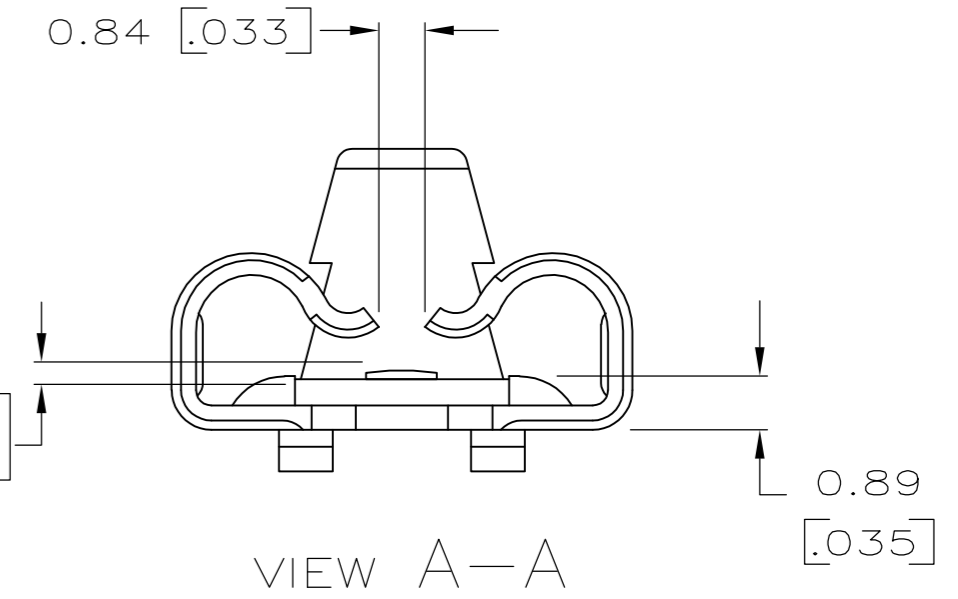
LOC	DIST	REVISIONS			
P	LTR	DESCRIPTION	DATE	DWN	APVD
AF	50				
		D	REVISED PER ECR-12-013486	10JAN13	KH KR

# SUGGESTED MATING TAB



2 CONTINUOUS STRIP ON REELS.

△3 THE 1.40 [.055] / 1.27 [.050] DIMENSION MUST BE MAINTAINED BY THE APPLICATOR CUT-OFF TO ENSURE THE PROPER LOCKING FUNCTION OF THE RECEPTACLE.



- 1 MATL: 1/2 H BRASS OR NICKEL PL STEEL.
- 2 NO BURRS PERMISSIBLE AT HOLE.
- △3 MUST BE FLAT WITHIN 0.076 [.003] OVER THIS LENGTH.
- 4 TIN PLATING IS REQUIRED ON BRASS WHEN TERMINAL TEMP. IS OVER 225°F
- 5 HOLE MUST BE SYMMETRICAL ABOUT TAB Q WITHIN 0.076 [.003]
- \* TO BE USED ONLY WHEN SHOULDER IS ELIMINATED.

2.29-3.94 [.090-.155] DIA	[#18-#14] AWG	63809-1
INSULATION RANGE	WIRE SIZE	PART NO.

THIS DRAWING IS A CONTROLLED DOCUMENT.		DWN	JR RUTH	9/27/94		TE Connectivity													
DIMENSIONS: mm [INCHES]		CHK	MS FEHER	9/27/94		NAME													
TOLERANCES UNLESS OTHERWISE SPECIFIED:		APVD	R KUZO	9/27/94		RECEPTACLE, POSITIVE LOCK, 6.35 [.250] SERIES													
<table border="1"> <tr><td>0 PLC</td><td>± -</td></tr> <tr><td>1 PLC</td><td>± -</td></tr> <tr><td>2 PLC</td><td>± 0.25 [.010]</td></tr> <tr><td>3 PLC</td><td>± -</td></tr> <tr><td>4 PLC</td><td>± -</td></tr> <tr><td>ANGLES</td><td>± -</td></tr> </table>		0 PLC	± -	1 PLC		± -	2 PLC	± 0.25 [.010]	3 PLC	± -	4 PLC	± -	ANGLES	± -	PRODUCT SPEC		APPLICATION SPEC		RESTRICTED TO
0 PLC	± -																		
1 PLC	± -																		
2 PLC	± 0.25 [.010]																		
3 PLC	± -																		
4 PLC	± -																		
ANGLES	± -																		
MATERIAL	BRASS	FINISH	TIN PLATE	114-2074	SIZE	A2	CAGE CODE	00779	DRAWING NO	C=63809	SCALE	5:1	SHEET	1 OF 1	REV	D			
CUSTOMER DRAWING										SCALE 5:1		SHEET 1 OF 1		REV D					