



Chipsmall Limited consists of a professional team with an average of over 10 year of expertise in the distribution of electronic components. Based in Hongkong, we have already established firm and mutual-benefit business relationships with customers from,Europe,America and south Asia,supplying obsolete and hard-to-find components to meet their specific needs.

With the principle of “Quality Parts,Customers Priority,Honest Operation,and Considerate Service”,our business mainly focus on the distribution of electronic components. Line cards we deal with include Microchip,ALPS,ROHM,Xilinx,Pulse,ON,Everlight and Freescale. Main products comprise IC,Modules,Potentiometer,IC Socket,Relay,Connector.Our parts cover such applications as commercial,industrial, and automotives areas.

We are looking forward to setting up business relationship with you and hope to provide you with the best service and solution. Let us make a better world for our industry!



Contact us

Tel: +86-755-8981 8866 Fax: +86-755-8427 6832

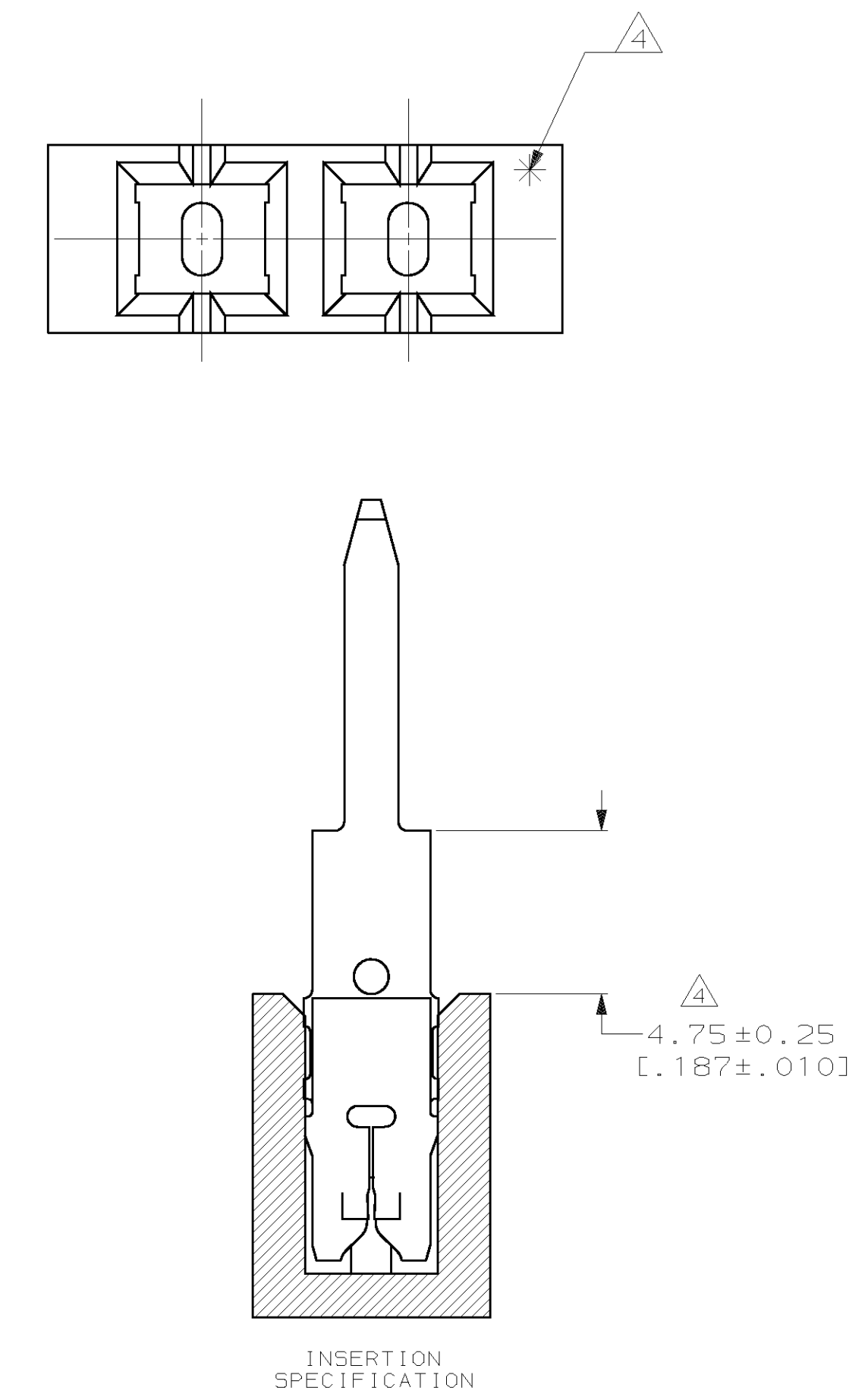
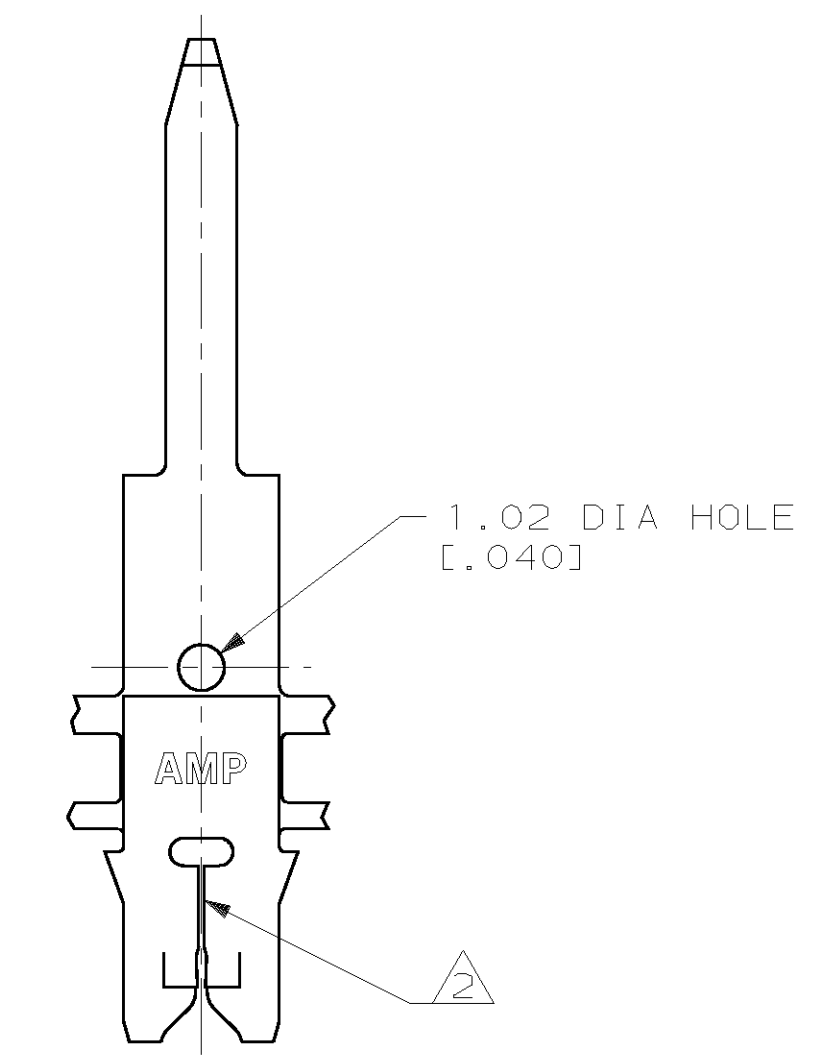
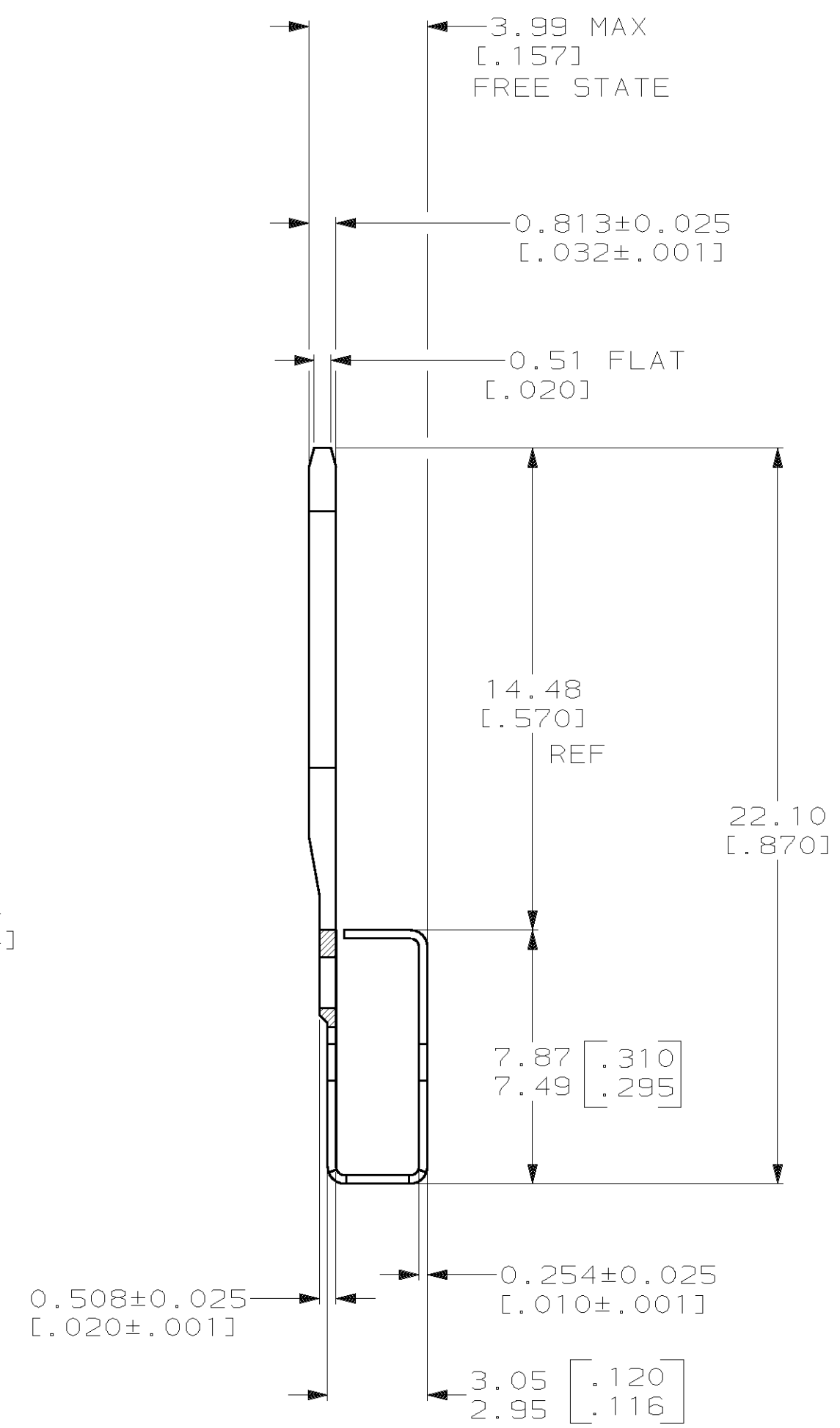
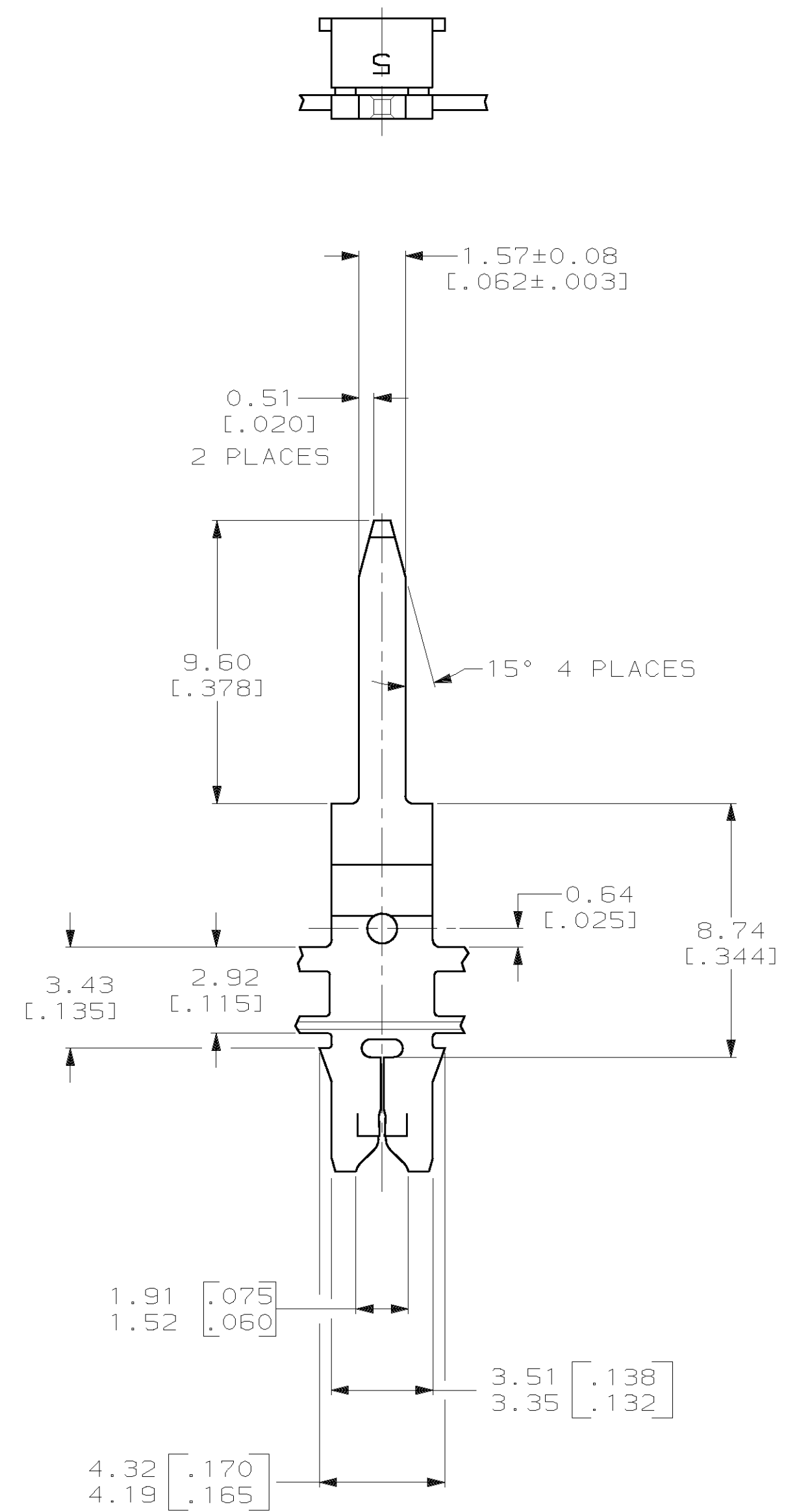
Email & Skype: info@chipsmall.com Web: www.chipsmall.com

Address: A1208, Overseas Decoration Building, #122 Zhenhua RD., Futian, Shenzhen, China



LOC		DIST		P		ZONE		LTR		REVISIONS		DATE	APPD
AF	50									E	REVISED PER 063A-0035-99	30 JUN 99	MF-KR

- 1 CONTINUOUS STRIP ON REELS WITH TERMINALS LOCATED ON 6.00±0.08 [.236±.003] CENTERS.
- 2 SLOT TERMINATES EITHER A SINGLE OR DOUBLE MAGNET WIRE OF THE SAME TYPE AND SIZE, COPPER 0.23mm [#31] AWG.
- 3 AFTER INSERTION INTO PLASTIC HOLDER, TAB PORTION MUST BE BENT OVER 45° TO 90° OR POTTED-IN TO PREVENT PULL-OUT WHEN MATING RECEPTACLE IS DISCONNECTED.
- 4 POINT OF MEASUREMENT LOCATED APPROXIMATELY AS SHOWN



THIS DRAWING IS A CONTROLLED DOCUMENT FOR AMP INCORPORATED. IT IS SUBJECT TO CHANGE AND THE CONTROLLING ENGINEERING ORGANIZATION SHOULD BE CONTACTED FOR THE LATEST REVISION.

DO NOT SCALE PRINT. UNLESS SPECIFIED DIMENSIONS IN mm [INCHES] TOLERANCES ON:		DR 2/JAN/95 R.GRZYBOWSKI		AMP Incorporated Harrisburg, PA 17105-3508	
2 PLC DEC ± 0.15[.006]		CHK 2/JAN/95 M.S.FEHER			
3 PLC DEC ± -		APPD 2/JAN/95 N.E.NEFF		NAME	
ANGLES ± -		APPD 2/JAN/95 T.L.SHUTTER		TAB, 1.57[.062], 300 SERIES MAG-MATE™	
MATERIAL		PRODUCT SPEC		SIZE	
4M PRE-MILLED BRASS		108-2012		D 00779 C-63810	
FINISH		APPLICATION SPEC		CAGE CODE	
0.002032[.000080] MIN TIN		114-2046		DRAWING NO	
WEIGHT		-		SCALE	
				6:1	
				SHEET	
				1 OF 1	

63810-1
PART NO