



Chipsmall Limited consists of a professional team with an average of over 10 year of expertise in the distribution of electronic components. Based in Hongkong, we have already established firm and mutual-benefit business relationships with customers from,Europe,America and south Asia,supplying obsolete and hard-to-find components to meet their specific needs.

With the principle of “Quality Parts,Customers Priority,Honest Operation,and Considerate Service”,our business mainly focus on the distribution of electronic components. Line cards we deal with include Microchip,ALPS,ROHM,Xilinx,Pulse,ON,Everlight and Freescale. Main products comprise IC,Modules,Potentiometer,IC Socket,Relay,Connector.Our parts cover such applications as commercial,industrial, and automotives areas.

We are looking forward to setting up business relationship with you and hope to provide you with the best service and solution. Let us make a better world for our industry!



Contact us

Tel: +86-755-8981 8866 Fax: +86-755-8427 6832

Email & Skype: info@chipsmall.com Web: www.chipsmall.com

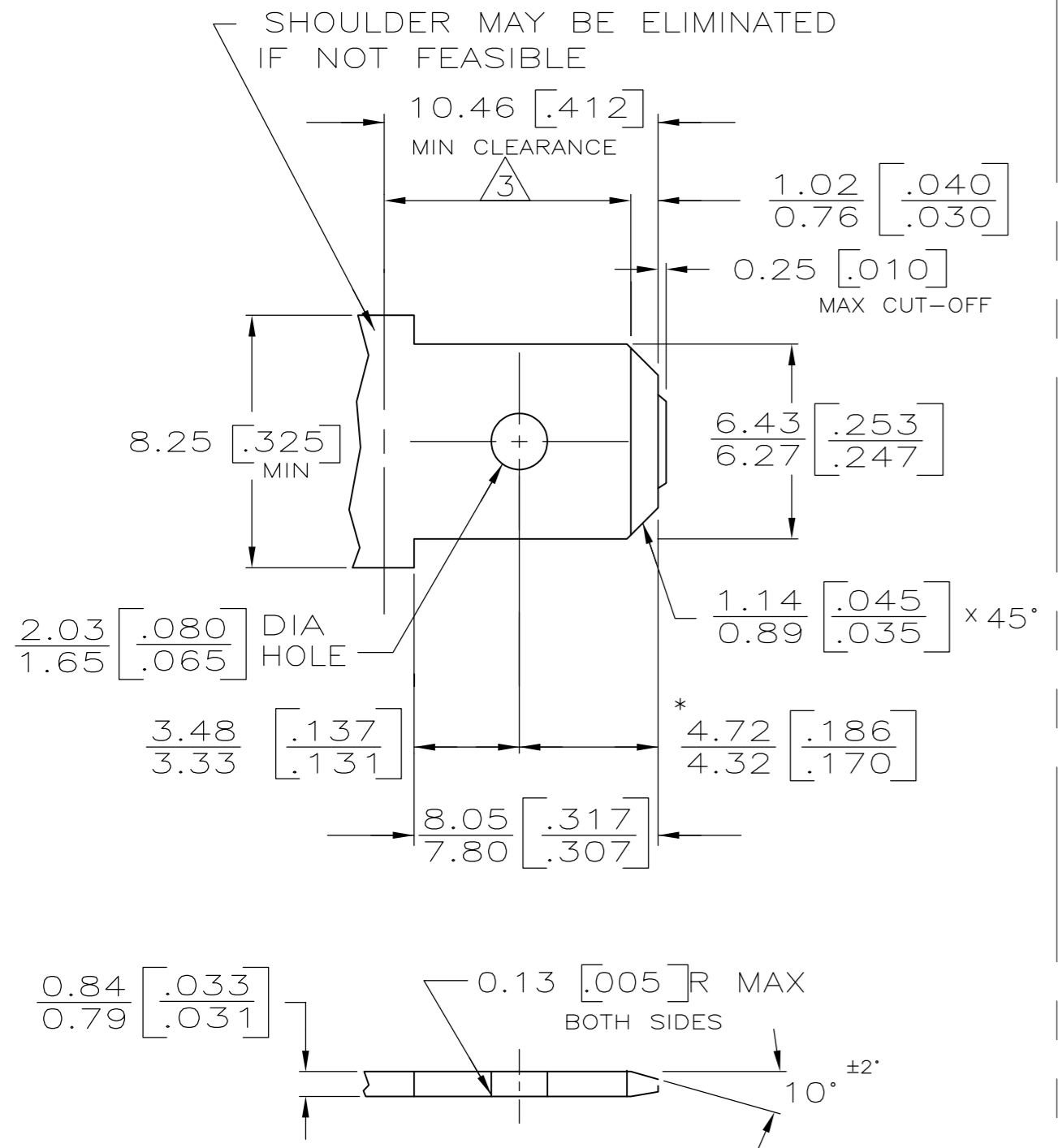
Address: A1208, Overseas Decoration Building, #122 Zhenhua RD., Futian, Shenzhen, China



THIS DRAWING IS UNPUBLISHED. RELEASED FOR PUBLICATION
 © COPYRIGHT - By - ALL RIGHTS RESERVED.

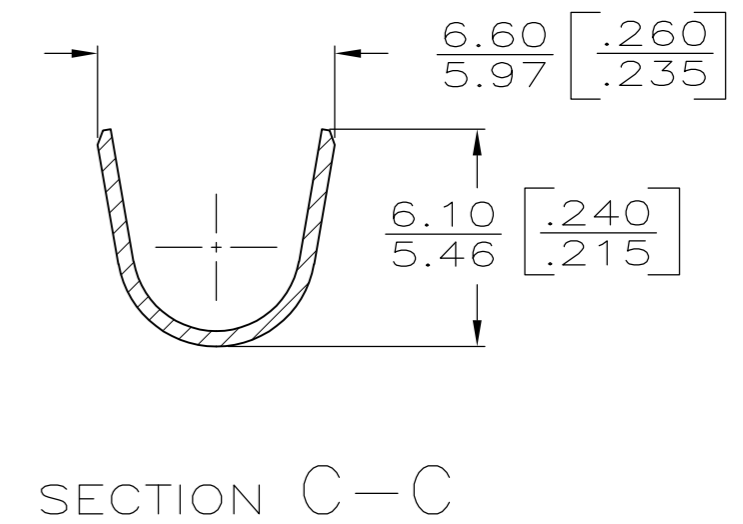
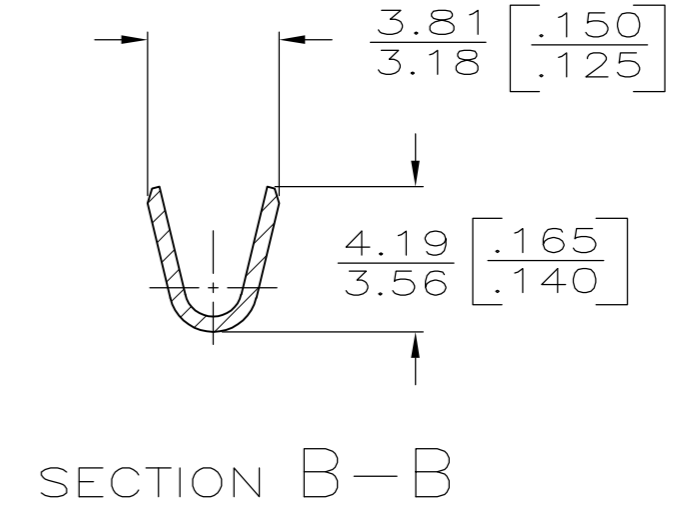
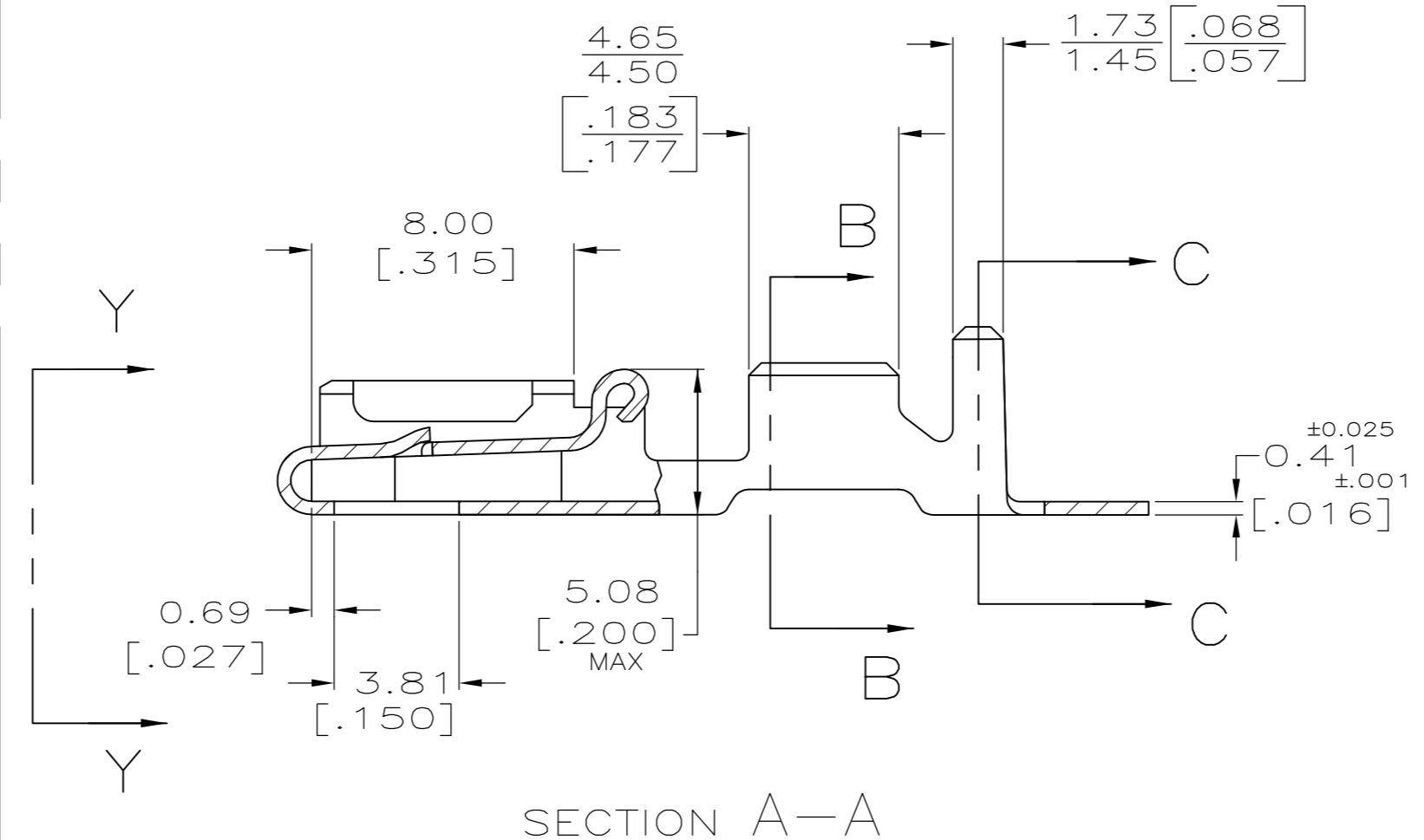
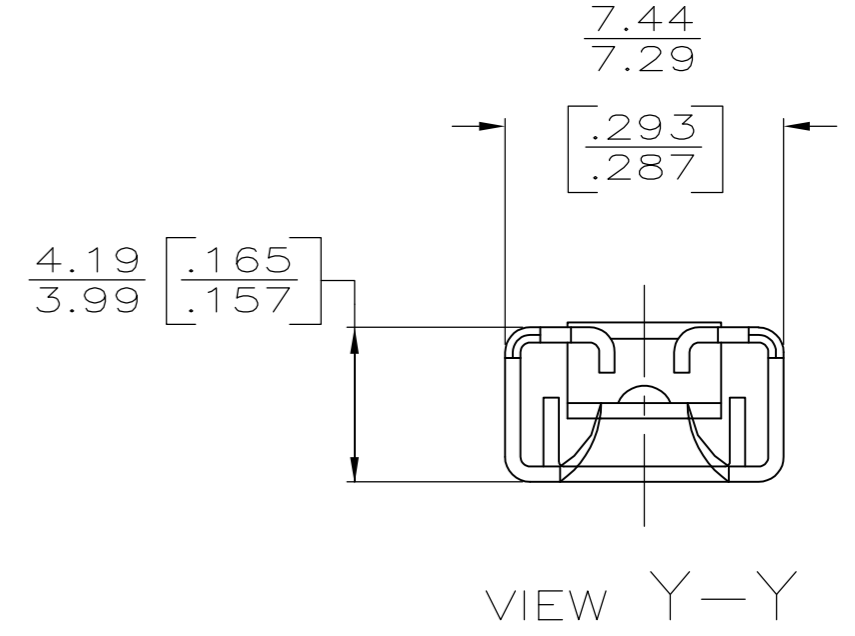
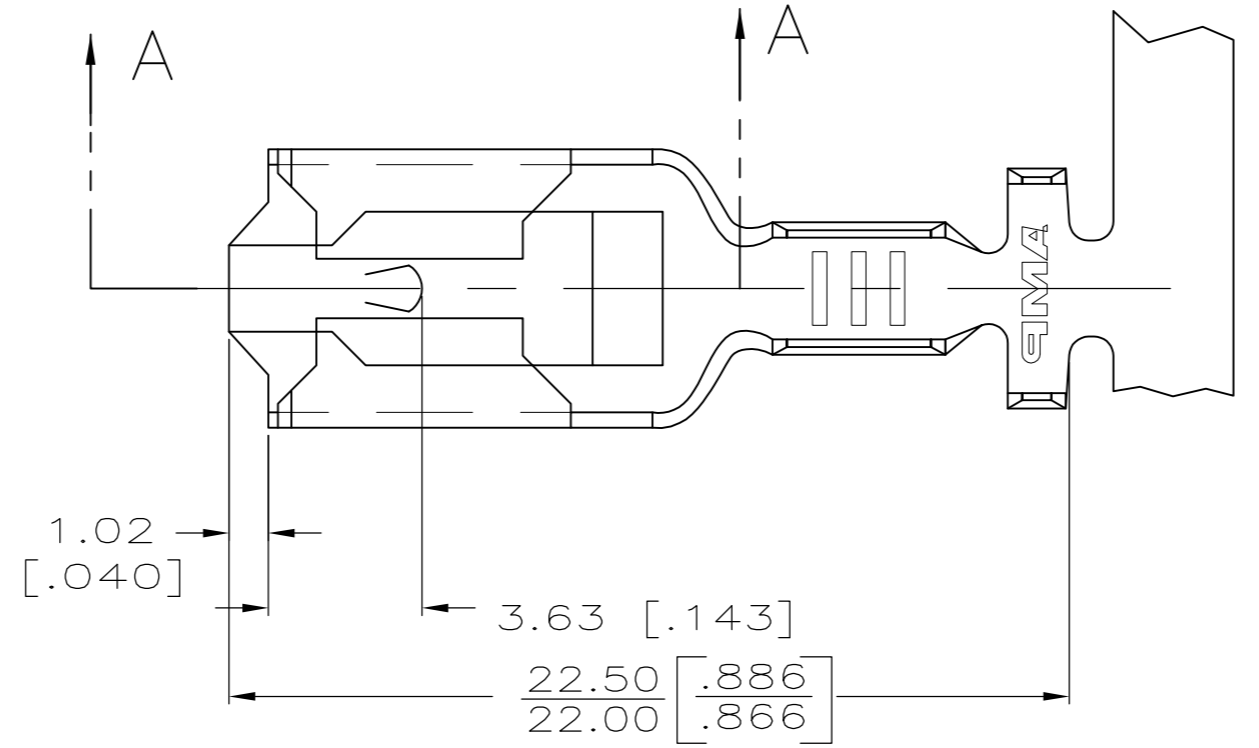
LOC		DIST		REVISIONS			
P	LTR	DESCRIPTION		DATE	DWN	APVD	
AF	50	D		REVISED PER ECR-12-013486	09JAN13	KH	KR

SUGGESTED MATING TAB



- MATL: 1/2H BRASS OR NICKEL PL STEEL.
 - NO BURRS PERMISSIBLE AT HOLE.
 - MUST BE FLAT WITHIN 0.076 [.003] OVER THIS LENGTH.
 - TIN PLATING IS REQUIRED ON BRASS WHEN TERMINAL TEMP. IS OVER 225° F
 - HOLE MUST BE SYMMETRICAL ABOUT TAB C WITHIN 0.076 [.003]
- * TO BE USED ONLY WHEN SHOULDER IS ELIMINATED.

1 CONTINUOUS STRIP ON REELS.



3.43-4.95 DIA [.135-.195] DIA	0.7-2.0mm ² [#18-#14] AWG	0.81 [.032]	63812-1
INSULATION RANGE	WIRE SIZE	MATING TAB THK ±0.025 [.001]	PART NO.

F OR O	5.33 [.210]	5.84 [.230]	F	2.79 [.110]	1.88 [.074] [#14]	1.65 [.065] [#16]	1.47 [.058] [#18]	THIS DRAWING IS A CONTROLLED DOCUMENT.	DWN JR RUTH 10/14/94	 TE Connectivity RECEPTACLE, POSITIVE-LOCK, MK I, 6.35 [.250] SERIES			
TYPE	WIDTH	STRIP LENGTH ±0.38 ±[.015]	TYPE	WIDTH	HEIGHT	WIRE	DIMENSIONS: mm [INCHES] TOLERANCES UNLESS OTHERWISE SPECIFIED: 0 PLC ± - 1 PLC ± - 2 PLC ± 0.25 [.010] 3 PLC ± - 4 PLC ± - ANGLES ± -	CHK MS FEHER 10/14/94 APVD D REINER 10/14/94 PRODUCT SPEC APPLICATION SPEC	NAME				
INSUL BARREL CRIMP			WIRE BARREL CRIMP				MATERIAL BRASS	FINISH TIN PLATE	WEIGHT -		SIZE A2	CAGE CODE 00779	DRAWING NO C=63812
CUSTOMER DRAWING										SCALE 5:1	SHEET 1 OF 1	REV D	