



Chipsmall Limited consists of a professional team with an average of over 10 year of expertise in the distribution of electronic components. Based in Hongkong, we have already established firm and mutual-benefit business relationships with customers from,Europe,America and south Asia,supplying obsolete and hard-to-find components to meet their specific needs.

With the principle of “Quality Parts,Customers Priority,Honest Operation,and Considerate Service”,our business mainly focus on the distribution of electronic components. Line cards we deal with include Microchip,ALPS,ROHM,Xilinx,Pulse,ON,Everlight and Freescale. Main products comprise IC,Modules,Potentiometer,IC Socket,Relay,Connector.Our parts cover such applications as commercial,industrial, and automotives areas.

We are looking forward to setting up business relationship with you and hope to provide you with the best service and solution. Let us make a better world for our industry!



Contact us

Tel: +86-755-8981 8866 Fax: +86-755-8427 6832

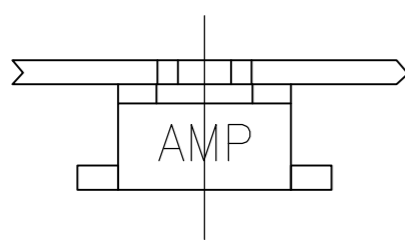
Email & Skype: info@chipsmall.com Web: www.chipsmall.com

Address: A1208, Overseas Decoration Building, #122 Zhenhua RD., Futian, Shenzhen, China



THIS DRAWING IS UNPUBLISHED. RELEASED FOR PUBLICATION
 © COPYRIGHT - By - ALL RIGHTS RESERVED.

LOC	DIST	REVISIONS			
P	LTR	DESCRIPTION	DATE	DWN	APVD
AF	50	B	PLATING INFO UPDATED	25AUG14	PKS RRP

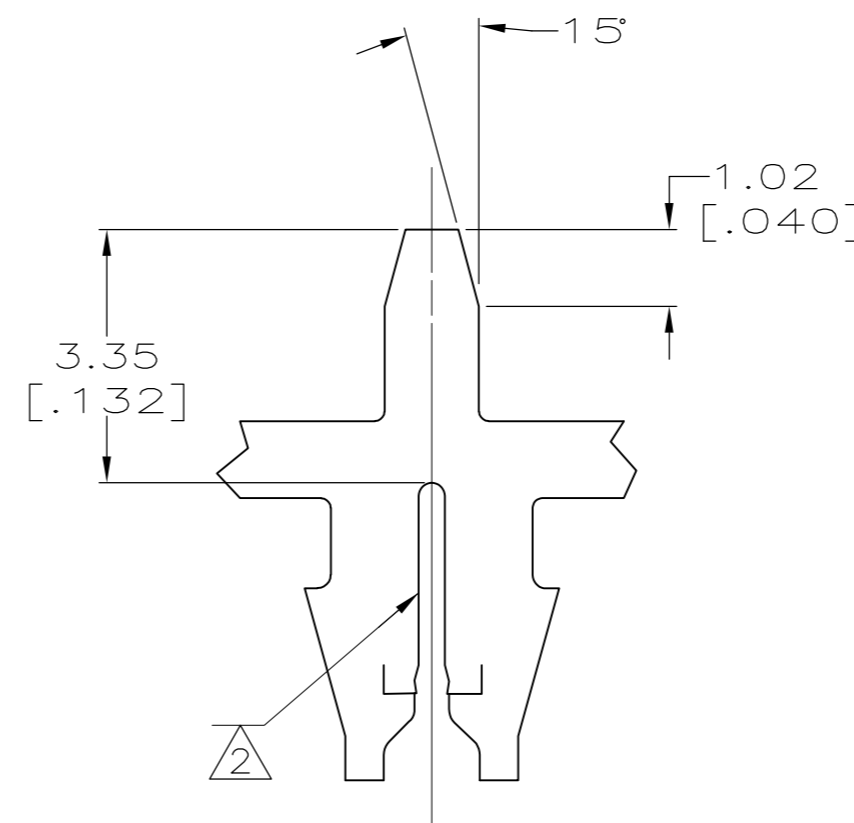
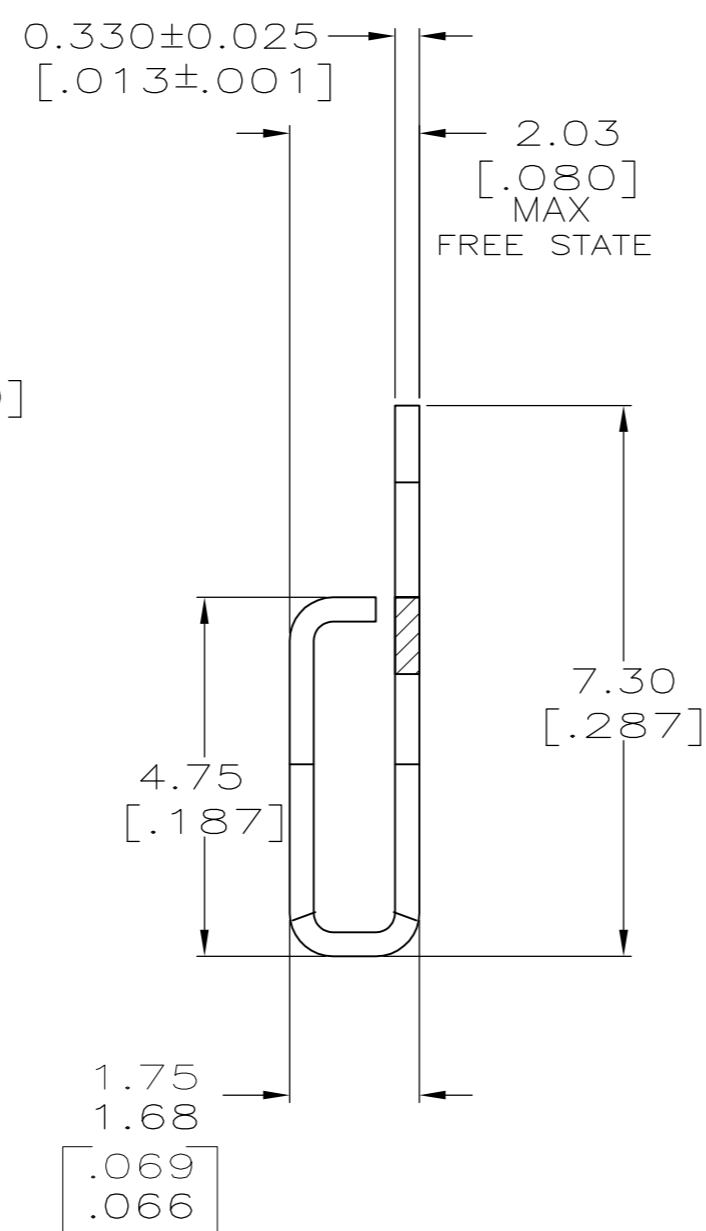
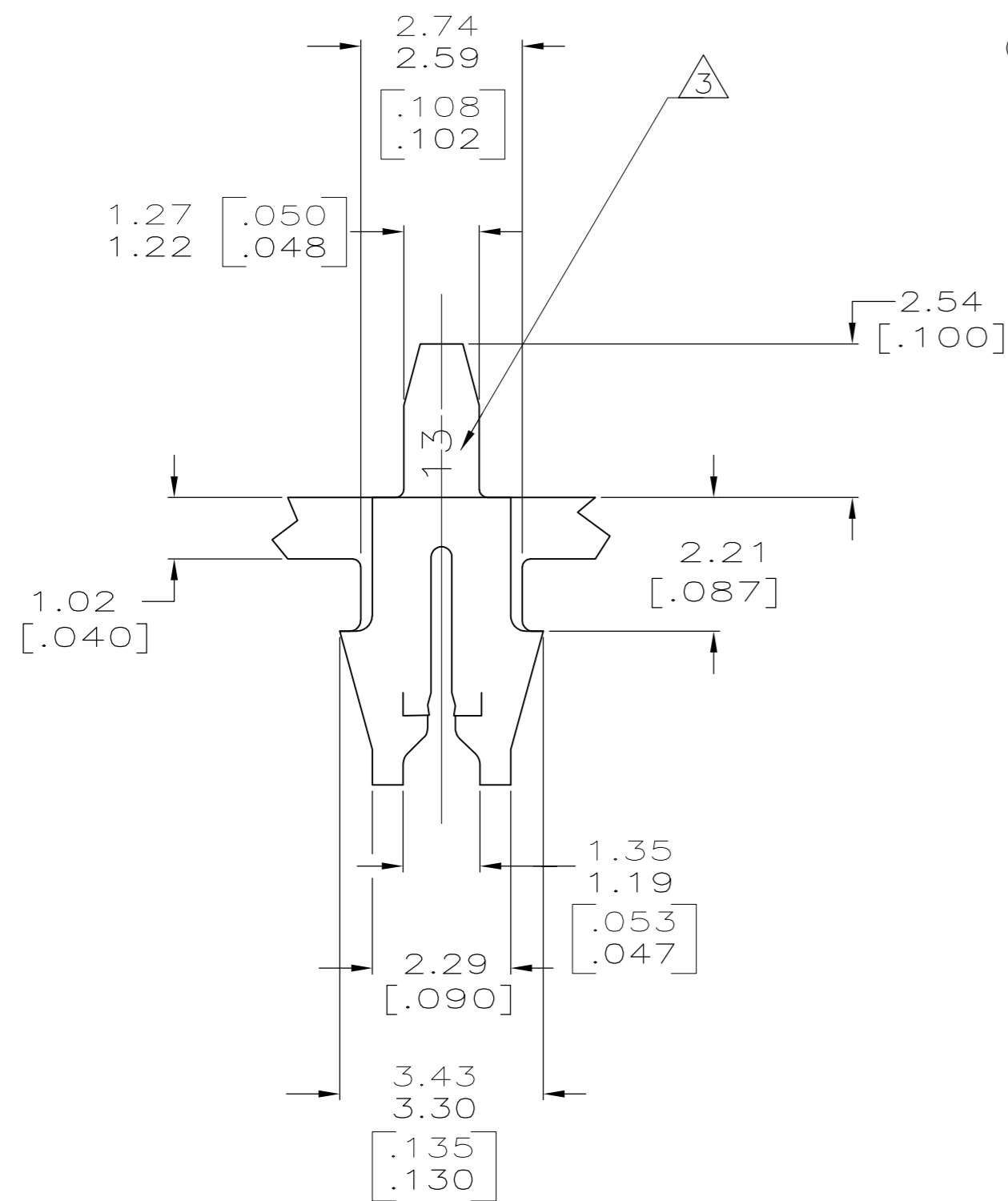


1 CONTINUOUS STRIP ON REELS WITH TERMINALS LOCATED ON 5.08±0.08 [.200±.003] CENTERS.

2 SLOT ACCEPTS 0.51-0.64mm [#24-#22] AWG COPPER MAGNET WIRE SINGLE WIRE ONLY.

3 IDENTIFICATION NUMBER 13 FOR WIRE SLOT SIZE.

4 TIN OVER NICKEL UNDERPLATE



63819-1

THIS DRAWING IS A CONTROLLED DOCUMENT.		DWN 29/OCT/94 MICHAEL S. FEHER	STE TE Connectivity		
DIMENSIONS: INCHES		CHK 31/OCT/94 JEFF R. RUTH			
TOLERANCES UNLESS OTHERWISE SPECIFIED:		APVD 31/OCT/94 NELSON E. NEFF	NAME TERMINAL, POSTED, MAG-MATE™		
0 PLC ± -		PRODUCT SPEC 108-2012	SIZE A2	CAGE CODE 00779	DRAWING NO C=63819
1 PLC ± -		APPLICATION SPEC 114-2069	RESTRICTED TO -		
2 PLC ± 0.13 [.005]		MATERIAL H04 BRASS	SCALE 10:1		
3 PLC ± -		FINISH 4	SHEET 1 of 1		
4 PLC ± -		CUSTOMER DRAWING			
ANGLES ± 1°		REV B			