

Chipsmall Limited consists of a professional team with an average of over 10 year of expertise in the distribution of electronic components. Based in Hongkong, we have already established firm and mutual-benefit business relationships with customers from,Europe,America and south Asia,supplying obsolete and hard-to-find components to meet their specific needs.

With the principle of “Quality Parts,Customers Priority,Honest Operation,and Considerate Service”,our business mainly focus on the distribution of electronic components. Line cards we deal with include Microchip,ALPS,ROHM,Xilinx,Pulse,ON,Everlight and Freescale. Main products comprise IC,Modules,Potentiometer,IC Socket,Relay,Connector.Our parts cover such applications as commercial,industrial, and automotives areas.

We are looking forward to setting up business relationship with you and hope to provide you with the best service and solution. Let us make a better world for our industry!



## Contact us

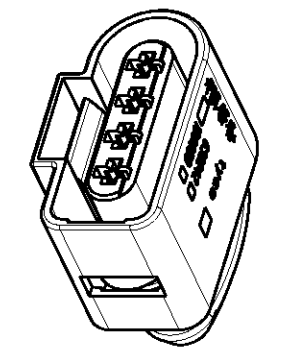
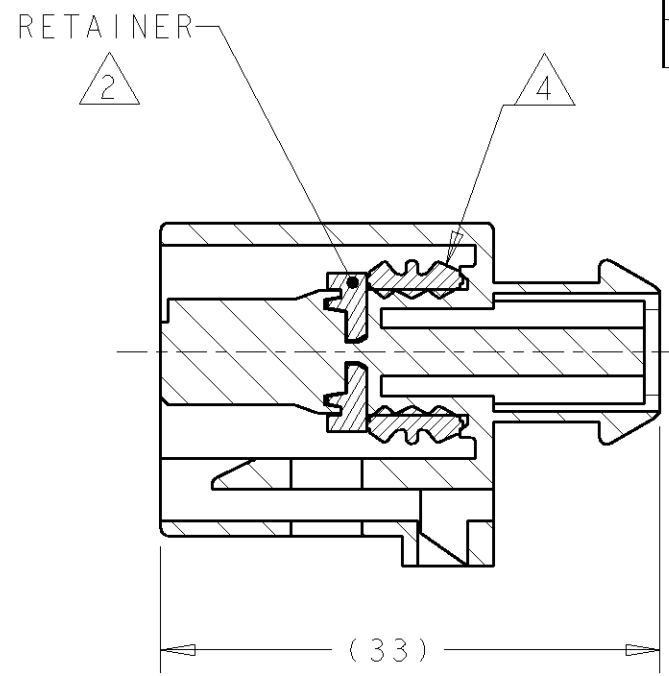
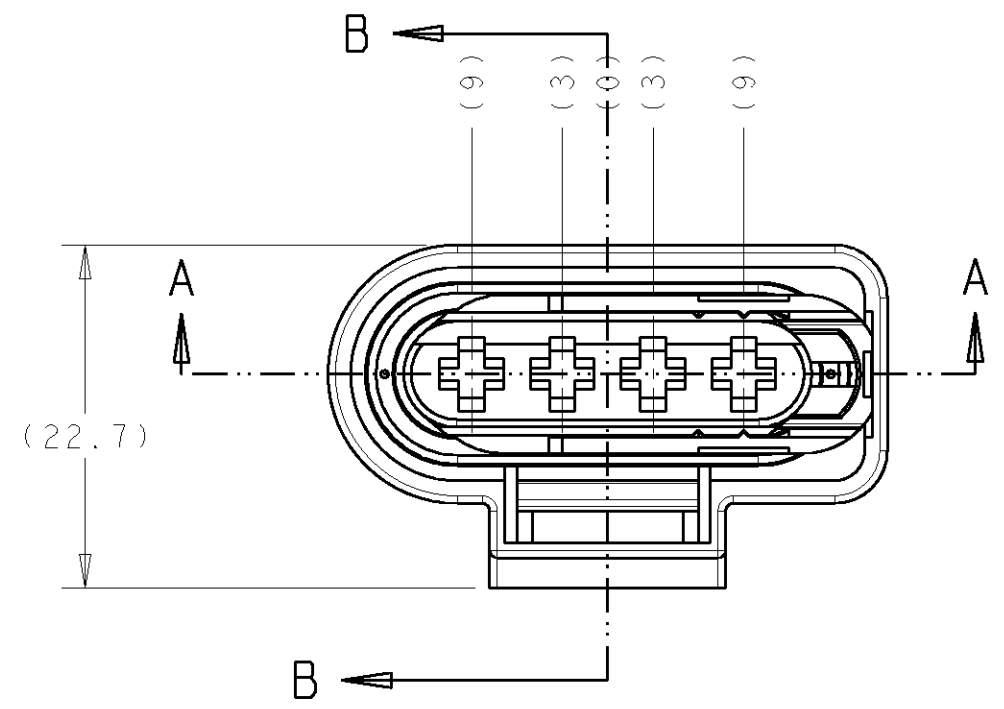
Tel: +86-755-8981 8866 Fax: +86-755-8427 6832

Email & Skype: [info@chipsmall.com](mailto:info@chipsmall.com) Web: [www.chipsmall.com](http://www.chipsmall.com)

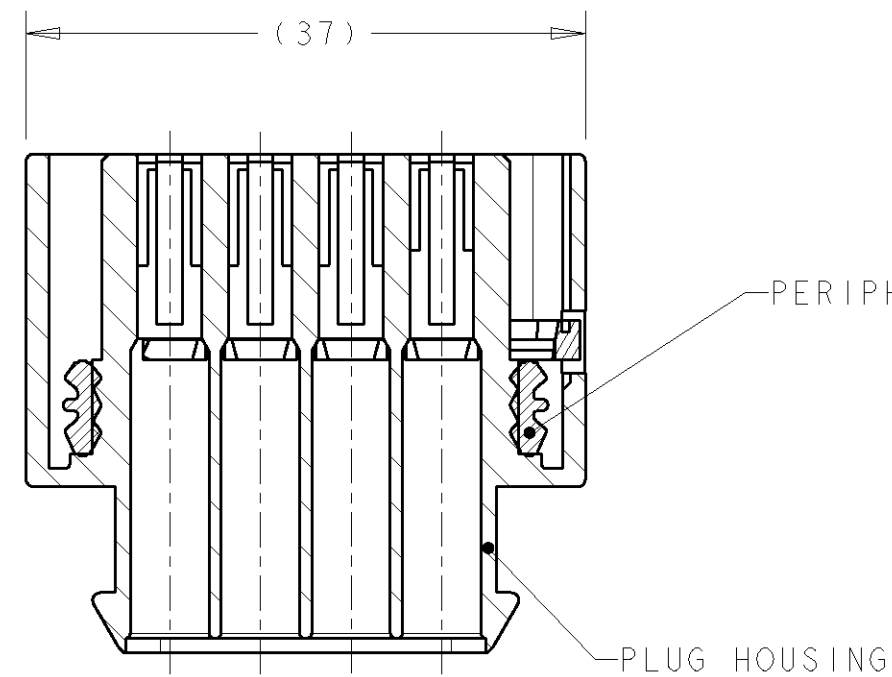
Address: A1208, Overseas Decoration Building, #122 Zhenhua RD., Futian, Shenzhen, China

THIS DRAWING IS UNPUBLISHED. RELEASED FOR PUBLICATION 20  
 © COPYRIGHT 20 BY TYCO ELECTRONICS CORPORATION. ALL RIGHTS RESERVED.

LOC	DIST	REVISIONS				
P	LTR	DESCRIPTION	DATE	DWN	APVD	
GE	00	E	REVISED PER ECO-08-004643	28FEB2008	AH	DC



SCALE 1:1



- 1 THE RETAINER IS ASSEMBLED INTO THE PLUG HOUSING IN THE FIRST DETENT POSITION (OPEN POSITION).
- 2 PLUG HOUSING: PBT, 15% GLASS-FILLED, BLACK  
 RETAINER: PBT, 15% GLASS-FILLED, RED  
 PERIPHERAL SEAL: SILICONE ELASTOMER, COLOR, SEE TABLE
- 3. TYPE A JPT TERMINALS AND INDIVIDUAL WIRE SEALS SOLD SEPARATELY. SEE PRINT 1355047 FOR TERMINAL DETAILS.
- 4 SEAL MAY BE INSERTED IN EITHER DIRECTION. ORIENTATION OF SEAL DOES NOT AFFECT SEALABILITY.

30 DUROMETER	BLUE	638245-2
50 DUROMETER	GREEN	638245-1
PERIPHERAL SEAL	COLOR	PART NUMBER

<small>THIS DRAWING IS A CONTROLLED DOCUMENT FOR TYCO ELECTRONICS CORPORATION IT IS SUBJECT TO CHANGE AND THE CONTROLLING ENGINEERING ORGANIZATION SHOULD BE CONTACTED FOR THE LATEST REVISION.</small>		DWN MD BROWN 05OCT2001 CHK MD BROWN 05OCT2001 APVD MD BROWN 05OCT2001		Tyco Electronics Harrisburg, PA 17105-3608	
DIMENSIONS: mm 		TOLERANCES UNLESS OTHERWISE SPECIFIED: 0 PLC ±- 1 PLC ±.3 2 PLC ±.10 3 PLC ±- 4 PLC ±- ANGLES ±5°		NAME RECEPTACLE ASSEMBLY, 4 POSITION RADIAL SEALED, JPT	
MATERIAL 2 		FINISH - PRODUCT SPEC - APPLICATION SPEC - WEIGHT -		SIZE A3 CAGE CODE 00779 DRAWING NO C-638245 RESTRICTED TO -	
CUSTOMER DRAWING				SCALE 2:1 SHEET 1 OF 1 REV E	