

Chipsmall Limited consists of a professional team with an average of over 10 year of expertise in the distribution of electronic components. Based in Hongkong, we have already established firm and mutual-benefit business relationships with customers from,Europe,America and south Asia,supplying obsolete and hard-to-find components to meet their specific needs.

With the principle of “Quality Parts,Customers Priority,Honest Operation,and Considerate Service”,our business mainly focus on the distribution of electronic components. Line cards we deal with include Microchip,ALPS,ROHM,Xilinx,Pulse,ON,Everlight and Freescale. Main products comprise IC,Modules,Potentiometer,IC Socket,Relay,Connector.Our parts cover such applications as commercial,industrial, and automotives areas.

We are looking forward to setting up business relationship with you and hope to provide you with the best service and solution. Let us make a better world for our industry!



## Contact us

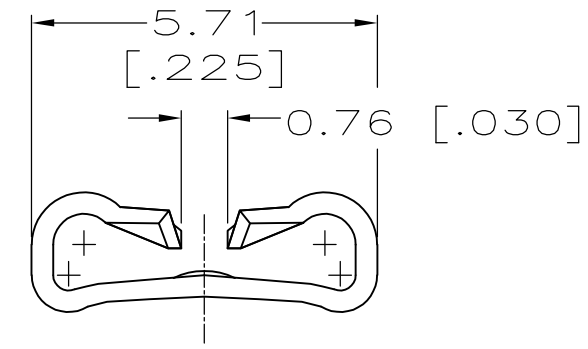
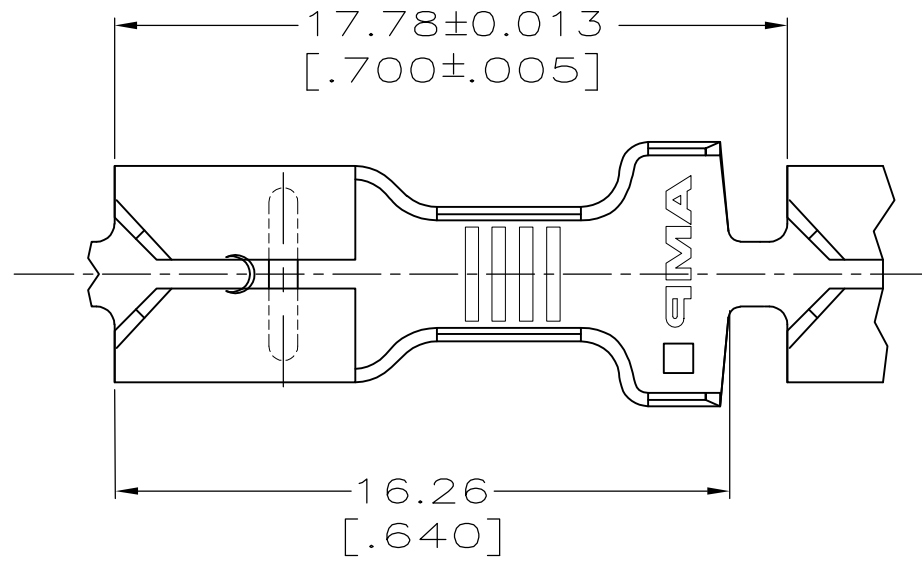
Tel: +86-755-8981 8866 Fax: +86-755-8427 6832

Email & Skype: [info@chipsmall.com](mailto:info@chipsmall.com) Web: [www.chipsmall.com](http://www.chipsmall.com)

Address: A1208, Overseas Decoration Building, #122 Zhenhua RD., Futian, Shenzhen, China

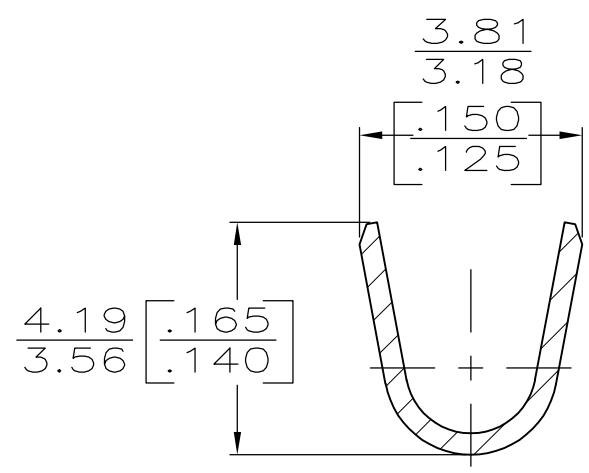
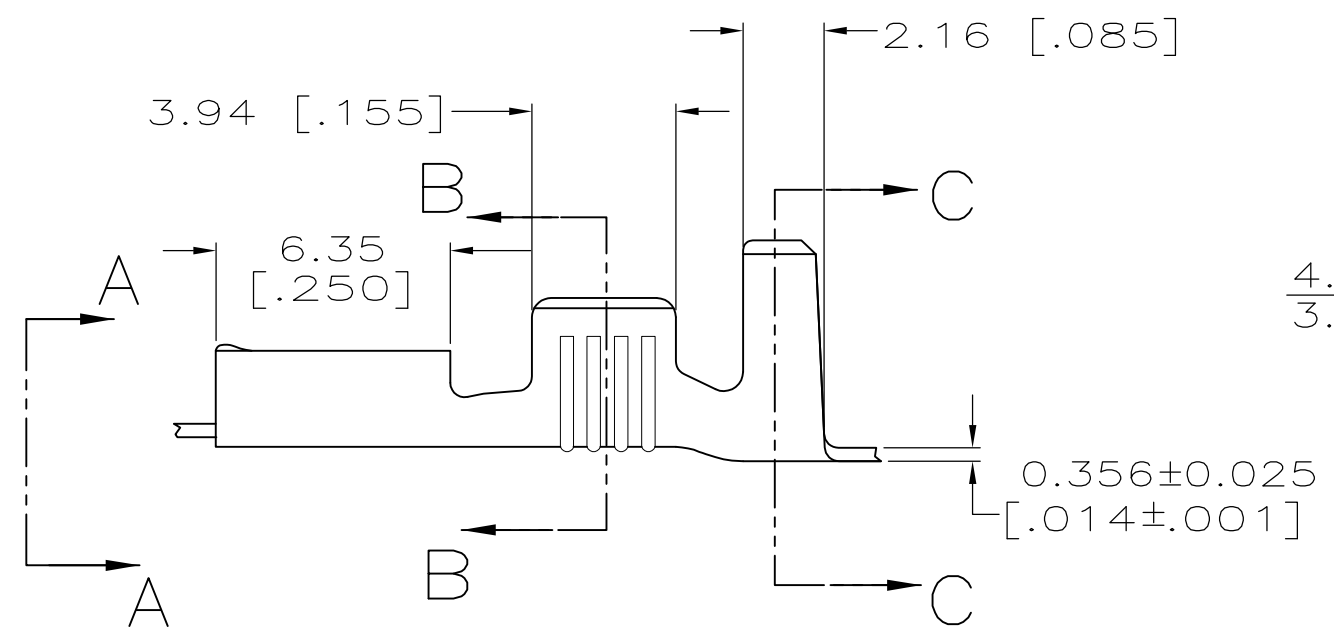
THIS DRAWING IS UNPUBLISHED. RELEASED FOR PUBLICATION  
 © COPYRIGHT - By - ALL RIGHTS RESERVED.

LOC	DIST	REVISIONS			
P	LTR	DESCRIPTION	DATE	DWN	APVD
AF	50	E	REVISED PER ECR-12-013518	24NOV12	KH PD

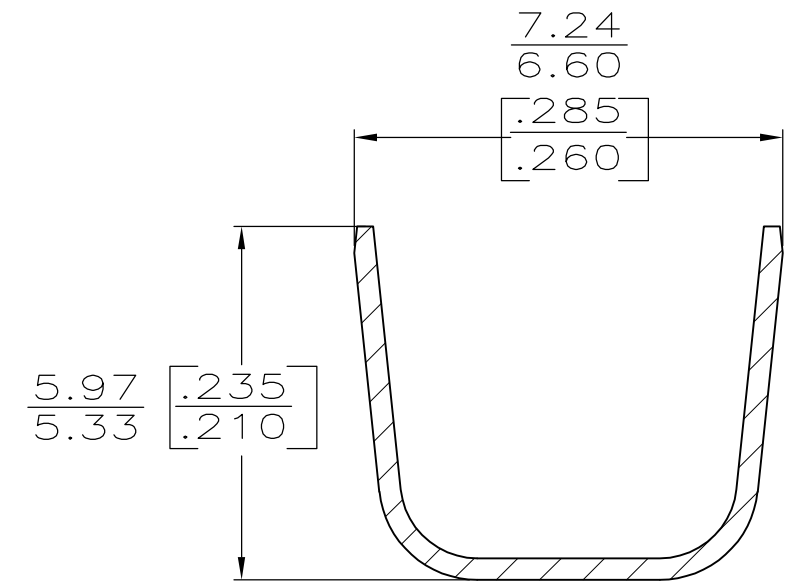


VIEW A-A  
SCALE 8:1

- 1 CONTINUOUS STRIP ON REELS.
  - 2 MATING TAB THK TO BE 0.635±0.025[.025±.001]
  - 3 WIRE SIZE IS [#18-#14]AWG, OR TWO [#16'S].
  - 4 INSULATION RANGE IS 4.57-5.84 TWO AT 2.79 MAX, [.180-.230] OR TWO AT [.110 MAX].
- 5 OBSOLETE PARTS: OBSOLETE CIS STREAMLINING PER D.RENAUD/D.SINISI



SECTION B-B  
SCALE 8:1



SECTION C-C  
SCALE 8:1

5 OBSOLETE	TIN	63832-2
	FINISH	63832-1
	PART NUMBER	

THIS DRAWING IS A CONTROLLED DOCUMENT.		DWN	JR RUTH	3/17/95	TE Connectivity				
DIMENSIONS: mm [INCHES]		CHK	MS FEHER	3/17/95					
TOLERANCES UNLESS OTHERWISE SPECIFIED:		APVD	P DESANTIS	3/17/95	NAME				
0 PLC ± - 1 PLC ± - 2 PLC ± 0.25 [.010] 3 PLC ± - 4 PLC ± - ANGLES ± -		PRODUCT SPEC		RECEPTACLE, FASTON,™ 4.75 [.187] SERIES					
MATERIAL: BRASS		FINISH: SEE TABLE		APPLICATION SPEC: 114-2036		SIZE: A3	CAGE CODE: 00779	DRAWING NO: C-63832	RESTRICTED TO: -
CUSTOMER DRAWING				WEIGHT: -	SCALE: 5:1		SHEET: 1 OF 1	REV: E	