



Chipsmall Limited consists of a professional team with an average of over 10 year of expertise in the distribution of electronic components. Based in Hongkong, we have already established firm and mutual-benefit business relationships with customers from,Europe,America and south Asia,supplying obsolete and hard-to-find components to meet their specific needs.

With the principle of “Quality Parts,Customers Priority,Honest Operation,and Considerate Service”,our business mainly focus on the distribution of electronic components. Line cards we deal with include Microchip,ALPS,ROHM,Xilinx,Pulse,ON,Everlight and Freescale. Main products comprise IC,Modules,Potentiometer,IC Socket,Relay,Connector.Our parts cover such applications as commercial,industrial, and automotives areas.

We are looking forward to setting up business relationship with you and hope to provide you with the best service and solution. Let us make a better world for our industry!



Contact us

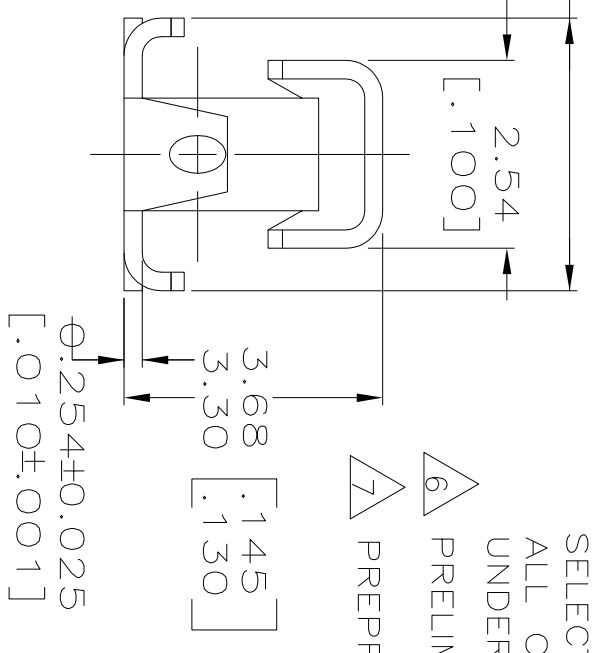
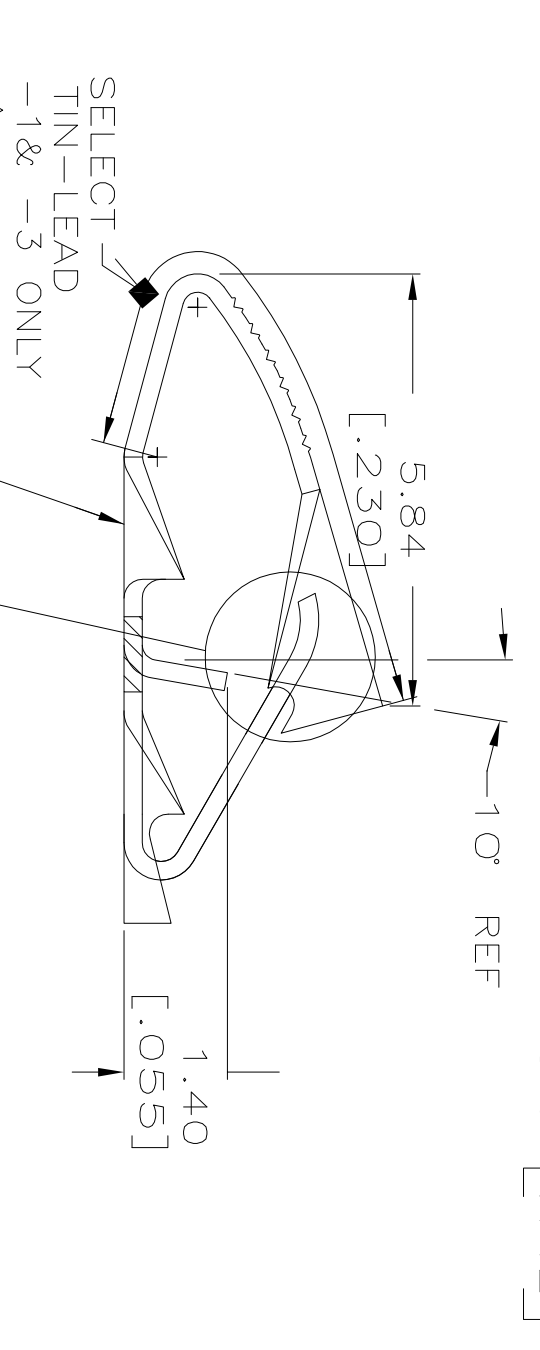
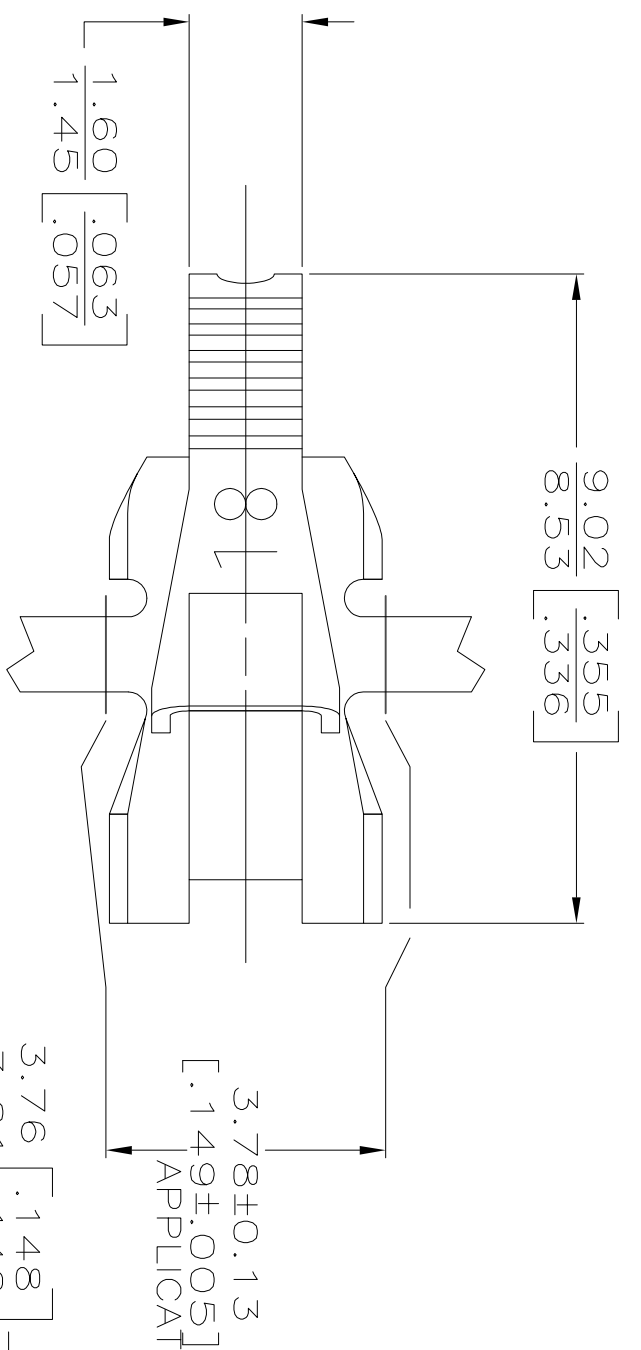
Tel: +86-755-8981 8866 Fax: +86-755-8427 6832

Email & Skype: info@chipsmall.com Web: www.chipsmall.com

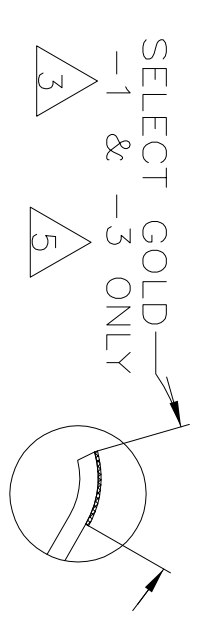
Address: A1208, Overseas Decoration Building, #122 Zhenhua RD., Futian, Shenzhen, China



- 1 CONTINUOUS STRIP ON REELS WITH TERMINALS LOCATED ON 6.10±0.08 [.240±.003] CENTERS. IDENTIFICATION NUMBER 18 FOR MAGNET WIRE RANGE.
- 2
- 3 0.000762[.000030] MIN SELECT GOLD ON ONE SIDE AS SHOWN, 0.00127[.000050] MIN SELECT TIN-LEAD ON BOTH SIDES AS SHOWN ALL OVER 0.00127[.000050] MIN NICKEL UNDERPLATE
- 4 0.002032 [.000080] MIN TIN OVER 0.00127 [.000050] MIN NICKEL WITH ANTI-FRETTING LUBE ON POKE-IN LEAF AREA.
- 5 0.000762[.000030] MIN SELECT GOLD ON ONE SIDE AS SHOWN, 0.00127[.000050] MIN SELECT TIN ON BOTH SIDES AS SHOWN ALL OVER 0.00127[.000050] MIN NICKEL UNDERPLATE
- 6 PRELIMINARY - NOT FOR PRODUCTION.
- 7 PREPRODUCTION - FASR REQUIRED



OBSOLETE		COPPER MAGNET WIRE RANGE	FINISH	PART NO.		
OBSOLETE					4	61-63844-2
0.10-0.25mm [#38-#30] AWG					5	63844-3
OBSOLETE		4	63844-2	6	63844-1	



THIS DRAWING IS A CONTROLLED DOCUMENT.		DWN 3/MAY/95		Tyco Electronics Corporation Harrisburg, Pa 17105-3608	
DIMENSIONS: MM [INCHES]		TOLERANCES UNLESS OTHERWISE SPECIFIED:		APVD 3/MAY/95	
MATERIAL H02 BRASS		FINISH		CHK MICHAEL S. FEHER	
SEE TABLE		0 PLC ± -		TL SHUTTER 3/MAY/95	
		1 PLC ± -		PRODUCT SPEC 108-2016	
		2 PLC ± -		APPLICATION SPEC 114-2047	
		3 PLC ± -		WEIGHT -	
		4 PLC ± -		CUSTOMER DRAWING	
		ANGLES ± -		SIZE A3	
				CAGE CODE 00779	
				DRAWING NO. 63844	
				SCALE 10:1	
				SHEET 1 OF 1	
				REV E3	