



Chipsmall Limited consists of a professional team with an average of over 10 year of expertise in the distribution of electronic components. Based in Hongkong, we have already established firm and mutual-benefit business relationships with customers from,Europe,America and south Asia,supplying obsolete and hard-to-find components to meet their specific needs.

With the principle of “Quality Parts,Customers Priority,Honest Operation,and Considerate Service”,our business mainly focus on the distribution of electronic components. Line cards we deal with include Microchip,ALPS,ROHM,Xilinx,Pulse,ON,Everlight and Freescale. Main products comprise IC,Modules,Potentiometer,IC Socket,Relay,Connector.Our parts cover such applications as commercial,industrial, and automotives areas.

We are looking forward to setting up business relationship with you and hope to provide you with the best service and solution. Let us make a better world for our industry!



Contact us

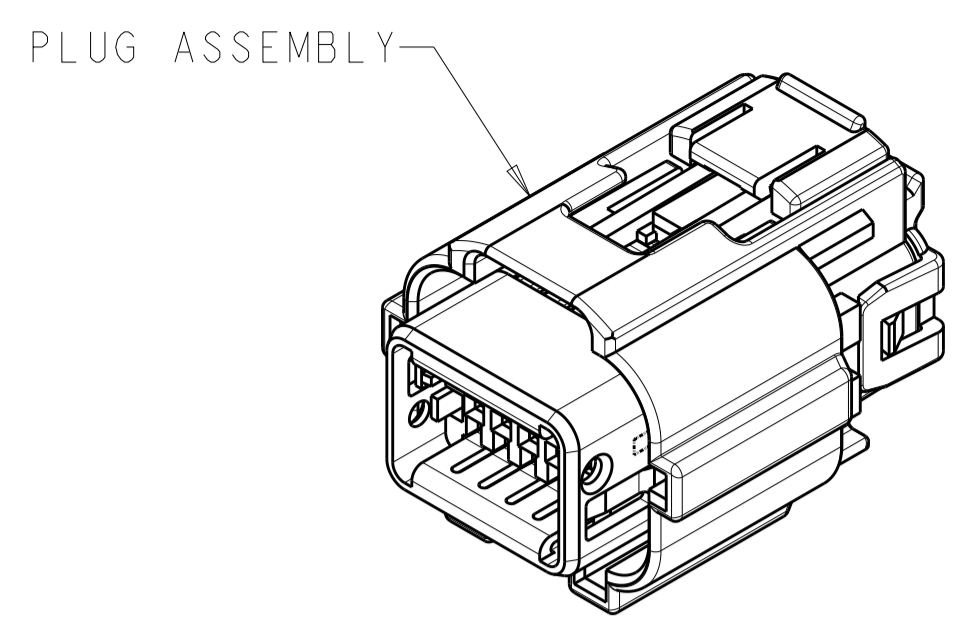
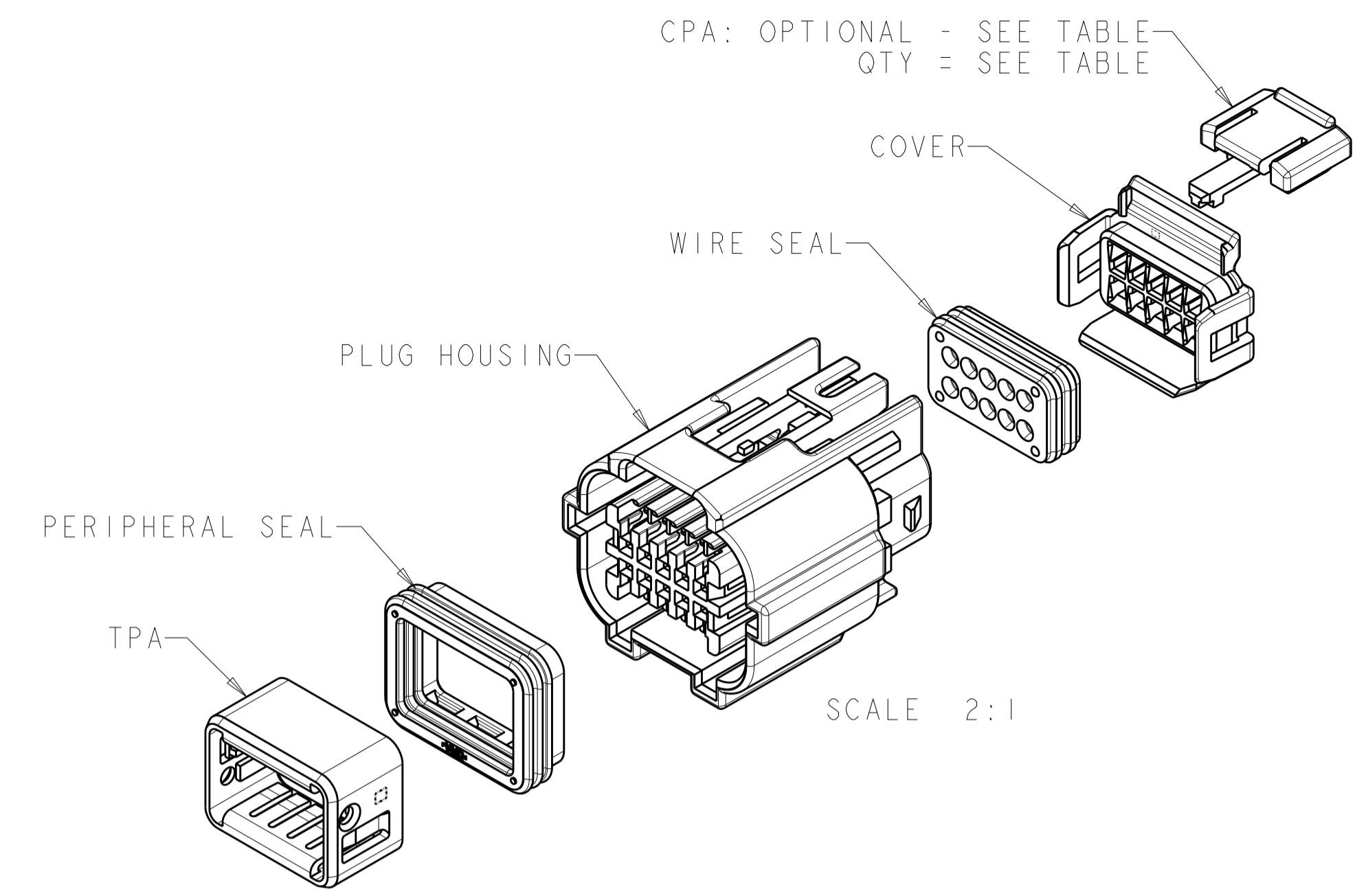
Tel: +86-755-8981 8866 Fax: +86-755-8427 6832

Email & Skype: info@chipsmall.com Web: www.chipsmall.com

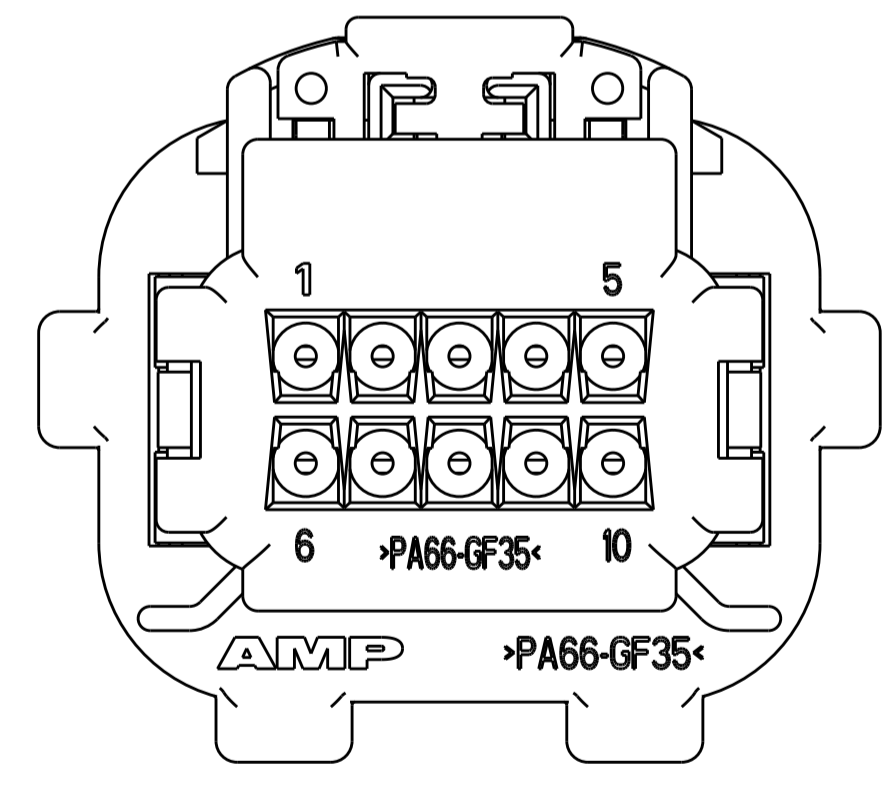
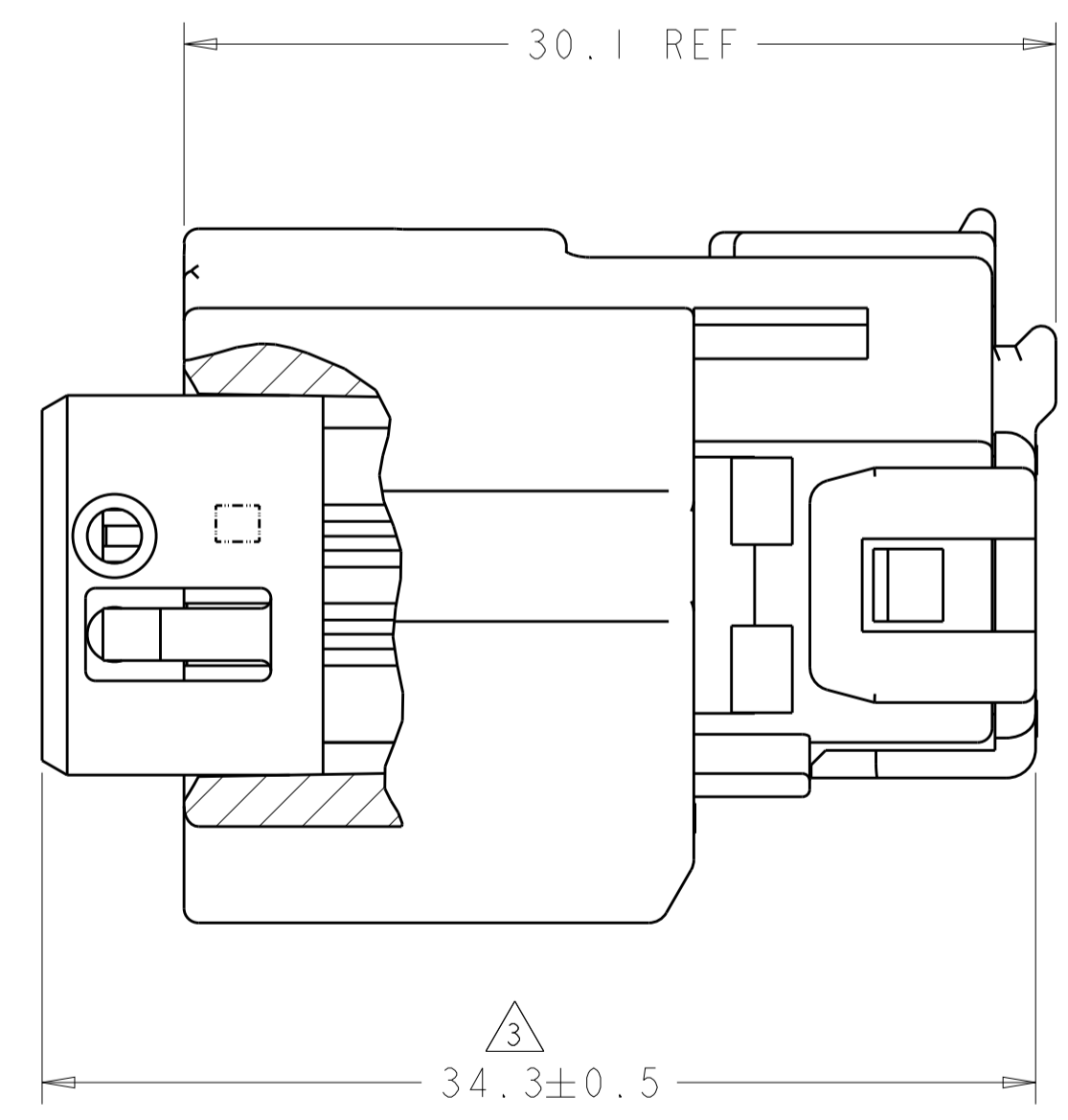
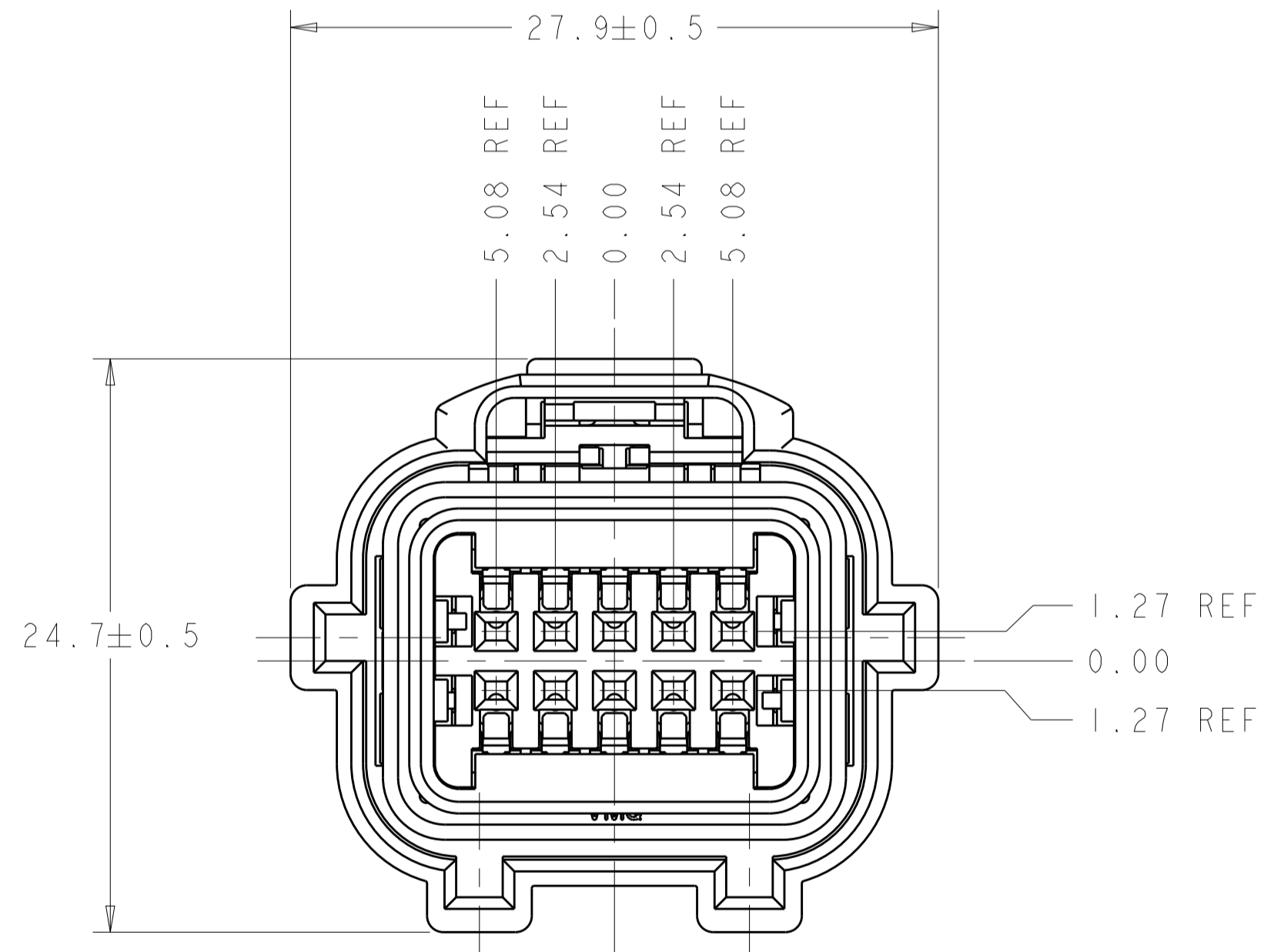
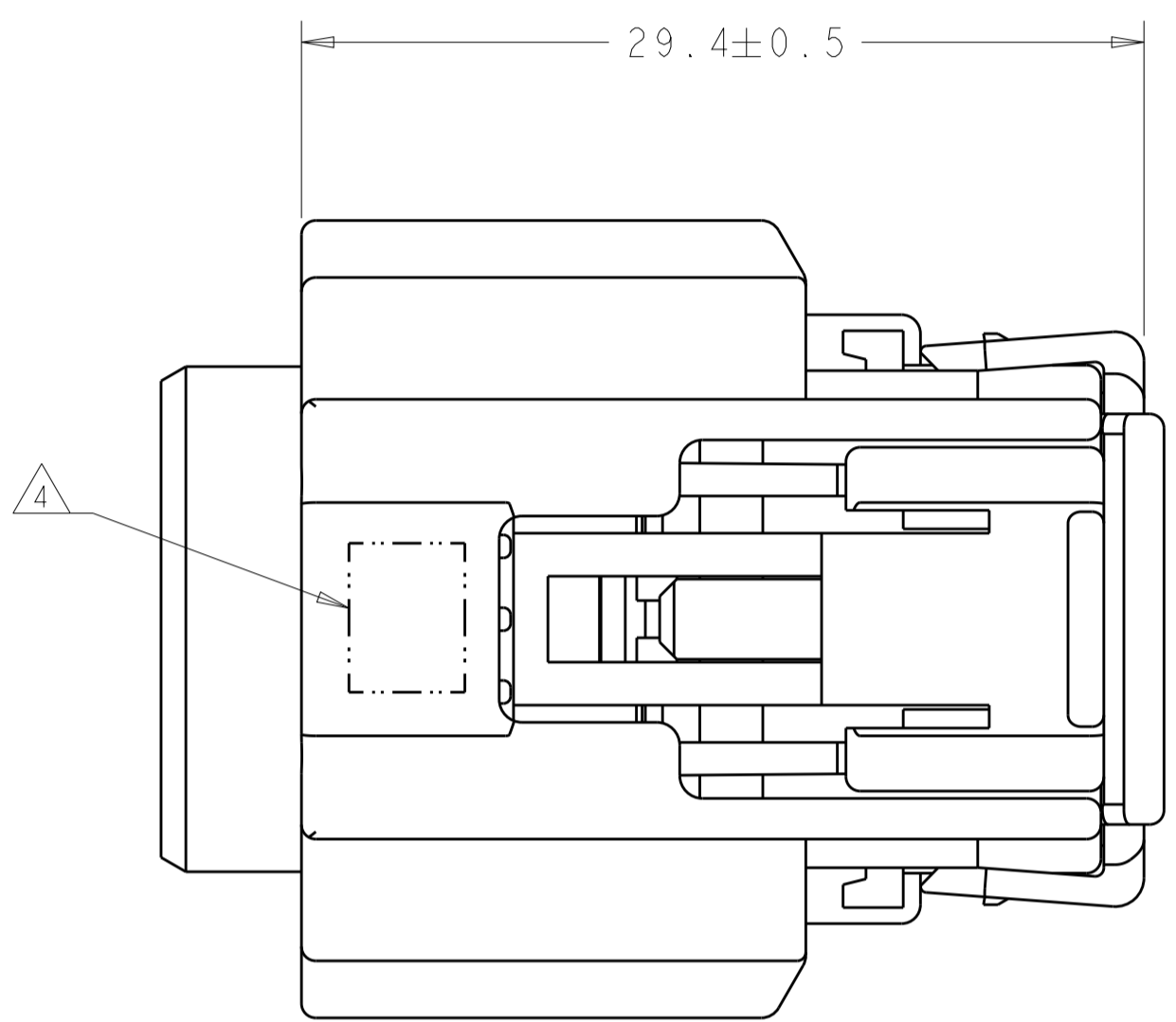
Address: A1208, Overseas Decoration Building, #122 Zhenhua RD., Futian, Shenzhen, China



REVISIONS				
P.	LTN.	DESCRIPTION	DATE	OWN. APVD.
K7		REVISED PER ECO-11-005030	12MAR2011	RK HMR
K8		REVISED PER ECO-12-003785	16DEC2016	DD MB



1. 638517-5 SHOWN.
2. PLUG HOUSING: NYLON 6/6, 35% GLASS FILLED, 25% MAX REGRIND. COLOR: SEE TABLE.
COVER: NYLON 6/6, 35% GLASS FILLED, BLACK, 25% MAX REGRIND.
TPA: NYLON 6/6, 35% GLASS FILLED, RED, 25% MAX REGRIND.
PERIPHERAL SEAL AND WIRE SEAL: SILICONE RUBBER, DARK BLUE.
CPA: PBT, 15% GLASS, RED
3. TPA SHOWN IN PRE-LATCHED POSITION.
4. MARK FOUR DIGIT JULIAN DATE CODE (DDDY), LOCATED IN APPROXIMATE AREA SHOWN.
5. TERMINALS SOLD SEPARATELY, SEE AMP RECOMMENDED P/N 1326028 (GOLD) OR 638551 (TIN) FOR TERMINATION AND REELING OPTIONS.
6. PRELIMINARY - NOT RELEASED FOR PRODUCTION.



YELLOW	I	"A"	5-638517-4
BLACK	I	"A"	3-638517-1
BLACK	I	"A"	3-638517-0
BLACK	I	"A"	2-638517-9
BLACK	I	"A"	2-638517-8
BLACK	I	"A"	2-638517-7
BLACK	I	"A"	2-638517-6
BLACK	I	"A"	2-638517-5
TBD	I	"A"	2-638517-4
TBD	I	"A"	2-638517-3
BLACK	I	"A"	2-638517-2
BLACK	I	"A"	2-638517-1
TBD	I	"D"	638517-8
TBD	I	"C"	638517-7
TBD	I	"B"	638517-6
BLACK	I	"A"	638517-5
PLUG HOUSING COLOR	CPA QTY	KEYING ARRANGEMENT (SEE SHEET 2)	PART NUMBER

THIS DRAWING IS A CONTROLLED DOCUMENT. DWN: R. FOLTZ 22FEB00
CHK: M. SHORE 08MAY01
APVD: G. BALON 08MAY01

DIMENSIONS: mm
TOLERANCES UNLESS OTHERWISE SPECIFIED:
0 PLC ±0.2
1 PLC ±0.10
2 PLC ±0.10
3 PLC ±0.10
4 PLC ±0.10
ANGLES ±0.5°

MATERIAL: NYLON 6/6, 35% GLASS FILLED, 25% MAX REGRIND
FINISH: -

PRODUCT SPEC: SAE/USCAR-2 8/97
APPLICATION SPEC: -

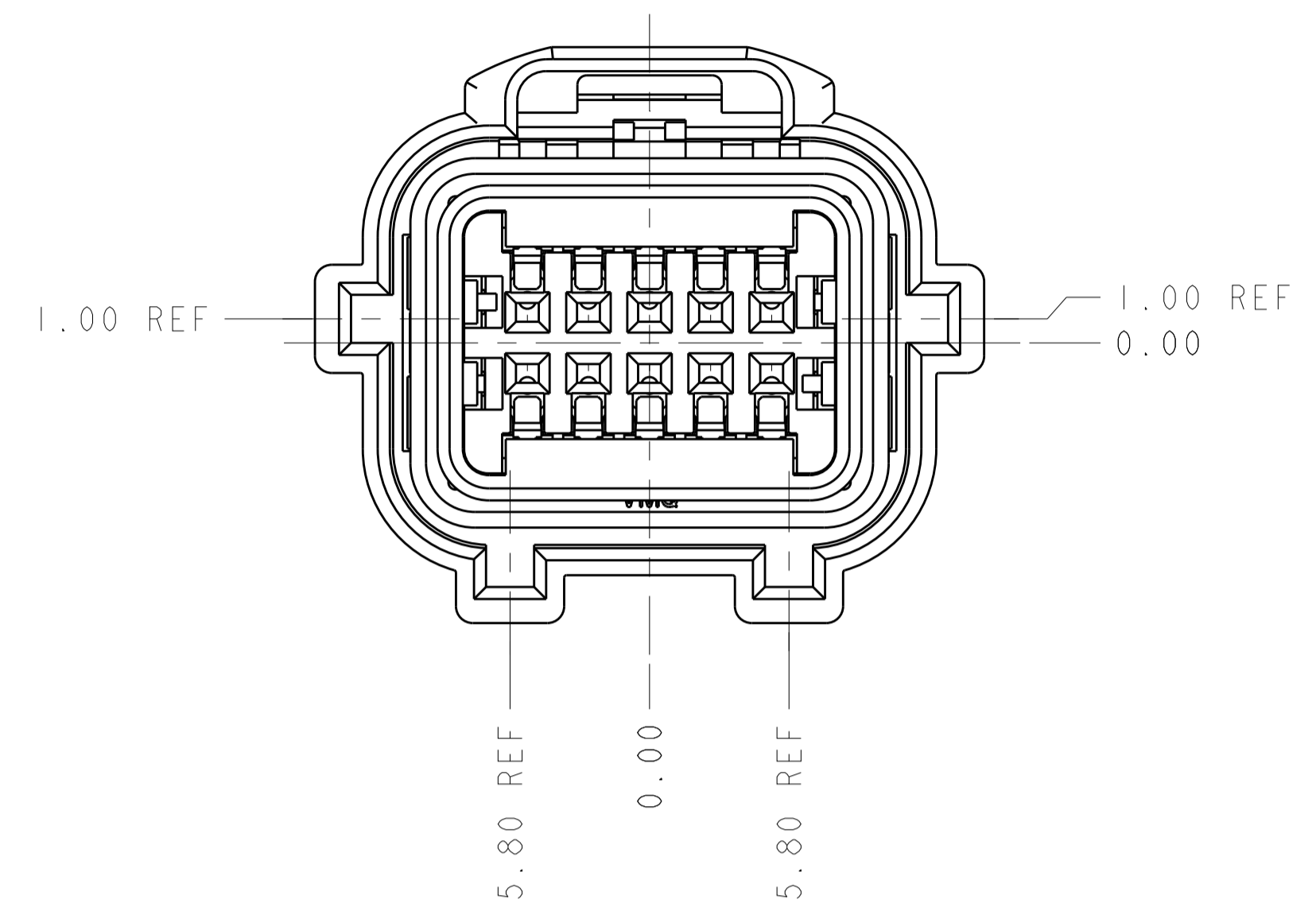
WEIGHT: -
CUSTOMER DRAWING

SIZE: A1
CAGE CODE: 100779
DRAWING NO: 638517
RESTRICTED TO: -

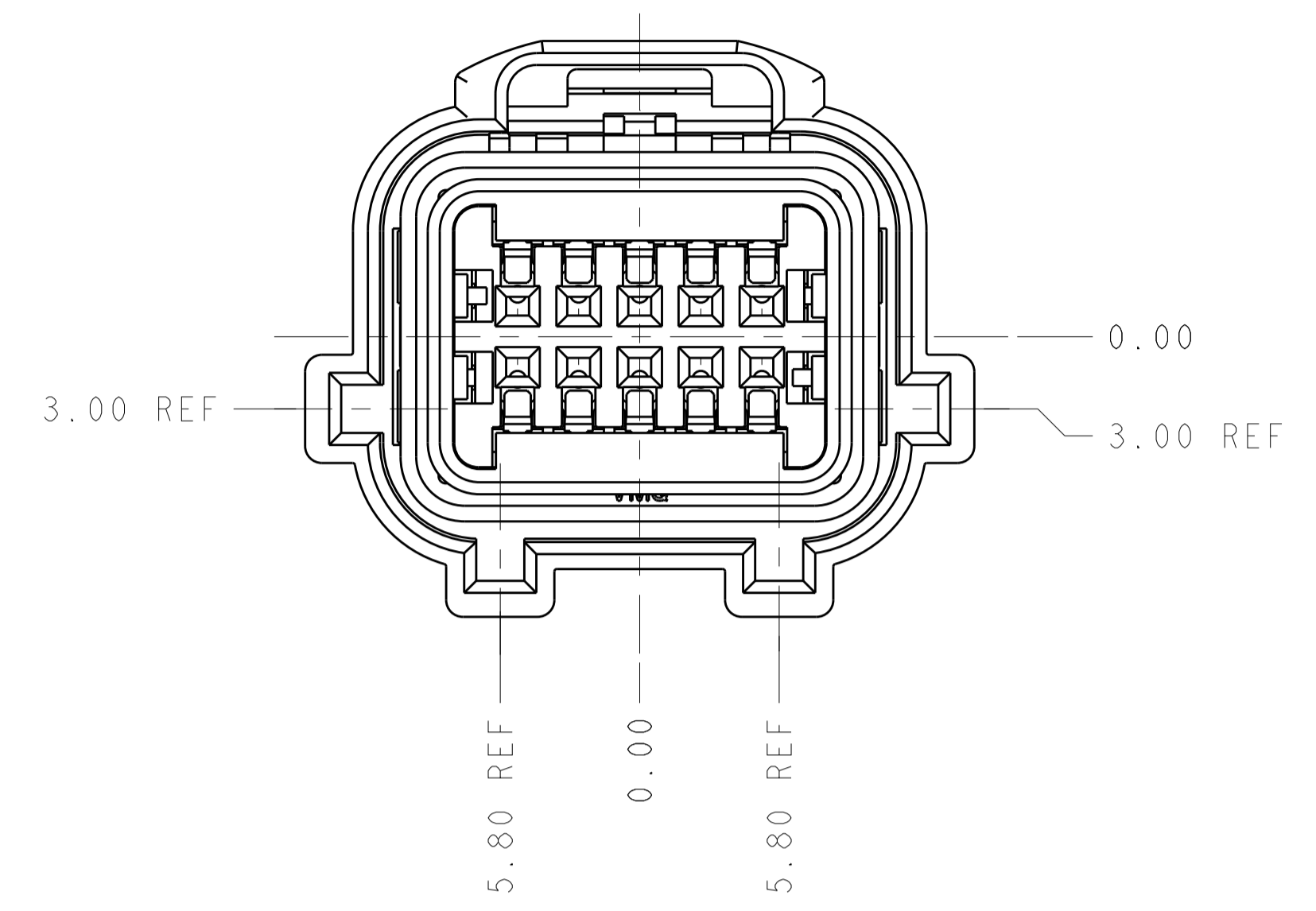
SCALE: 4:1
SHEET: 1 OF 3
REV: K8

TE TE Connectivity
PLUG ASSEMBLY, 10 POSITION 2X5, SEALED, 0.64mm CONNECTOR

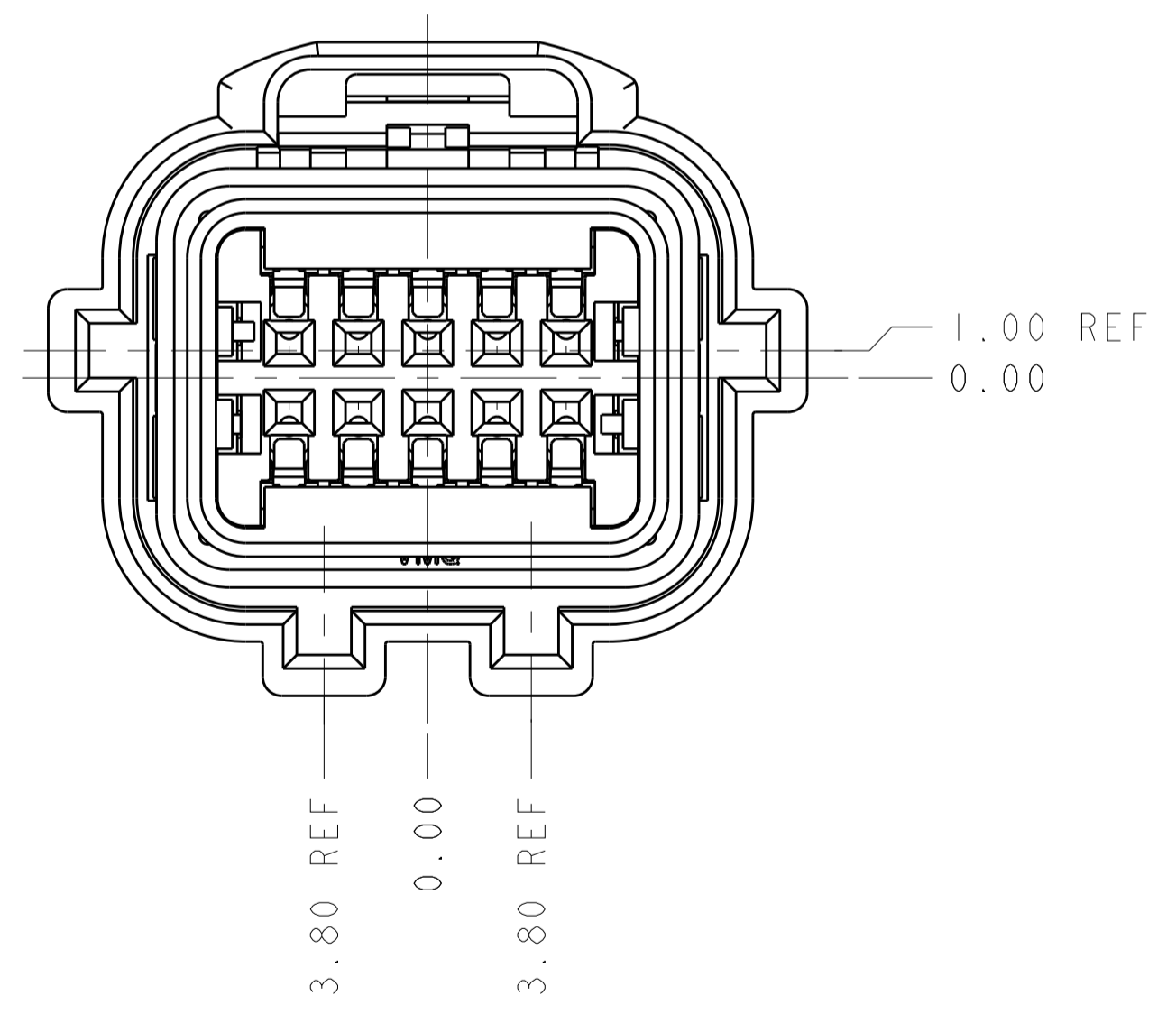
REVISIONS				
P.	LTN	DESCRIPTION	DATE	APVD
-	-	SEE SHEET 1	-	-



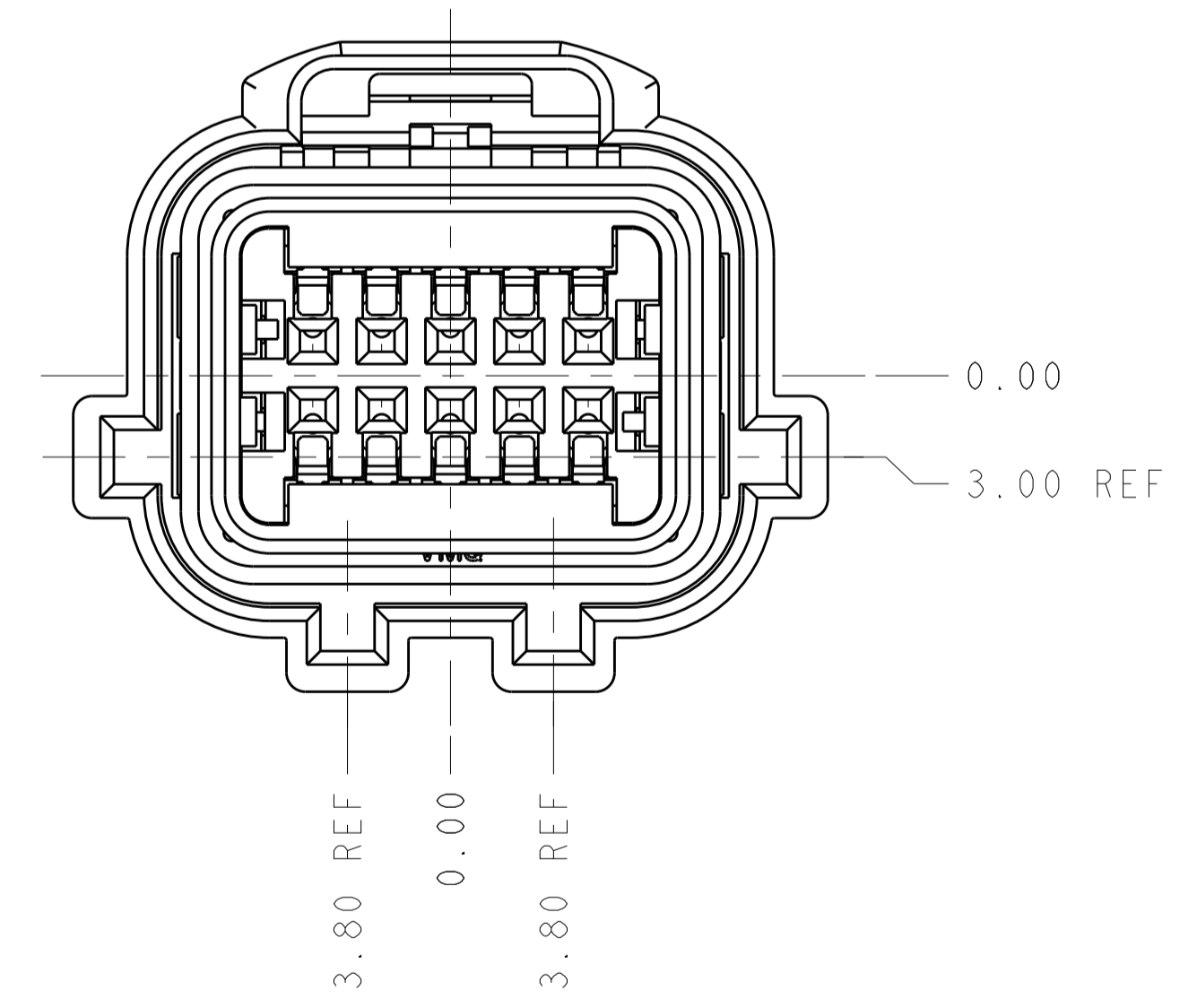
KEY CODE "A"
 (APPLIES TO -5, 2--1, 2--2,
 2--3 THRU 3--1 & 5--4 ONLY)
 SCALE 4:1




KEY CODE "B"
 (APPLIES TO -6 ONLY)
 SCALE 4:1



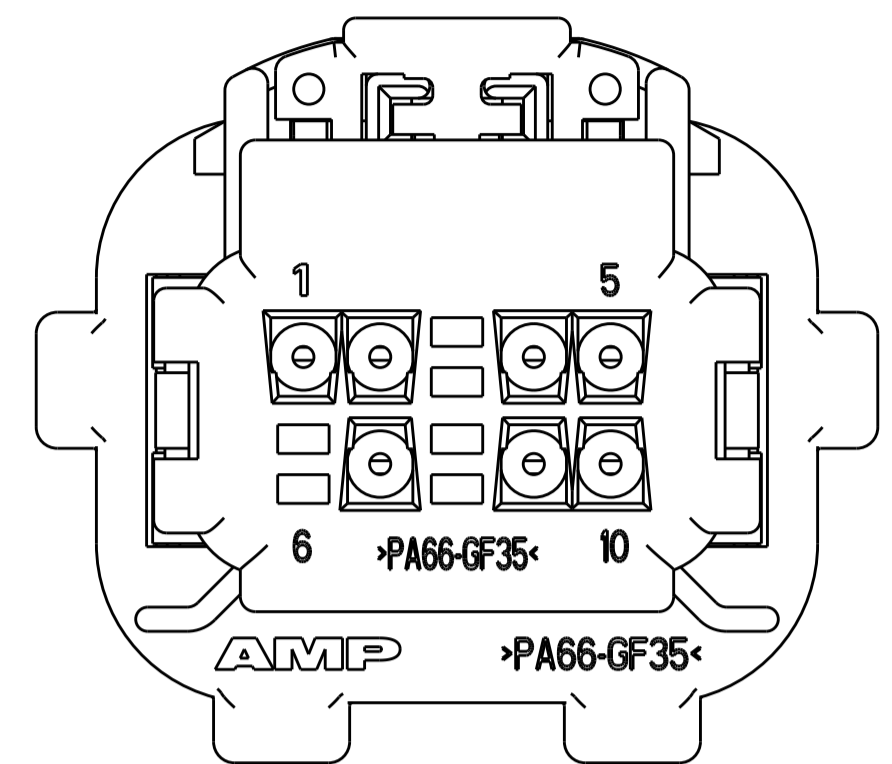
KEY CODE "C"
 (APPLIES TO -7 ONLY)
 SCALE 4:1



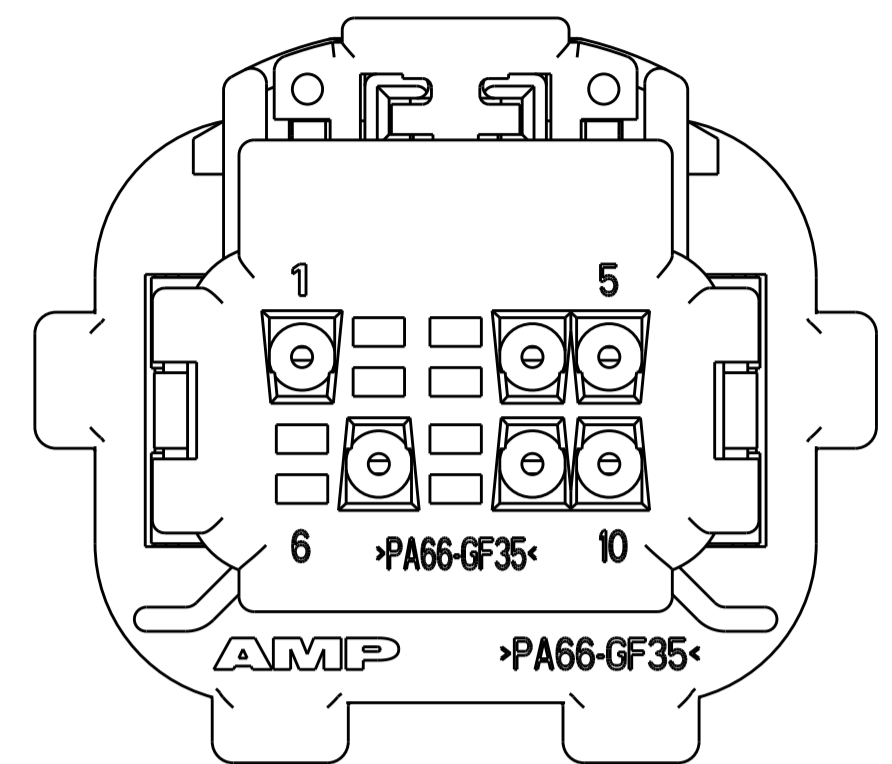
KEY CODE "D"
 (APPLIES TO -8 ONLY)
 SCALE 4:1

THIS DRAWING IS A CONTROLLED DOCUMENT.		DWN R. FOLTZ	22FEB00	 TE Connectivity
DIMENSIONS:		CHK M. SHORE	08MAY01	
mm	TOLERANCES UNLESS OTHERWISE SPECIFIED:	APVD G. BALON	08MAY01	NAME
0 PLC ±	0.2	PRODUCT SPEC		PLUG ASSEMBLY,
2 PLC ±0.2		SAE/USCAR-2 8/97		10 POSITION 2X5, SEALED,
3 PLC ±0.10		APPLICATION SPEC		0.64mm CONNECTOR
4 PLC ±		SIZE	CAGE CODE	DRAWING NO
ANGLES ±		A100779		638517
MATERIAL	FINISH	WEIGHT	RESTRICTED TO	
-	-	-	CUSTOMER DRAWING	
SCALE		4:1	SHEET	2 OF 3
REV		K8		

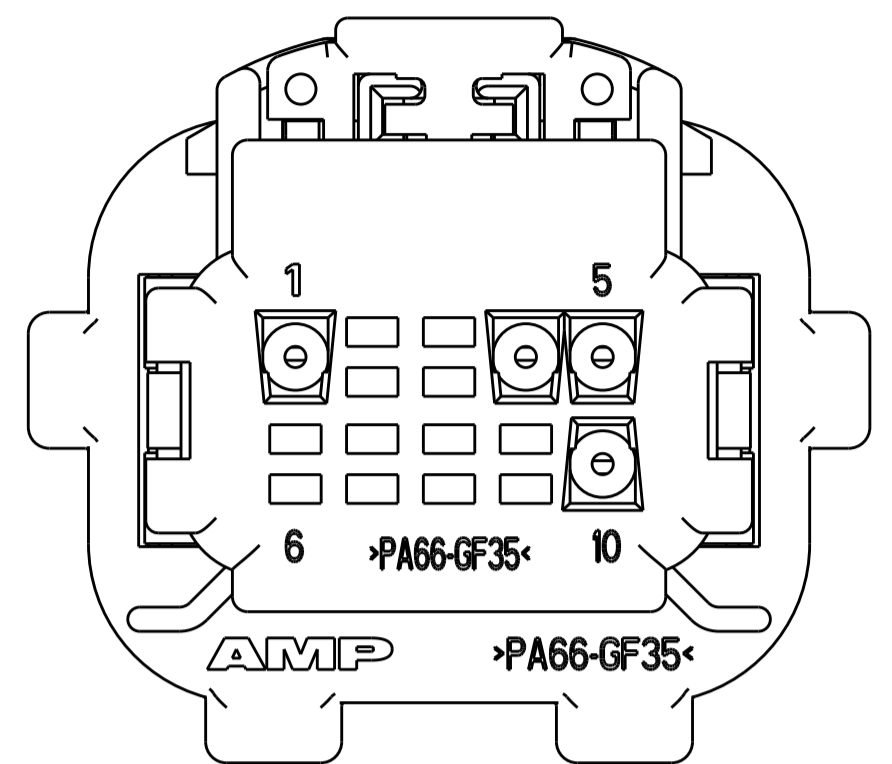
REVISIONS				
P.	LTN.	DESCRIPTION	DATE	APP'D.
-	-	SEE SHEET 1	-	-



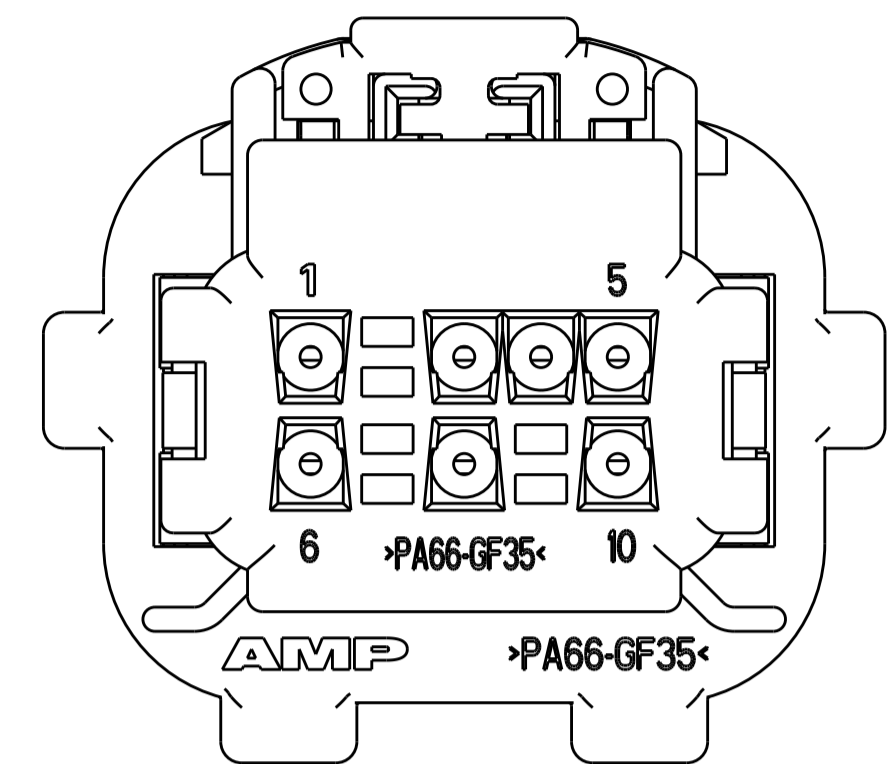
VIEW SHOWS COVER, FOR 2-638517-1



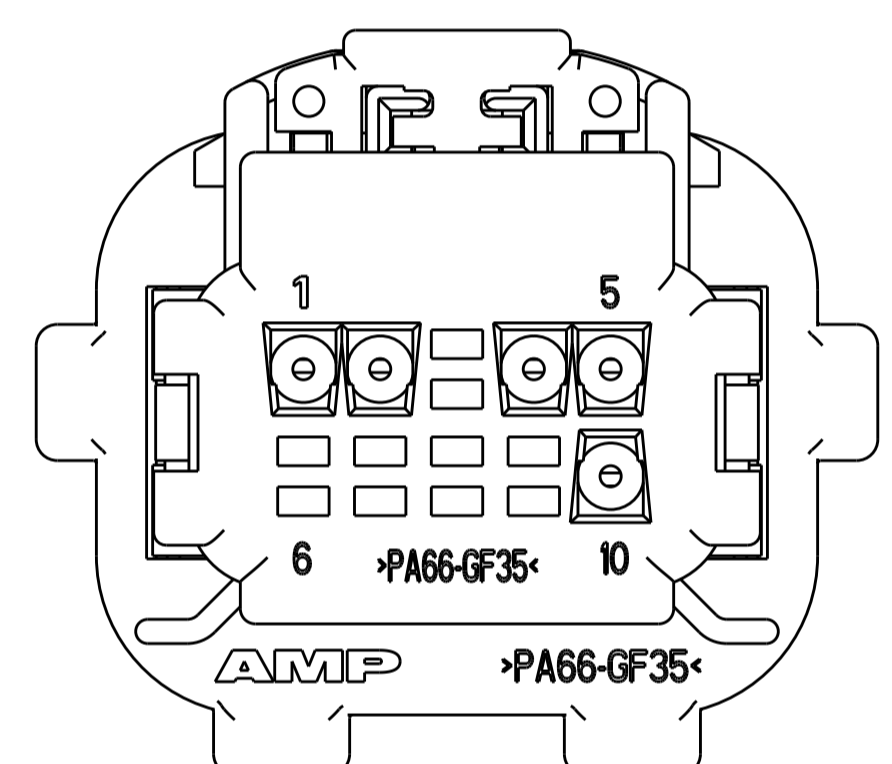
VIEW SHOWS COVER, FOR 2-638517-2



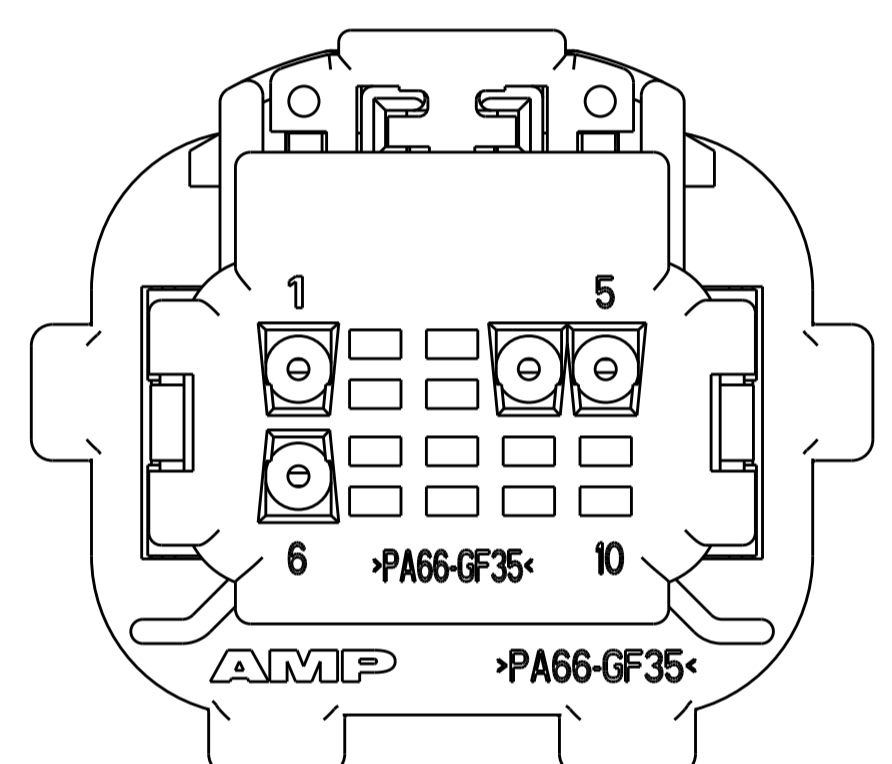
VIEW SHOWS COVER, FOR 2-638517-3



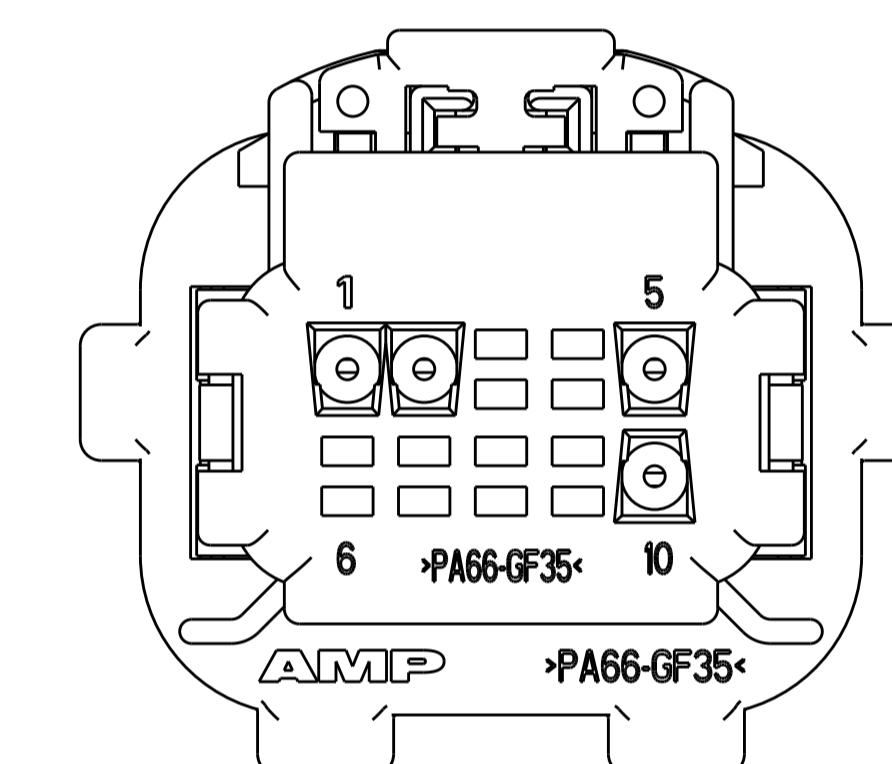
VIEW SHOWS COVER, FOR 2-638517-4 & 5-638517-4



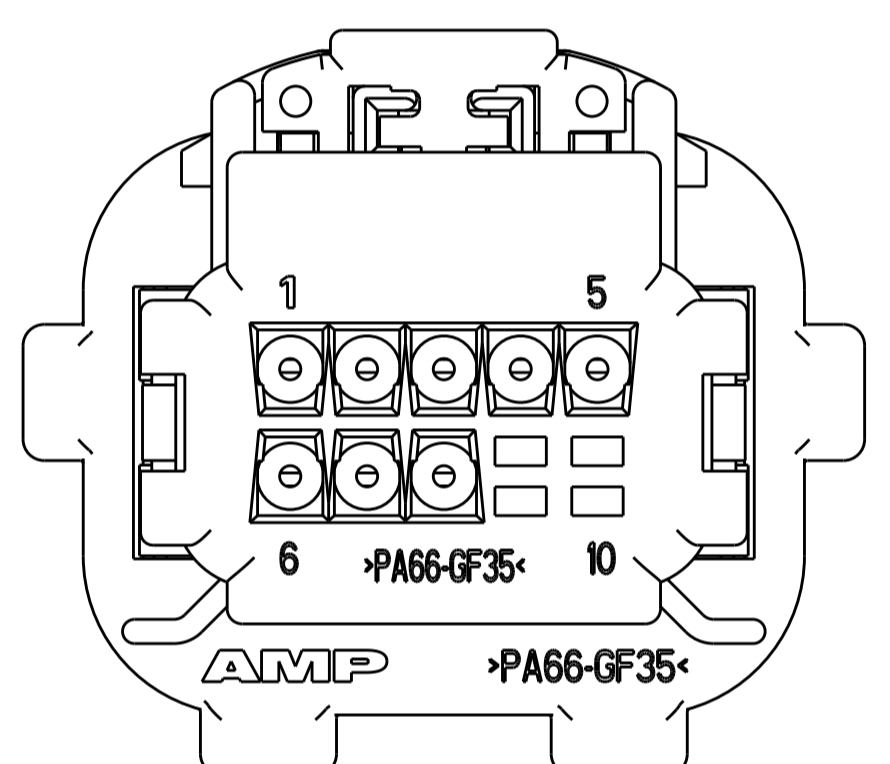
VIEW SHOWS COVER, FOR 2-638517-5



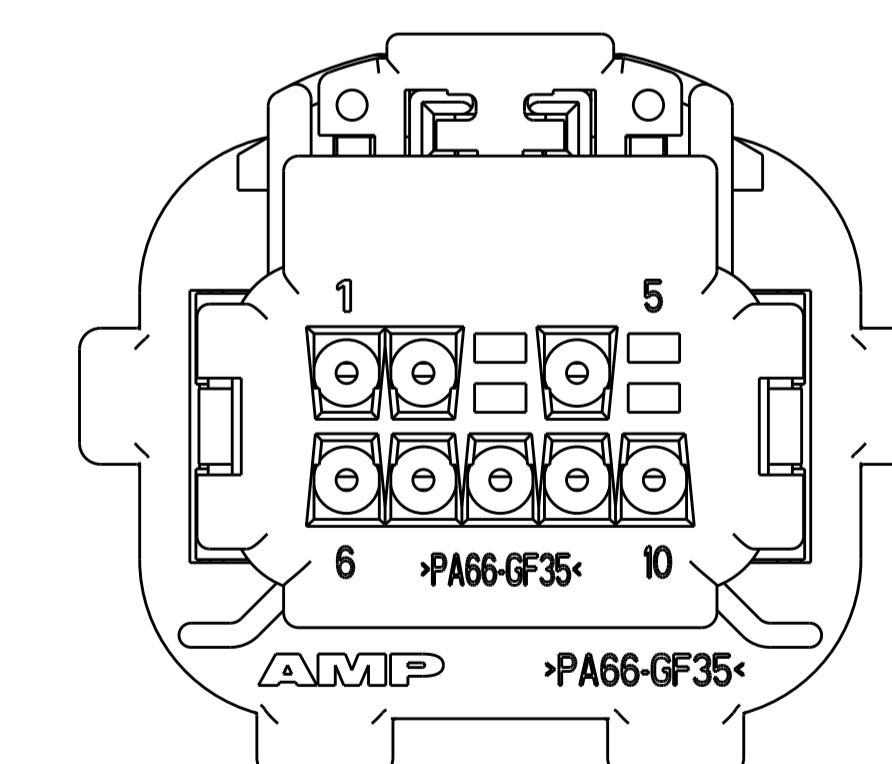
VIEW SHOWS COVER, FOR 2-638517-6



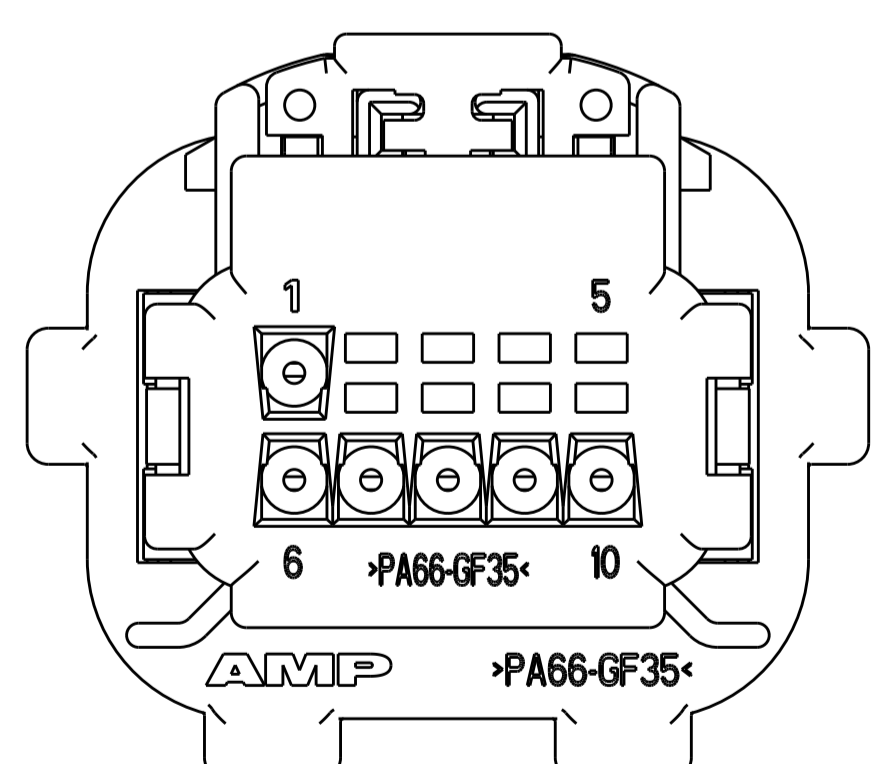
VIEW SHOWS COVER, FOR 2-638517-7



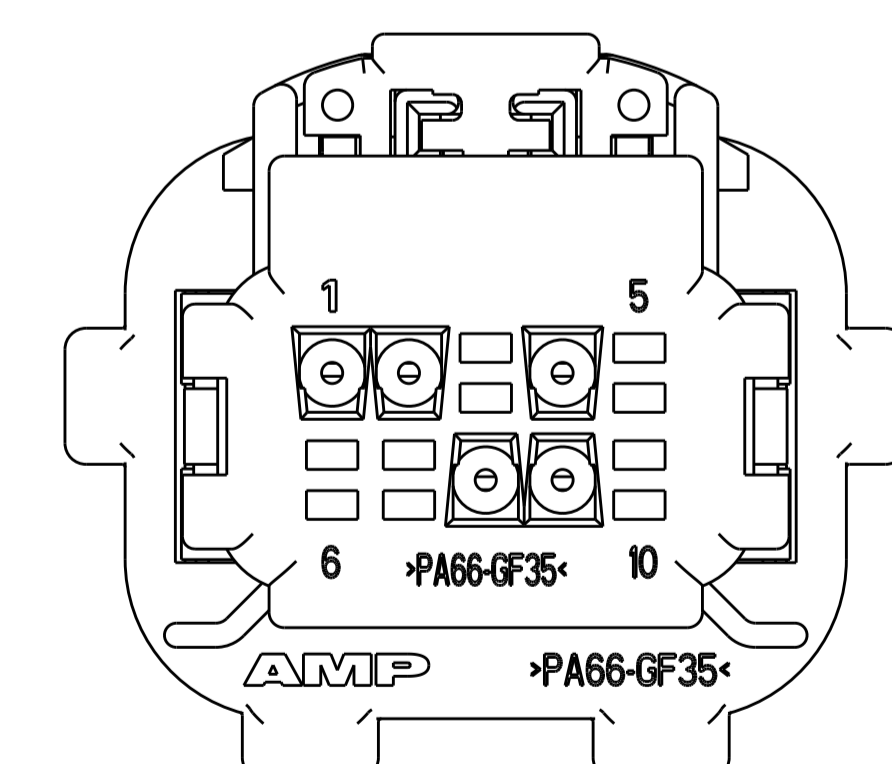
VIEW SHOWS COVER, FOR 2-638517-8



VIEW SHOWS COVER, FOR 2-638517-9



VIEW SHOWS COVER, FOR 3-638517-0



VIEW SHOWS COVER, FOR 3-638517-1

THIS DRAWING IS A CONTROLLED DOCUMENT.		OWN: R. FOLTZ 22FEB00	TE Connectivity
DIMENSIONS: mm		CHK: M. SHORE 08MAY01	
TOLERANCES UNLESS OTHERWISE SPECIFIED:		APP'D: G. BALON 08MAY01	NAME: PLUG ASSEMBLY, 10 POSITION 2X5, SEALED, 0.64mm CONNECTOR
0 PLC	±	PRODUCT SPEC	SIZE: CAGE CODE DRAWING NO. RESTRICTED TO
1 PLC	±0.2	SAE/USCAR-2 8/97	A100779C=638517
2 PLC	±0.10	APPLICATION SPEC	SCALE: 4:1 SHEET 3 OF 3 REV: K8
3 PLC	±	WEIGHT	CUSTOMER DRAWING
4 PLC	±	FINISH	
ANGLES	±		