



Chipsmall Limited consists of a professional team with an average of over 10 year of expertise in the distribution of electronic components. Based in Hongkong, we have already established firm and mutual-benefit business relationships with customers from,Europe,America and south Asia,supplying obsolete and hard-to-find components to meet their specific needs.

With the principle of “Quality Parts,Customers Priority,Honest Operation,and Considerate Service”,our business mainly focus on the distribution of electronic components. Line cards we deal with include Microchip,ALPS,ROHM,Xilinx,Pulse,ON,Everlight and Freescale. Main products comprise IC,Modules,Potentiometer,IC Socket,Relay,Connector.Our parts cover such applications as commercial,industrial, and automotives areas.

We are looking forward to setting up business relationship with you and hope to provide you with the best service and solution. Let us make a better world for our industry!



## Contact us

Tel: +86-755-8981 8866 Fax: +86-755-8427 6832

Email & Skype: info@chipsmall.com Web: www.chipsmall.com

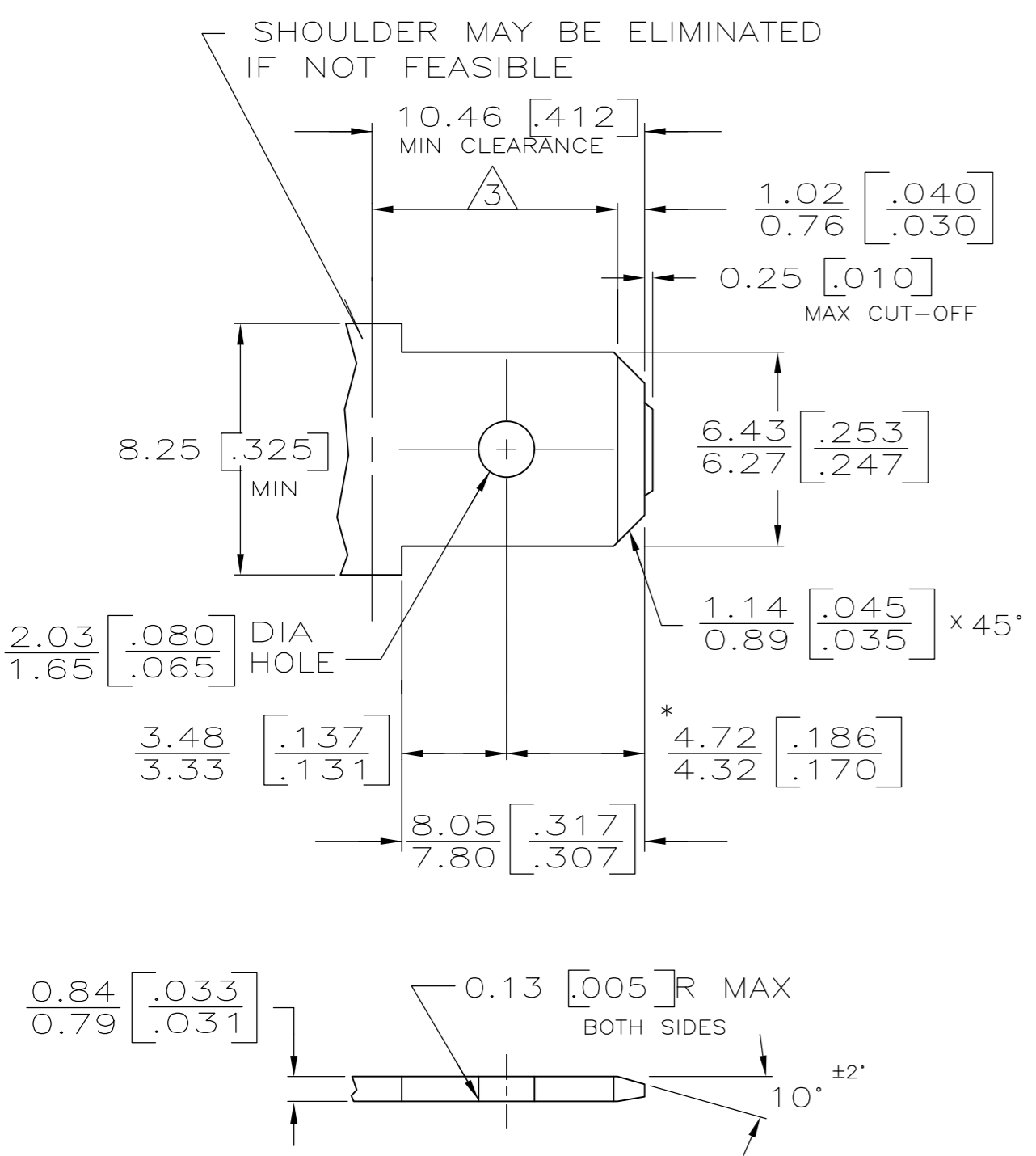
Address: A1208, Overseas Decoration Building, #122 Zhenhua RD., Futian, Shenzhen, China



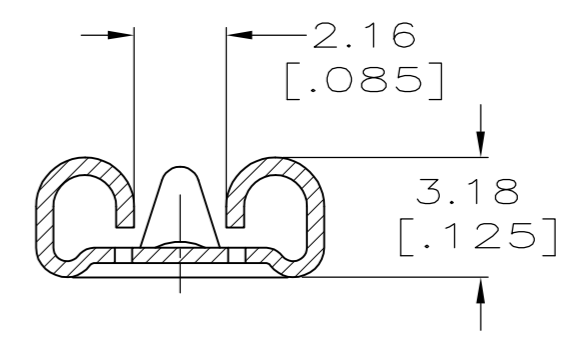
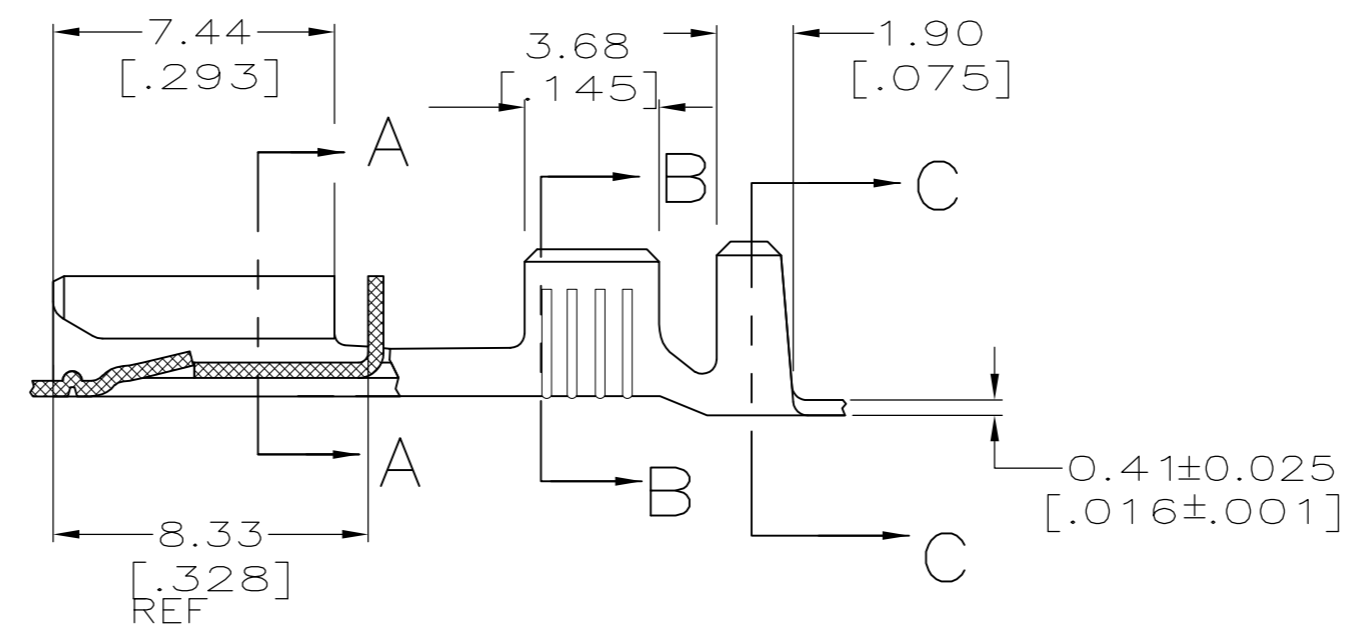
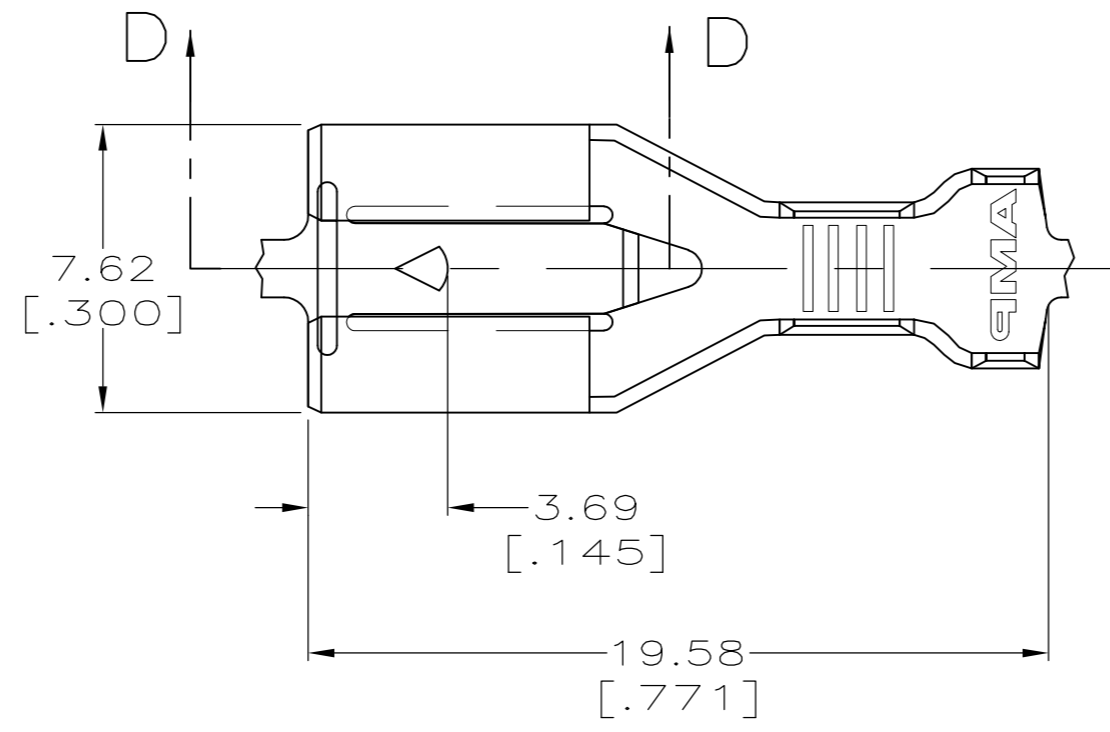
THIS DRAWING IS UNPUBLISHED. RELEASED FOR PUBLICATION  
 © COPYRIGHT - By - ALL RIGHTS RESERVED.

LOC	DIST	REVISIONS			
P	LTR	DESCRIPTION	DATE	DWN	APVD
AF	50	N1	REVISED PER ECO - 13-006421	12APR13	JR KR

# SUGGESTED MATING TAB

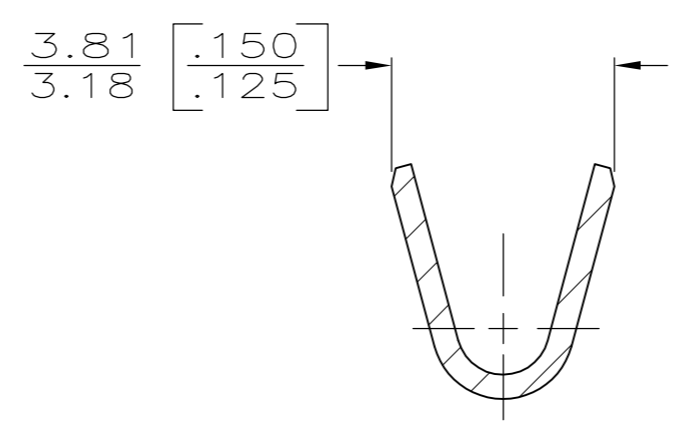


- 1 MATL: 1/2H BRASS OR NICKEL PL STEEL.
  - 2 NO BURRS PERMISSIBLE AT HOLE.
  - 3 MUST BE FLAT WITHIN 0.076 [0.003] OVER THIS LENGTH.
  - 4 TIN PLATING IS REQUIRED ON BRASS WHEN TERMINAL TEMP. IS OVER 225° F
  - 5 HOLE MUST BE SYMMETRICAL ABOUT TAB C WITHIN 0.076 [0.003]
- \* TO BE USED ONLY WHEN SHOULDER IS ELIMINATED.

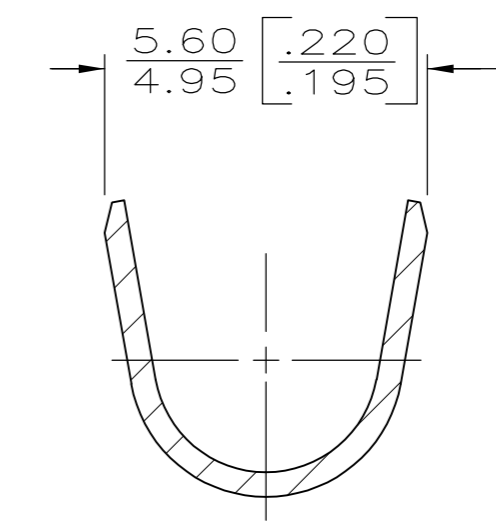


SECTION A-A

SECTION D-D



SECTION B-B



SECTION C-C

FINISH	INSULATION RANGE	WIRE SIZE	PART NO
PRE-TIN PL.	2.29-3.94 [0.090-.155] DIA	[#18-#14] AWG	63854-4
TIN PLATE	2.29-3.94 [0.090-.155] DIA	[#18-#14] AWG	63854-3
TIN PLATE	2.29-3.94 [0.090-.155] DIA	[#18-#14] AWG	63854-2
-	2.29-3.94 [0.090-.155] DIA	[#18-#14] AWG	63854-1

THIS DRAWING IS A CONTROLLED DOCUMENT.

DIMENSIONS: mm [INCHES]	TOLERANCES UNLESS OTHERWISE SPECIFIED: 0 PLC ± - 1 PLC ± - 2 PLC ± 0.25 [0.010] 3 PLC ± - 4 PLC ± - ANGLES ± -	DWN JR RUTH 4/28/95 CHK MS FEHER 4/28/95 APVD R REINER 4/28/95	NAME RECEPTACLE, POSITIVE LOCK, 6.35 [.250] SERIES
MATERIAL BRASS	FINISH SEE TABLE	114-2061 WEIGHT -	SIZE A2 CAGE CODE 00779 DRAWING NO C=63854 RESTRICTED TO -

CUSTOMER DRAWING SCALE 5:1 SHEET 1 OF 1 REV N1