



Chipsmall Limited consists of a professional team with an average of over 10 year of expertise in the distribution of electronic components. Based in Hongkong, we have already established firm and mutual-benefit business relationships with customers from,Europe,America and south Asia,supplying obsolete and hard-to-find components to meet their specific needs.

With the principle of “Quality Parts,Customers Priority,Honest Operation,and Considerate Service”,our business mainly focus on the distribution of electronic components. Line cards we deal with include Microchip,ALPS,ROHM,Xilinx,Pulse,ON,Everlight and Freescale. Main products comprise IC,Modules,Potentiometer,IC Socket,Relay,Connector.Our parts cover such applications as commercial,industrial, and automotives areas.

We are looking forward to setting up business relationship with you and hope to provide you with the best service and solution. Let us make a better world for our industry!



Contact us

Tel: +86-755-8981 8866 Fax: +86-755-8427 6832

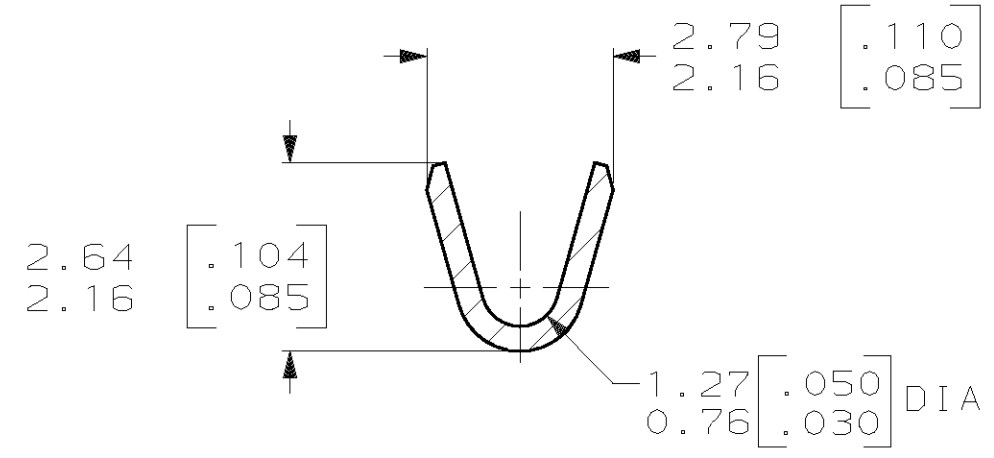
Email & Skype: info@chipsmall.com Web: www.chipsmall.com

Address: A1208, Overseas Decoration Building, #122 Zhenhua RD., Futian, Shenzhen, China

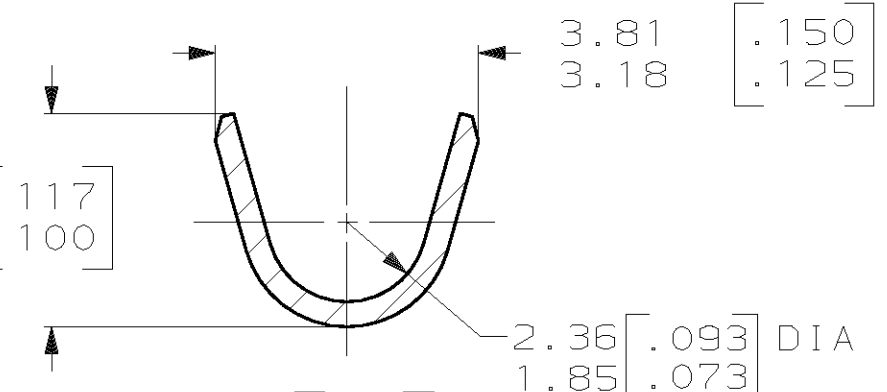


THIS DRAWING IS UNPUBLISHED. RELEASED FOR PUBLICATION, 19 .
 © COPYRIGHT 19 BY AMP INCORPORATED. ALL INTERNATIONAL RIGHTS RESERVED.

LOC	DIST	P	F	ZONE	LTR	DESCRIPTION	DATE	APPD
AF	50				C	REVISED STATUS -2 PER 0G3A-0101-02	04MAR02	MF-KR

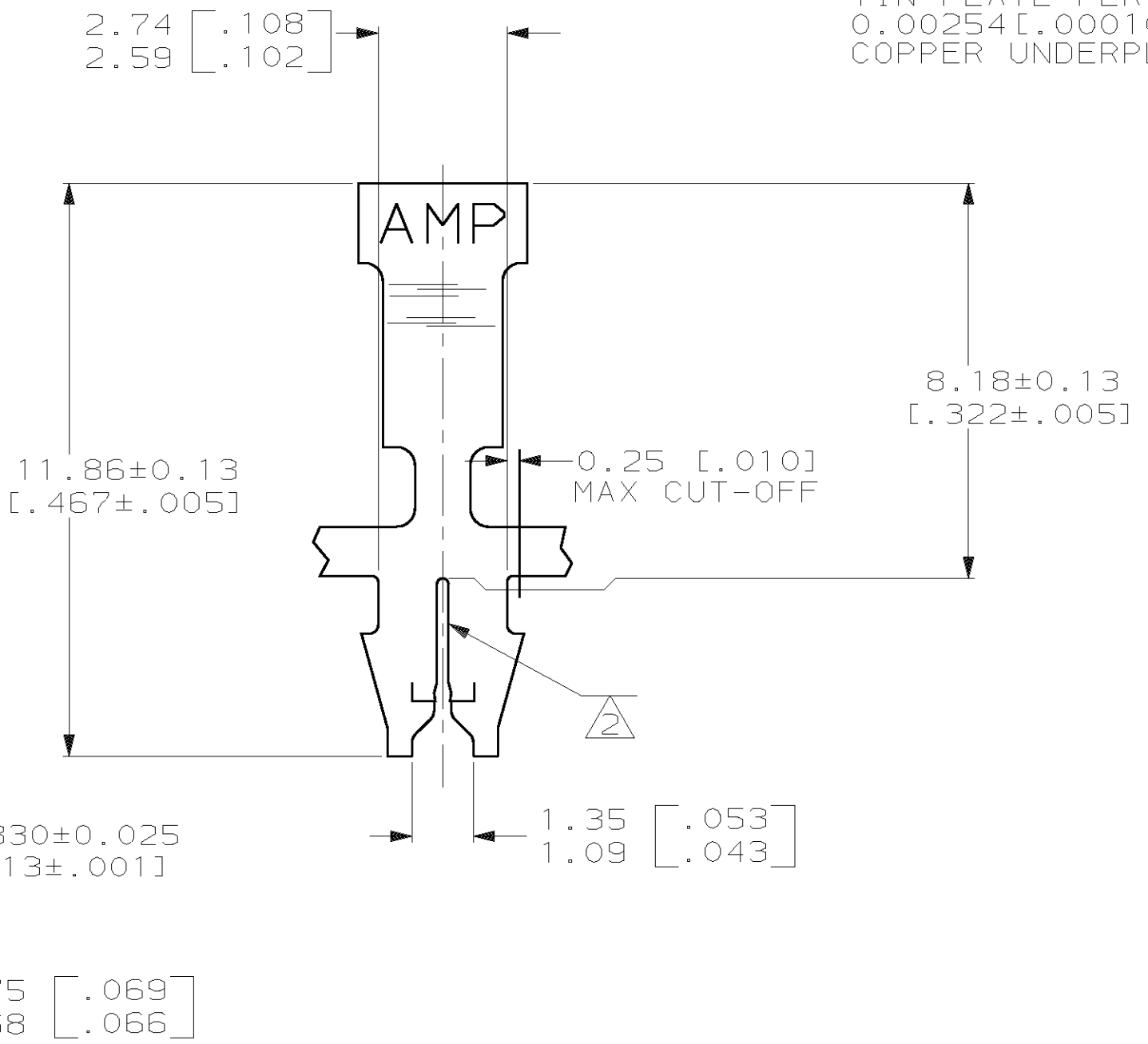
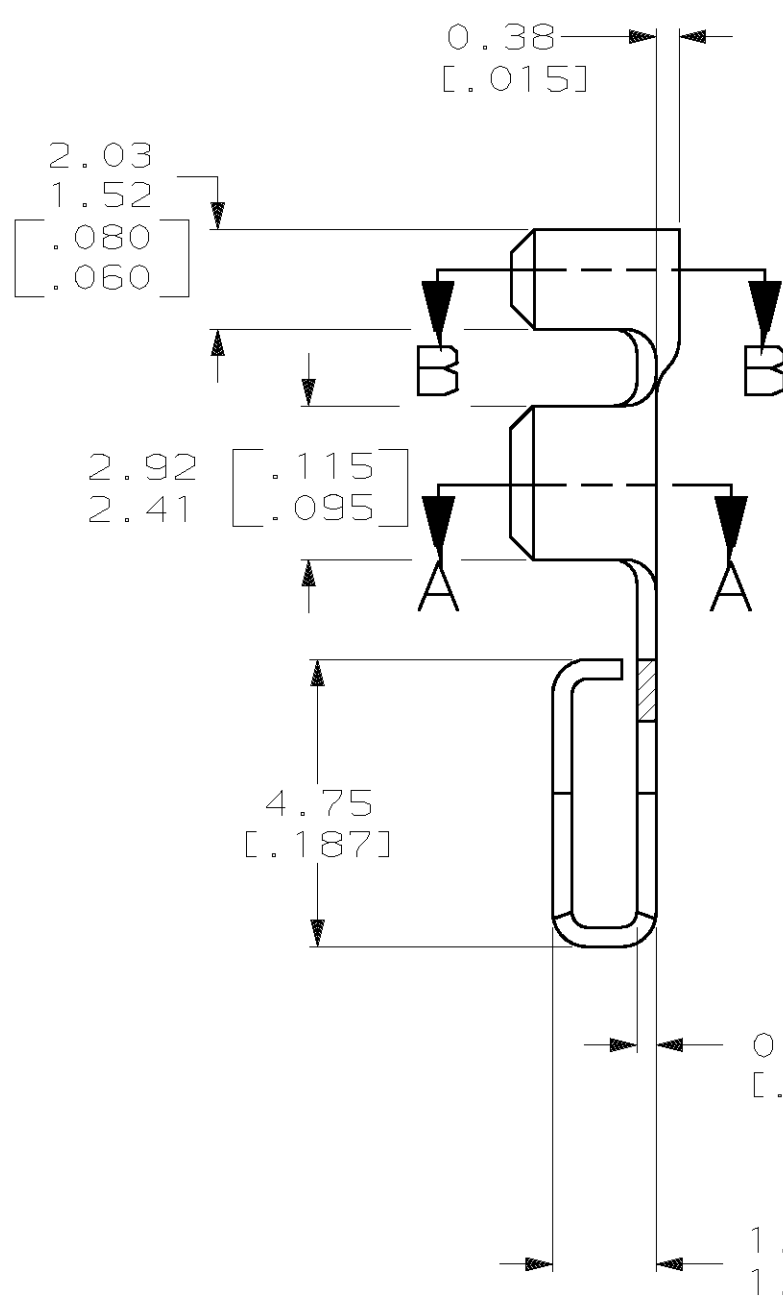
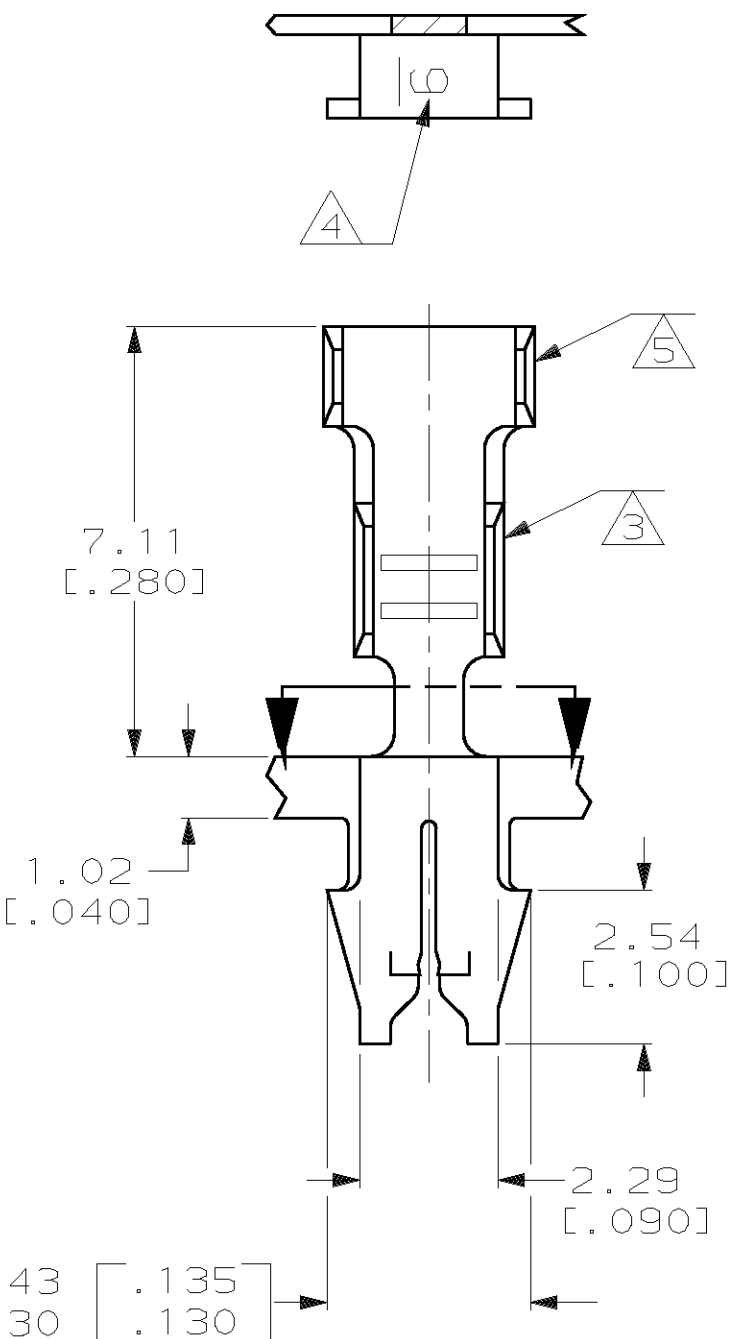


SECTION A-A
 ROTATED 90° CW
 SCALE 10:1



SECTION B-B
 ROTATED 90° CW
 SCALE 10:1

- 1 CONTINUOUS STRIP ON REELS (NO SPLICES) WITH TERMINALS LOCATED ON 8.38±0.08 [.330±.003] CENTERS.
- 2 SLOT ACCEPTS 0.36-0.45mm [#27-#25] AWG COPPER MAGNET WIRE 2 WIRES MAX OF THE SAME SIZE PER SLOT.
- 3 WIRE BARREL ACCEPTS 0.3-1.0mm² [#22-#18] AWG LEAD WIRE.
- 4 IDENTIFICATION NUMBER 9 FOR WIRE SLOT SIZE.
- 5 INSULATION BARREL ACCEPTS 1.80-2.23 [.071-.088] DIA INSULATION.
- 6 0.00203 [.000080]-0.00381 [.000150] TIN PLATE PER MIL-T-10727 OVER 0.00254 [.000100]-0.00508 [.000200] COPPER UNDERPLATE PER MIL-C-14550.



TYPE	WIDTH	STRIP LENGTH ±.015	TYPE	WIDTH	±.051 [.002] HEIGHT	WIRE
INSUL BARREL CRIMP	2.79 [.110]	3.56 [.140]	F	1.78 [.070]	1.08 [.043]	0.4mm [22]
					1.18 [.047]	0.5mm [20]
					1.32 [.052]	0.8mm [18]

THIS DRAWING IS A CONTROLLED DOCUMENT FOR AMP INCORPORATED. IT IS SUBJECT TO CHANGE AND THE CONTROLLING ENGINEERING ORGANIZATION SHOULD BE CONTACTED FOR THE LATEST REVISION.

DO NOT SCALE PRINT. UNLESS SPECIFIED DIMENSIONS IN mm [INCHES] TOLERANCES ON : 2 PLC DEC ± 0.13 [.005] 3 PLC DEC ± - ANGLES ± -	DR 07/JUN/95 MICHAEL S. FEHER CHK 08/JUN/95 JEFF R. RUTH APPD 08/JUN/95 KURT A. RANDOLPH APPD 08/JUN/95 TERRY L. SHUTTER
MATERIAL H04 BRASS	PRODUCT SPEC 108-2012
FINISH 6	APPLICATION SPEC 114-2069
	WEIGHT -

REVERSE	63856-2
STANDARD	63856-1
REELING	PART NUMBER

AMP Incorporated Harrisburg, PA 17105-3608		
NAME TERMINAL, F-CRIMP, MAG-MATE™		
SIZE C	CAGE CODE 00779	DRAWING NO C=63856
SCALE 8:1	SHEET 1 OF 1	