



Chipsmall Limited consists of a professional team with an average of over 10 year of expertise in the distribution of electronic components. Based in Hongkong, we have already established firm and mutual-benefit business relationships with customers from,Europe,America and south Asia,supplying obsolete and hard-to-find components to meet their specific needs.

With the principle of “Quality Parts,Customers Priority,Honest Operation,and Considerate Service”,our business mainly focus on the distribution of electronic components. Line cards we deal with include Microchip,ALPS,ROHM,Xilinx,Pulse,ON,Everlight and Freescale. Main products comprise IC,Modules,Potentiometer,IC Socket,Relay,Connector.Our parts cover such applications as commercial,industrial, and automotives areas.

We are looking forward to setting up business relationship with you and hope to provide you with the best service and solution. Let us make a better world for our industry!



Contact us

Tel: +86-755-8981 8866 Fax: +86-755-8427 6832

Email & Skype: info@chipsmall.com Web: www.chipsmall.com

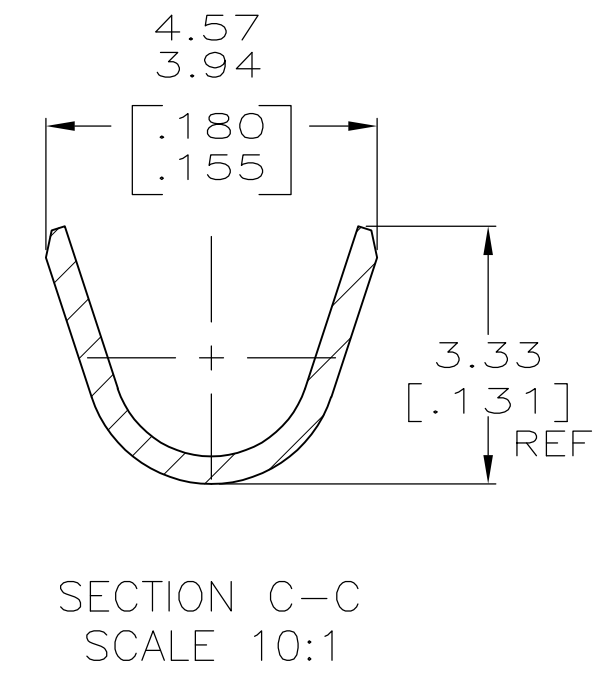
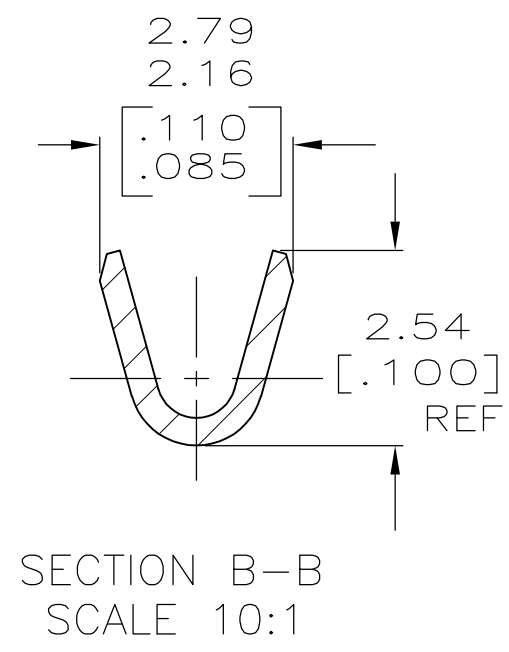
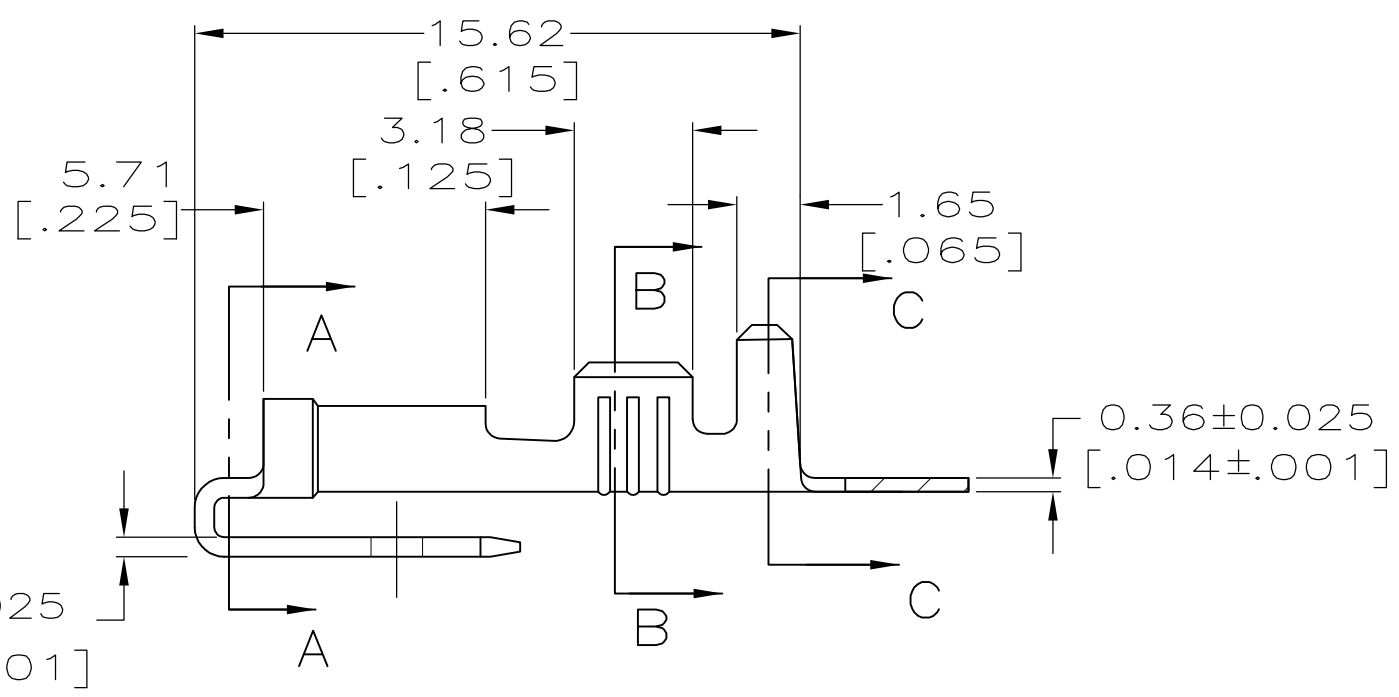
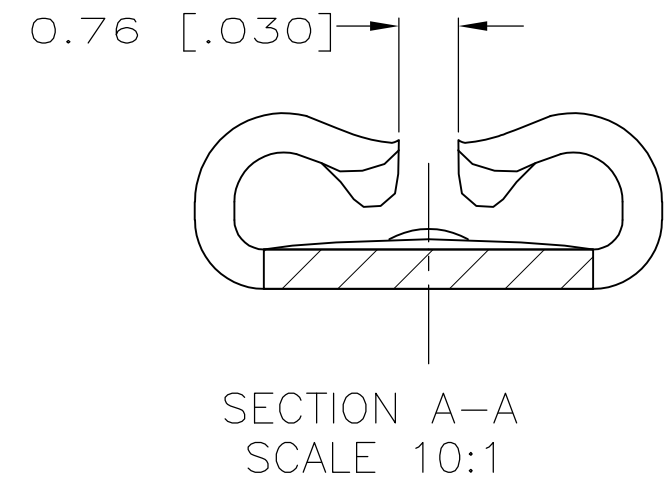
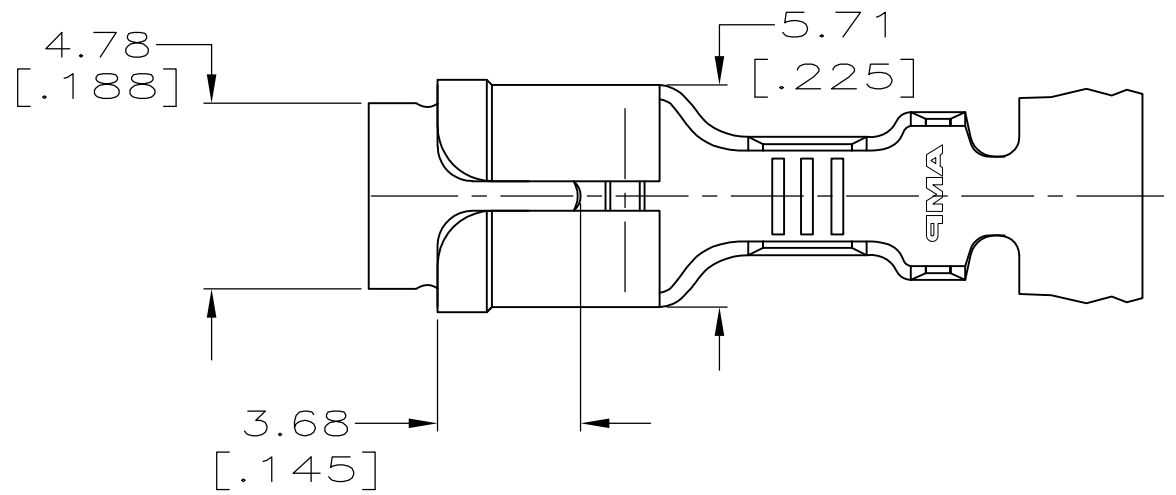
Address: A1208, Overseas Decoration Building, #122 Zhenhua RD., Futian, Shenzhen, China



THIS DRAWING IS UNPUBLISHED. RELEASED FOR PUBLICATION
 © COPYRIGHT - By - ALL RIGHTS RESERVED.

LOC	DIST	REVISIONS					
AF	50	P	LTR	DESCRIPTION	DATE	DWN	APVD
			C	REVISED PER ECR-12-013518	24NOV12	KH	PD

1 CONTINUOUS STRIP ON REELS.



1.52 - 2.54 DIA [.060-.100] DIA	[#22-#18] AWG	0.51±0.025 [.020±.001]	63873-1
INSULATION RANGE	WIRE SIZE	MATING TAB THICKNESS	PART NO

F OR O	3.56 [.140]	5.59 [.220]	F	1.78 [.070]	1.19 [.047] [#22]	
					1.27 [.050] [#20]	
					1.42 [.056] [#18]	
TYPE	WIDTH	STRIP LENGTH ±0.38 ±[.015]	TYPE	WIDTH	±0.051 ±[.002] HEIGHT	WIRE
INSUL BARREL CRIMP			WIRE BARREL CRIMP			

THIS DRAWING IS A CONTROLLED DOCUMENT.

DIMENSIONS: mm [INCHES]	TOLERANCES UNLESS OTHERWISE SPECIFIED: 0 PLC ± - 1 PLC ± - 2 PLC ± 0.25 [.010] 3 PLC ± - 4 PLC ± - ANGLES ± -	DWN JR RUTH 9/26/95 CHK P FORTNEY 9/26/95 APVD P DESANTIS 9/26/95 PRODUCT SPEC APPLICATION SPEC 114-2082 WEIGHT -	TE Connectivity RECEPTACLE & TAB, FASTON, PIGGYBACK, 4.75 [.187] SERIES	
MATERIAL BRASS	FINISH TIN	CUSTOMER DRAWING	SIZE A3	CAGE CODE 00779
		SCALE 5:1	DRAWING NO C-63873	SHEET 1 OF 1
			RESTRICTED TO -	REV C