



Chipsmall Limited consists of a professional team with an average of over 10 year of expertise in the distribution of electronic components. Based in Hongkong, we have already established firm and mutual-benefit business relationships with customers from,Europe,America and south Asia,supplying obsolete and hard-to-find components to meet their specific needs.

With the principle of "Quality Parts,Customers Priority,Honest Operation,and Considerate Service",our business mainly focus on the distribution of electronic components. Line cards we deal with include Microchip,ALPS,ROHM,Xilinx,Pulse,ON,Everlight and Freescale. Main products comprise IC,Modules,Potentiometer,IC Socket,Relay,Connector.Our parts cover such applications as commercial,industrial, and automotives areas.

We are looking forward to setting up business relationship with you and hope to provide you with the best service and solution. Let us make a better world for our industry!



Contact us

Tel: +86-755-8981 8866 Fax: +86-755-8427 6832

Email & Skype: info@chipsmall.com Web: www.chipsmall.com

Address: A1208, Overseas Decoration Building, #122 Zhenhua RD., Futian, Shenzhen, China

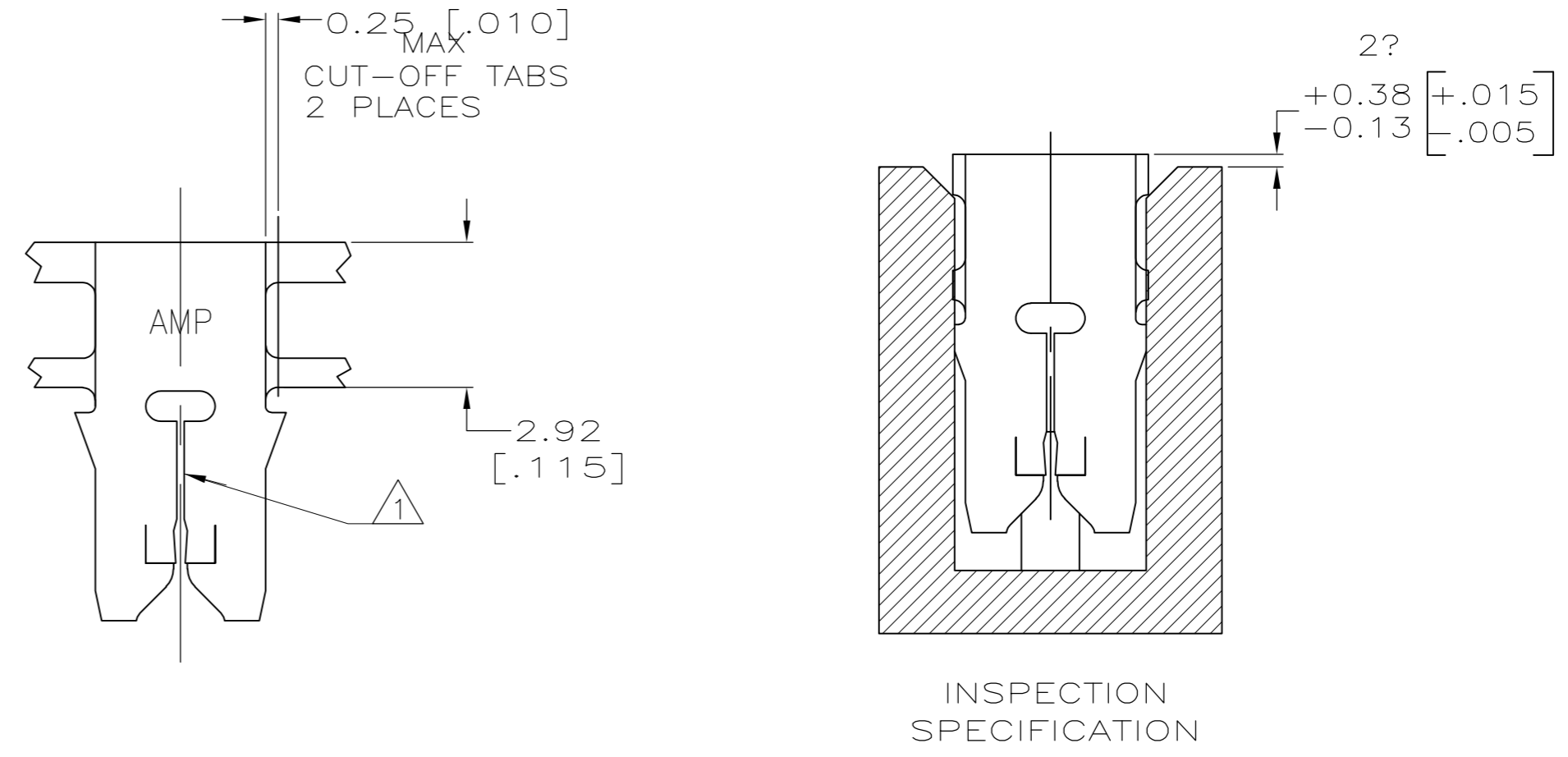
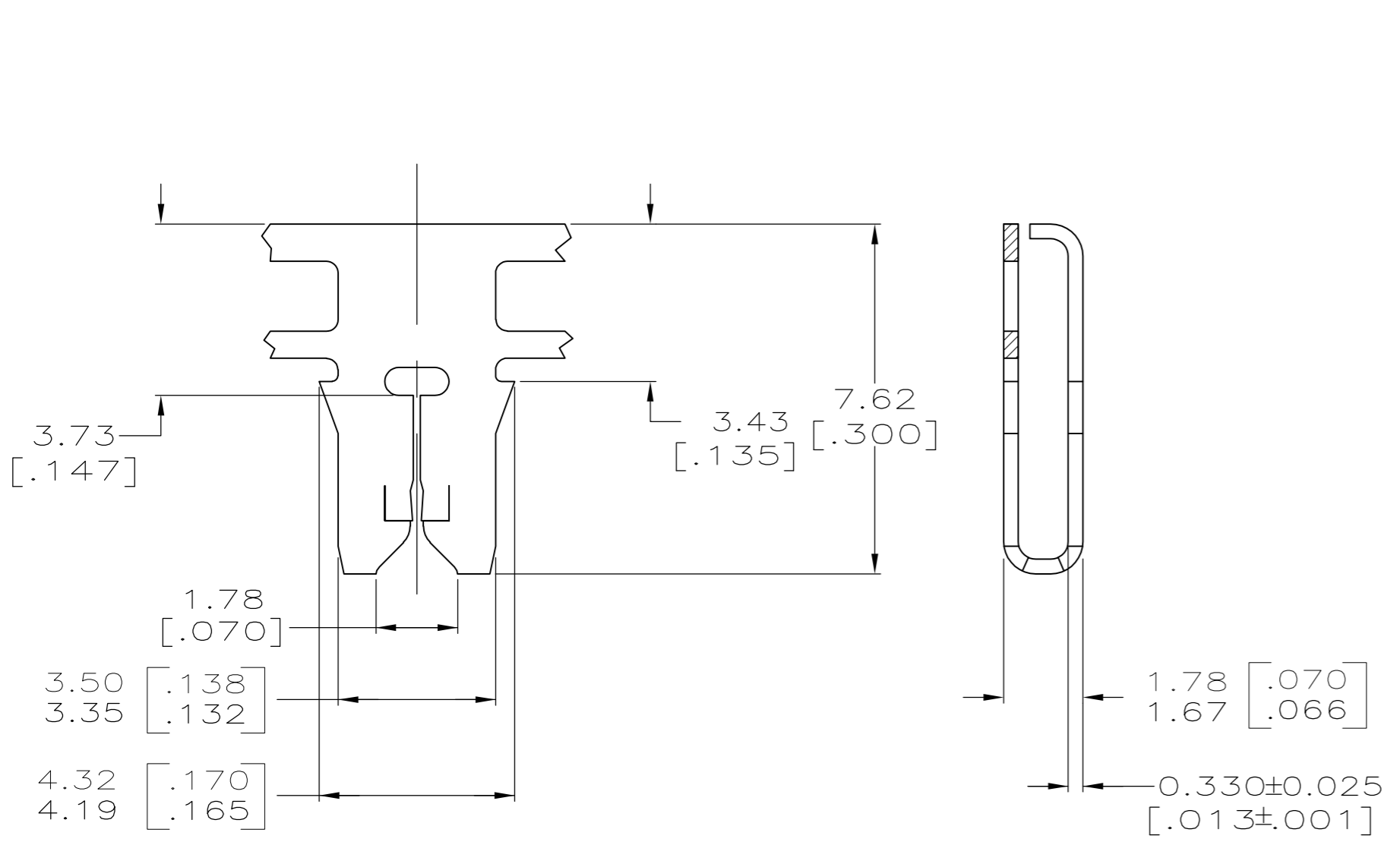
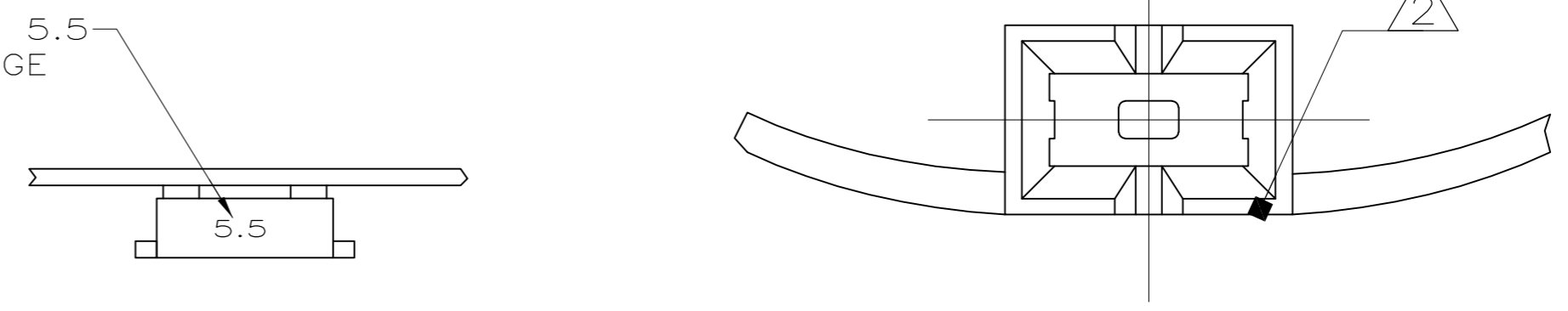


THIS DRAWING IS UNPUBLISHED. RELEASED FOR PUBLICATION
 © COPYRIGHT - By - ALL RIGHTS RESERVED.

LOC		DIST		REVISIONS			
P	LTR	DESCRIPTION		DATE	DWN	APVD	
	B1	ECR-13-017177		05NOV13	PKS	RRP	

- ① SLOT TERMINATES 0.20-0.25mm [#32-#30] AWG COPPER MAGNET WIRE EITHER SINGLE OR DOUBLE OF THE SAME SIZE.
- ② POINT OF MEASUREMENT, LOCATED APPROXIMATELY AS SHOWN
- 3 CONTINUOUS STRIP ON REELS WITH TERMINALS LOCATED ON 8.38±0.076[.330±.003] CENTERS

IDENTIFICATION NUMBER 5.5 FOR MAGNET WIRE RANGE



63877-1
PART NO.

THIS DRAWING IS A CONTROLLED DOCUMENT.		DWN R.GRZYBOWSKI 5/APR/95	TE Connectivity	
DIMENSIONS: INCHES		CHK M.S.FEHER 9/MAY/95	NAME	
TOLERANCES UNLESS OTHERWISE SPECIFIED:		APVD -	PRODUCT SPEC 108-2012	
0 PLC ± -		APPLICATION SPEC 114-2046		
1 PLC ± -		SIZE A2		
2 PLC ± 0.25 [.010]		CAGE CODE 00779		
3 PLC ± -		DRAWING NO 63877		
4 PLC ± -		RESTRICTED TO -		
ANGLES ± -		SCALE 8:1		
FINISH TIN PLATED		SHEET 1 of 1		
MATERIAL BRASS		REV B1		
CUSTOMER DRAWING		SCALE 8:1		