



Chipsmall Limited consists of a professional team with an average of over 10 year of expertise in the distribution of electronic components. Based in Hongkong, we have already established firm and mutual-benefit business relationships with customers from,Europe,America and south Asia,supplying obsolete and hard-to-find components to meet their specific needs.

With the principle of “Quality Parts,Customers Priority,Honest Operation,and Considerate Service”,our business mainly focus on the distribution of electronic components. Line cards we deal with include Microchip,ALPS,ROHM,Xilinx,Pulse,ON,Everlight and Freescale. Main products comprise IC,Modules,Potentiometer,IC Socket,Relay,Connector.Our parts cover such applications as commercial,industrial, and automotives areas.

We are looking forward to setting up business relationship with you and hope to provide you with the best service and solution. Let us make a better world for our industry!



Contact us

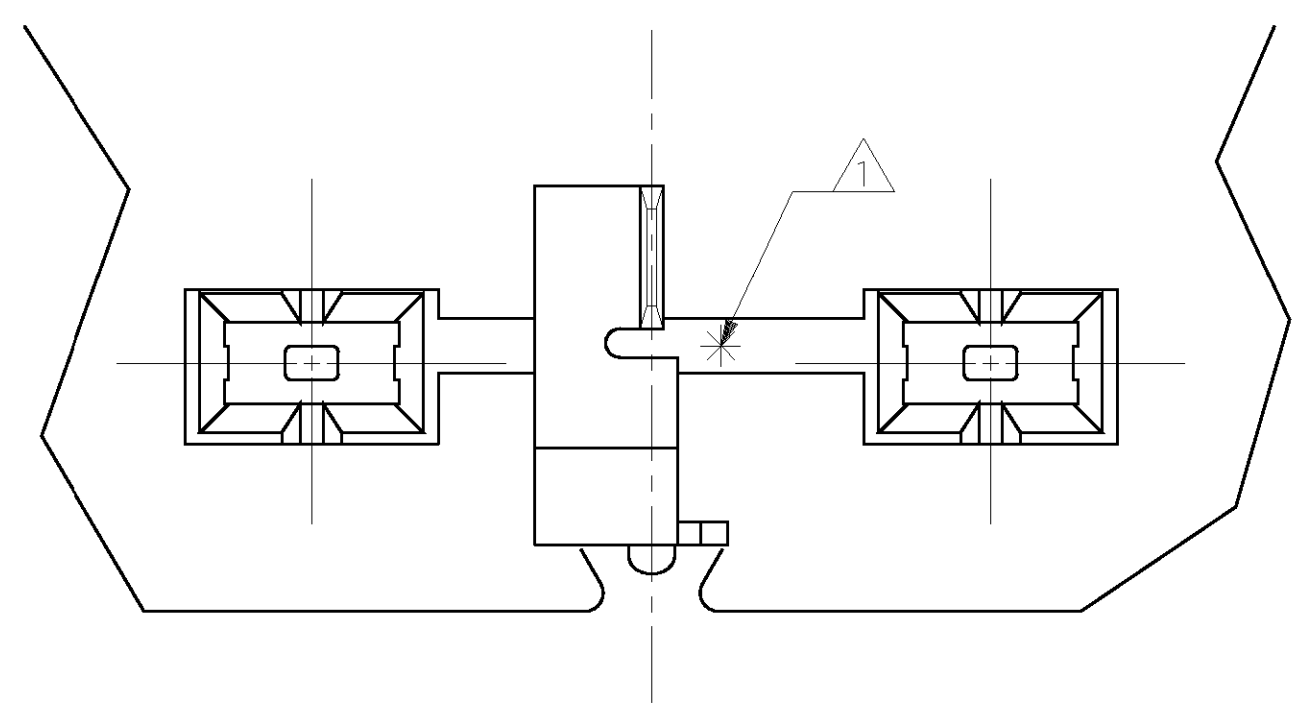
Tel: +86-755-8981 8866 Fax: +86-755-8427 6832

Email & Skype: info@chipsmall.com Web: www.chipsmall.com

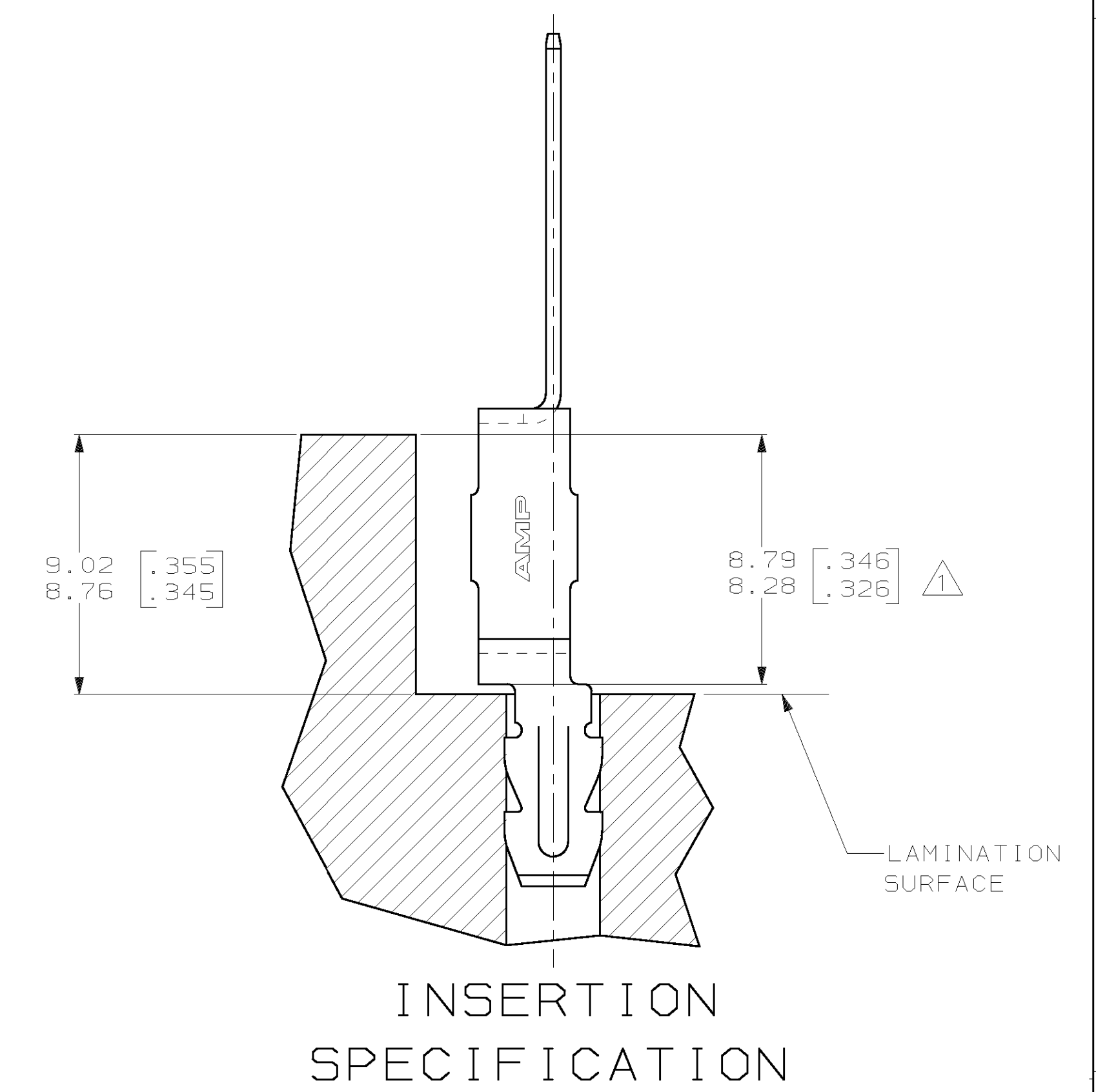
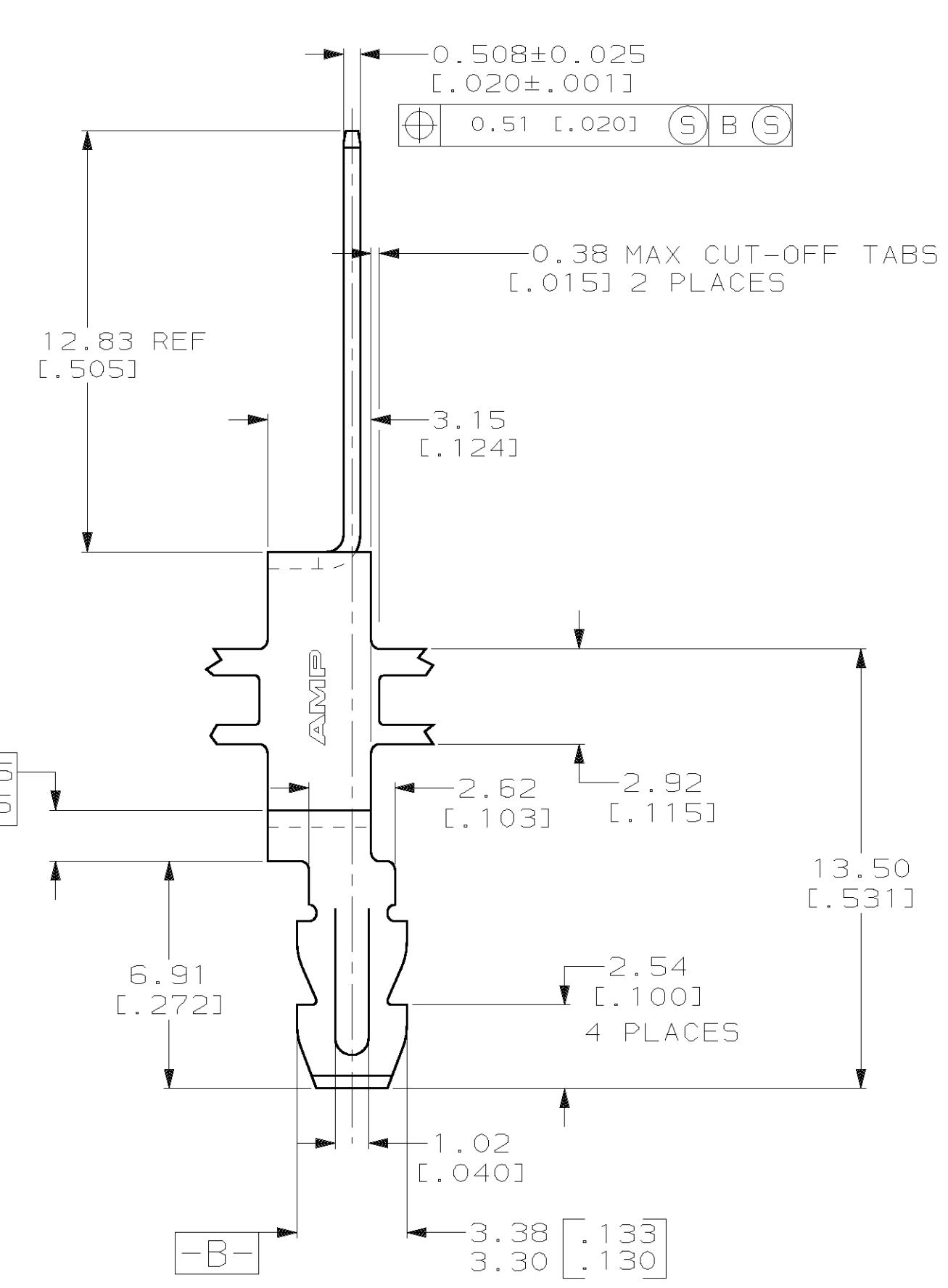
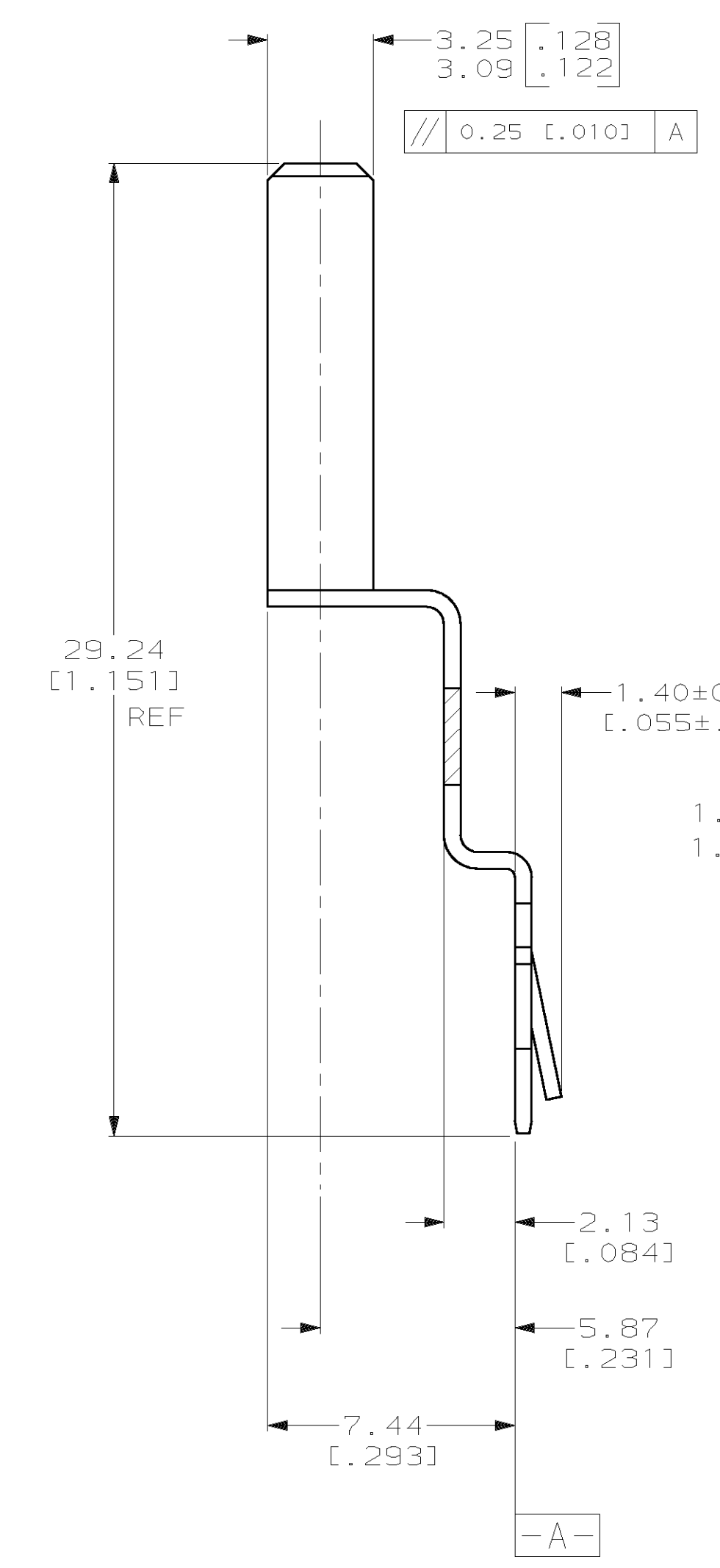
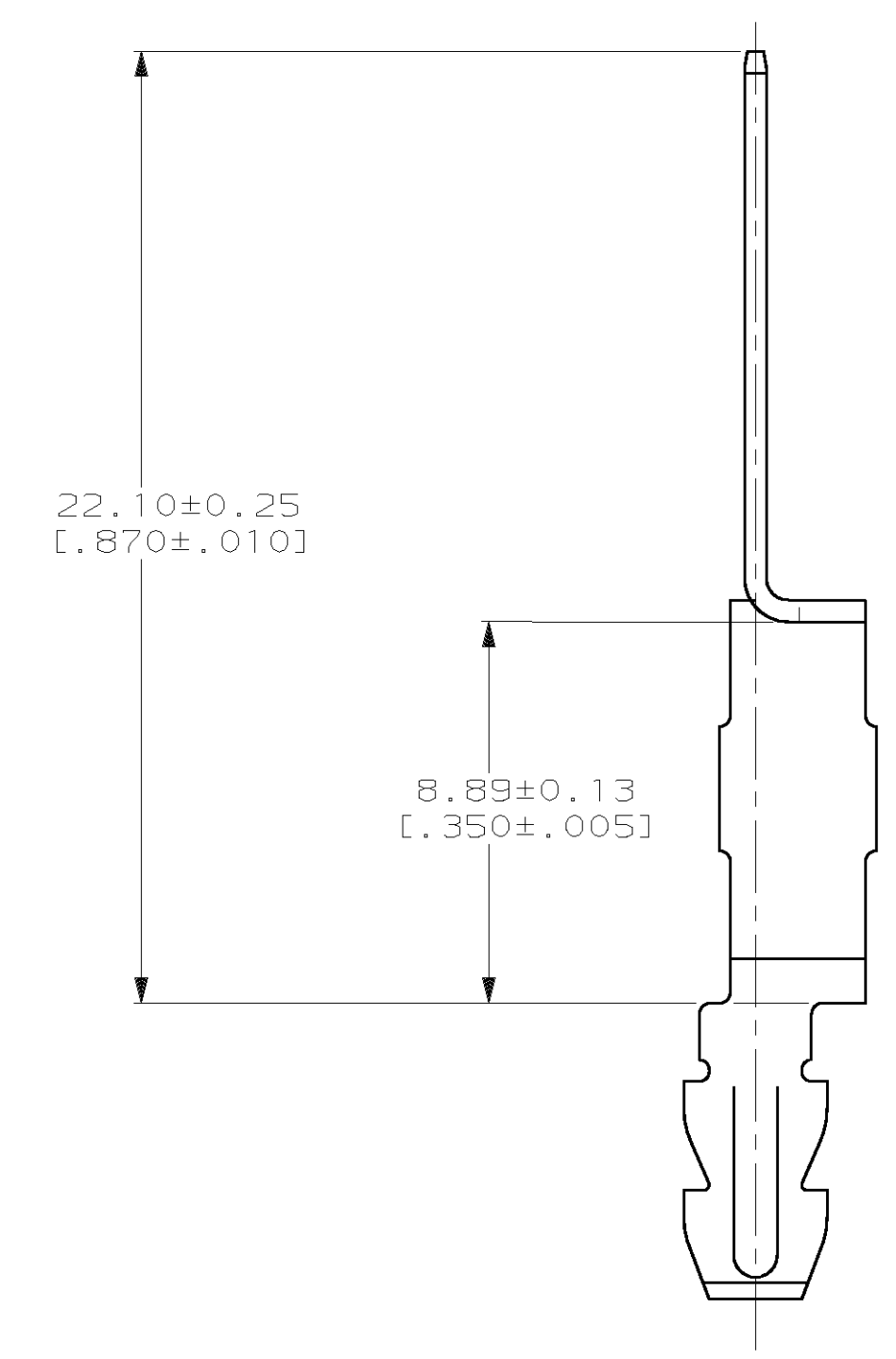
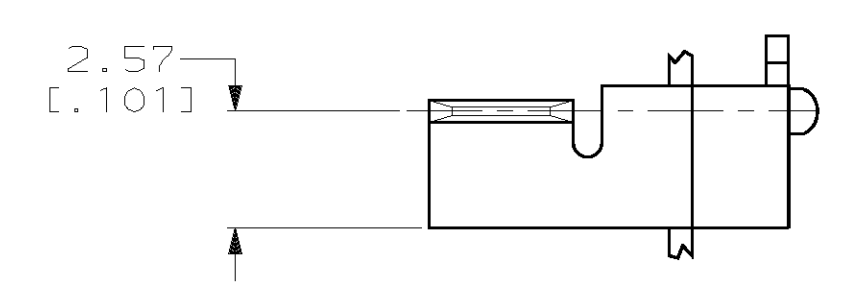
Address: A1208, Overseas Decoration Building, #122 Zhenhua RD., Futian, Shenzhen, China



LOC		DIST		P		F		ZONE		LTR		REVISIONS	
DESCRIPTION	DATE	APPD											
C	REVISED LATCH HEIGHT 063A-0009-01	16JAN01	MF-KR										



- 1 POINT OF MEASUREMENT, LOCATED APPROXIMATELY AS SHOWN.
- 2 CONTINUOUS STRIP ON REELS WITH TERMINALS LOCATED ON 16.64±0.076 [.655±.003] CENTERS



DO NOT SCALE PRINT. UNLESS SPECIFIED DIMENSIONS IN mm [INCHES] TOLERANCES ON:		DR 26/SEP/95 R.GRZYBOWSKI		63878-1 PART NO	
2 PLC DEC ± 0.25 [.010]		CHK 26/SEP/95 M.S.FEHER		AMP AMP Incorporated Harrisburg, PA 17105-3508	
3 PLC DEC ± -		APPD 26/SEP/95 NELSON E. NEFF		NAME	
ANGLES ± -		APPD 26/SEP/95 TERRY L. SHUTTER		TERMINAL, GROUNDING, 3.18 [.125] TAB, MAG-MATE™	
MATERIAL 4M BRASS		PRODUCT SPEC -		SIZE D	
FINISH 0.002032 [.000080] MIN PRE-TIN PER MIL-T-10727		APPLICATION SPEC -		CAGE CODE 00779	
THIS DRAWING IS A CONTROLLED DOCUMENT FOR AMP INCORPORATED. IT IS SUBJECT TO CHANGE AND THE CONTROLLING ENGINEERING ORGANIZATION SHOULD BE CONTACTED FOR THE LATEST REVISION.		WEIGHT -		DRAWING NO C-63878	
		SCALE 6:1		SHEET 1 OF 1	