



Chipsmall Limited consists of a professional team with an average of over 10 year of expertise in the distribution of electronic components. Based in Hongkong, we have already established firm and mutual-benefit business relationships with customers from,Europe,America and south Asia,supplying obsolete and hard-to-find components to meet their specific needs.

With the principle of “Quality Parts,Customers Priority,Honest Operation,and Considerate Service”,our business mainly focus on the distribution of electronic components. Line cards we deal with include Microchip,ALPS,ROHM,Xilinx,Pulse,ON,Everlight and Freescale. Main products comprise IC,Modules,Potentiometer,IC Socket,Relay,Connector.Our parts cover such applications as commercial,industrial, and automotives areas.

We are looking forward to setting up business relationship with you and hope to provide you with the best service and solution. Let us make a better world for our industry!



Contact us

Tel: +86-755-8981 8866 Fax: +86-755-8427 6832

Email & Skype: info@chipsmall.com Web: www.chipsmall.com

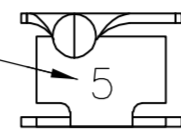
Address: A1208, Overseas Decoration Building, #122 Zhenhua RD., Futian, Shenzhen, China



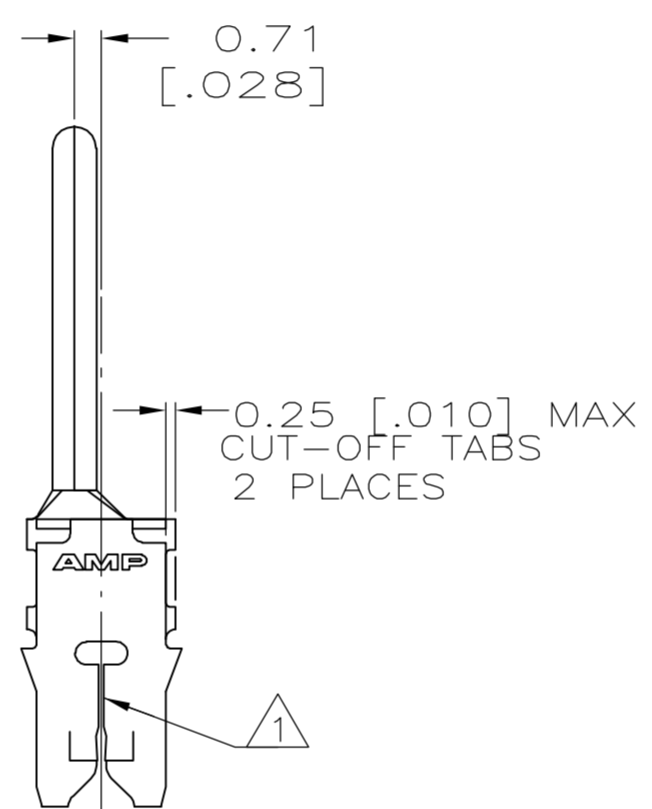
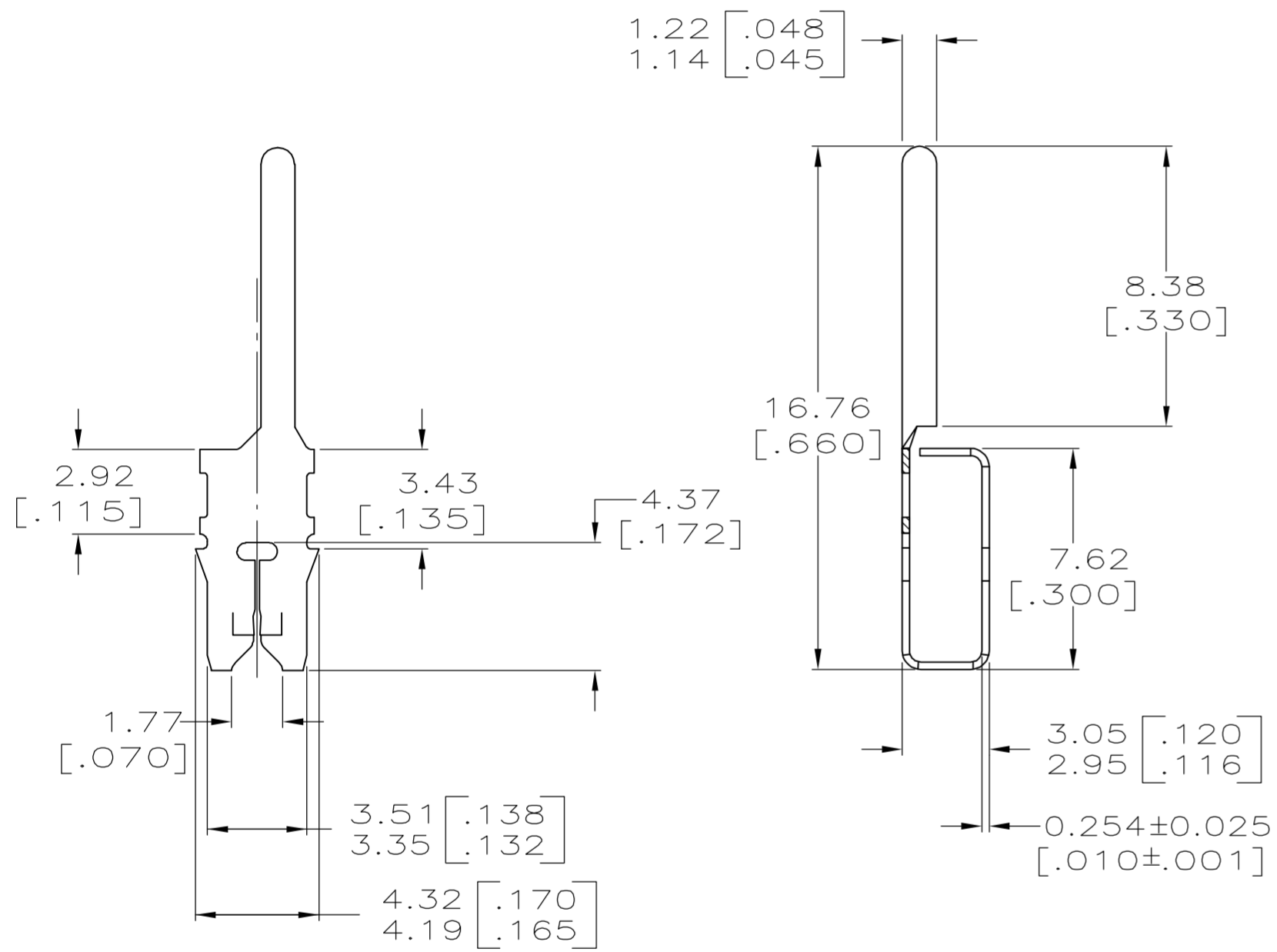
THIS DRAWING IS UNPUBLISHED. RELEASED FOR PUBLICATION
 © COPYRIGHT BY TYCO ELECTRONICS CORPORATION. ALL RIGHTS RESERVED.

LOC	DIST	REVISIONS			
P	LTR	DESCRIPTION	DATE	DWN	APVD
AF	50	C	REV PER ECR 05-010705	03NOV05	JR KR

IDENTIFICATION NUMBER FOR
MAGNET WIRE RANGE



- ① SLOT TERMINATES EITHER SINGLE OR DOUBLE COPPER MAGNET WIRES OF THE SAME SIZE, 0.23-0.32mm [#31-#28] AWG.
- ② 0.002032 - 0.00381 [.000080-.000150] TIN PLATE PER MIL-T-10727



63879-1
PART NO.

THIS DRAWING IS A CONTROLLED DOCUMENT.		DWN 11/OCT/95 MICHAEL S. FEHER	tyco Tyco Electronics Corporation	
TERMINATIONS SHUTTER		CHK 16/OCT/95 RICHARD GRZYBOWSKI	Harrisburg, PA 17105-3608	
INCHES		APVD 16/OCT/95 TL SHUTTER	NAME	
TOLERANCES UNLESS OTHERWISE SPECIFIED:		PRODUCT SPEC 108-2012	PIN, LOOSE PIECE, 1.22 [.048] DIA, LEFT HAND, MAG-MATE	
0 PLC ± -		APPLICATION SPEC 114-2046	SIZE A2	RESTRICTED TO
1 PLC ± -		WEIGHT -	CAGE CODE 00779	DRAWING NO C=63879
2 PLC ± 0.15 [.006]		CUSTOMER DRAWING	SCALE 5:1	
3 PLC ± -			SHEET 1 of 1	REV C
4 PLC ± -				
ANGLES ± -				
FINISH ②				

63879