



Chipsmall Limited consists of a professional team with an average of over 10 year of expertise in the distribution of electronic components. Based in Hongkong, we have already established firm and mutual-benefit business relationships with customers from,Europe,America and south Asia,supplying obsolete and hard-to-find components to meet their specific needs.

With the principle of “Quality Parts,Customers Priority,Honest Operation,and Considerate Service”,our business mainly focus on the distribution of electronic components. Line cards we deal with include Microchip,ALPS,ROHM,Xilinx,Pulse,ON,Everlight and Freescale. Main products comprise IC,Modules,Potentiometer,IC Socket,Relay,Connector.Our parts cover such applications as commercial,industrial, and automotives areas.

We are looking forward to setting up business relationship with you and hope to provide you with the best service and solution. Let us make a better world for our industry!



Contact us

Tel: +86-755-8981 8866 Fax: +86-755-8427 6832

Email & Skype: info@chipsmall.com Web: www.chipsmall.com

Address: A1208, Overseas Decoration Building, #122 Zhenhua RD., Futian, Shenzhen, China

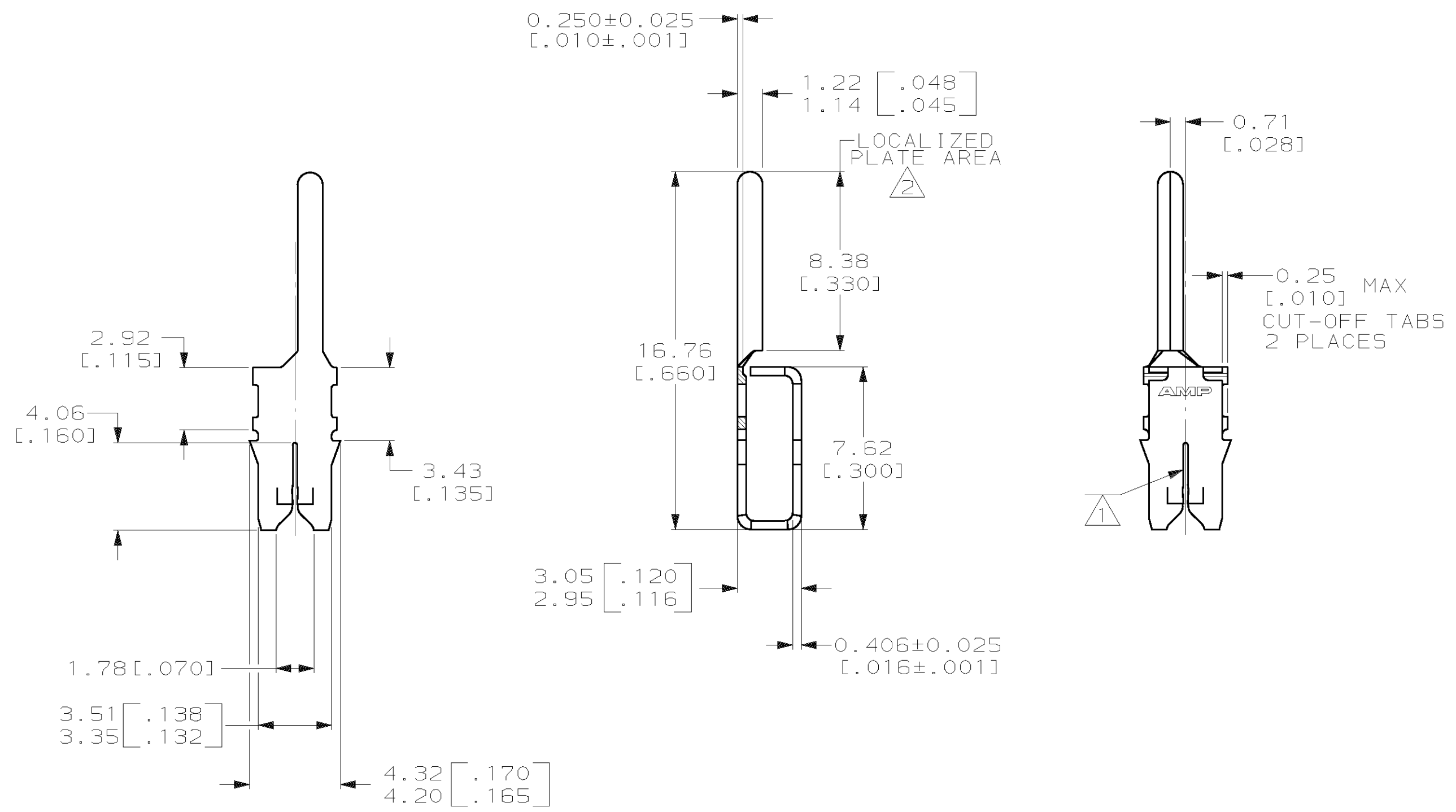


THIS DRAWING IS UNPUBLISHED. RELEASED FOR PUBLICATION, 19 .
 © COPYRIGHT 19 BY AMP INCORPORATED. ALL INTERNATIONAL RIGHTS RESERVED.


LOC		DIST		REVISIONS				DATE	APPD
AF	50	P	F	ZONE	LTR	DESCRIPTION			
				A		REL PER 0L10-0430-97	11/4/97	JR/NN	

- ① SLOT TERMINATES EITHER SINGLE OR DOUBLE MAGNET WIRES OF THE SAME TYPE AND SIZE, COPPER RANGE IS 0.36-0.57mm [#27-#23 AWG]
- ② 0.00508 [.000200] MIN TIN PLATE IN LOCALIZED PLATE AREA, REMAINDER TO BE 0.002032 [.000080] MIN TIN.

IDENTIFICATION NUMBER 10 FOR MAGNET WIRE RANGE

63880-1
PART NO

DO NOT SCALE PRINT. UNLESS SPECIFIED DIMENSIONS IN mm [INCHES] TOLERANCES ON : 2 PLC DEC ± 0.15 [.006] 3 PLC DEC ± - ANGLES ± -		DR 11/OCT/95 MICHAEL S. FEHER		 AMP Incorporated Harrisburg, PA 17105-3608	
MATERIAL 4M PRE-MILLED BRASS		CHK 16/OCT/95 RICHARD GRZYBOWSKI			
FINISH ②		APPD 18/OCT/95 NELSON E. NEFF		NAME PIN, LOOSE PIECE, 1.22 [.048] DIA, LEFT HAND, MAG-MATE™	
		APPD 18/OCT/95 TERRY L. SHUTTER		DRAWING NO C-63880	
		PRODUCT SPEC 108-2012		SIZE C	
		APPLICATION SPEC 114-2046		CAGE CODE 00779	
		WEIGHT -		SCALE 5:1	
				SHEET 1 OF 1	

THIS DRAWING IS A CONTROLLED DOCUMENT FOR AMP INCORPORATED. IT IS SUBJECT TO CHANGE AND THE CONTROLLING ENGINEERING ORGANIZATION SHOULD BE CONTACTED FOR THE LATEST REVISION.