



Chipsmall Limited consists of a professional team with an average of over 10 year of expertise in the distribution of electronic components. Based in Hongkong, we have already established firm and mutual-benefit business relationships with customers from,Europe,America and south Asia,supplying obsolete and hard-to-find components to meet their specific needs.

With the principle of “Quality Parts,Customers Priority,Honest Operation,and Considerate Service”,our business mainly focus on the distribution of electronic components. Line cards we deal with include Microchip,ALPS,ROHM,Xilinx,Pulse,ON,Everlight and Freescale. Main products comprise IC,Modules,Potentiometer,IC Socket,Relay,Connector.Our parts cover such applications as commercial,industrial, and automotives areas.

We are looking forward to setting up business relationship with you and hope to provide you with the best service and solution. Let us make a better world for our industry!



## Contact us

Tel: +86-755-8981 8866 Fax: +86-755-8427 6832

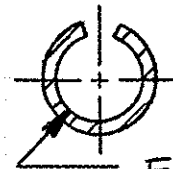
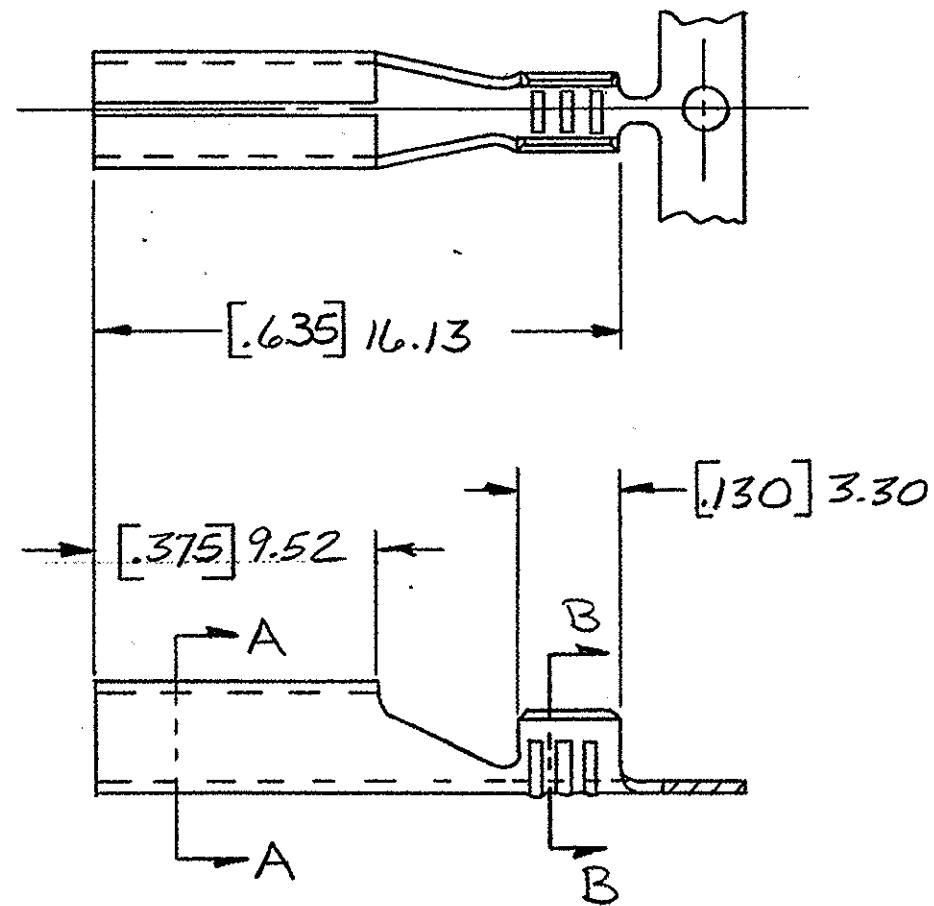
Email & Skype: info@chipsmall.com Web: www.chipsmall.com

Address: A1208, Overseas Decoration Building, #122 Zhenhua RD., Futian, Shenzhen, China



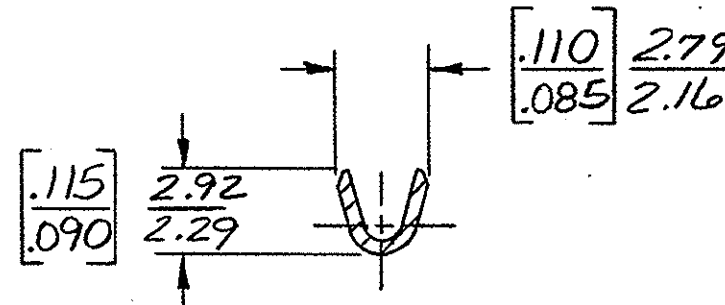
THIS DRAWING IS UNPUBLISHED, RELEASED FOR PUBLICATION, 19  
 © COPYRIGHT 19 BY AMP INCORPORATED, HARRISBURG, PA. ALL INTERNATIONAL RIGHTS RESERVED. AMP PRODUCTS MAY BE COVERED BY U.S. AND FOREIGN PATENTS AND/OR PATENTS PENDING.

REVISIONS					
P/F	ZONE	LTR	DESCRIPTION	DATE	APPROVED
✓		A	RELEASED P.A.R	2-20-85	RLT/67
✓		B	REVISED AF-1152	6/12/85	JSE/47
		C	REVISED PER 063A-0109-02	05 MAR 02	MSF/



FITS .125 DIA PIN

SECT. A-A



SECT. B-B

- 1 - DIMENSIONS IN BRACKETS ARE IN INCHES
- 2 - CONTINUOUS STRIP ON REELS
- 3 - PRELIMINARY - NOT FOR PRODUCTION.

**METRIC**

TIN	[22-18] 0.3-0.8 mm <sup>2</sup>	△ 63381-2
NONE	[22-18] 0.3-0.8 mm <sup>2</sup>	63381-1
FINISH	WIRE SIZE	PART NO
UNLESS OTHERWISE SPECIFIED DIMENSIONS ARE IN INCHES. TOLERANCES ON: DECIMALS [±.010] 0.25 ANGLES ±	CONTRACT NO	AMP INCORPORATED Harrisburg, Pa.
MATERIAL [0.014] 0.36 BRASS	DR. <i>J.R. Rutt</i> 12/18/84 CHK. <i>G. Yetter</i> 12/18/84	
FINISH SEE TABLE	APPD. <i>J. Bonk</i> 12/19/84 APPD. <i>J. H. Gentry</i> 12/20/84	NAME .125 DIA. PIN RECEPTACLE
	DSGN APPD.	SIZE <b>B</b> FSCM NO 00779 DRAWING NO 63381
	OTHER APPD.	SCALE SHEET