



Chipsmall Limited consists of a professional team with an average of over 10 year of expertise in the distribution of electronic components. Based in Hongkong, we have already established firm and mutual-benefit business relationships with customers from,Europe,America and south Asia,supplying obsolete and hard-to-find components to meet their specific needs.

With the principle of “Quality Parts,Customers Priority,Honest Operation,and Considerate Service”,our business mainly focus on the distribution of electronic components. Line cards we deal with include Microchip,ALPS,ROHM,Xilinx,Pulse,ON,Everlight and Freescale. Main products comprise IC,Modules,Potentiometer,IC Socket,Relay,Connector.Our parts cover such applications as commercial,industrial, and automotives areas.

We are looking forward to setting up business relationship with you and hope to provide you with the best service and solution. Let us make a better world for our industry!



Contact us

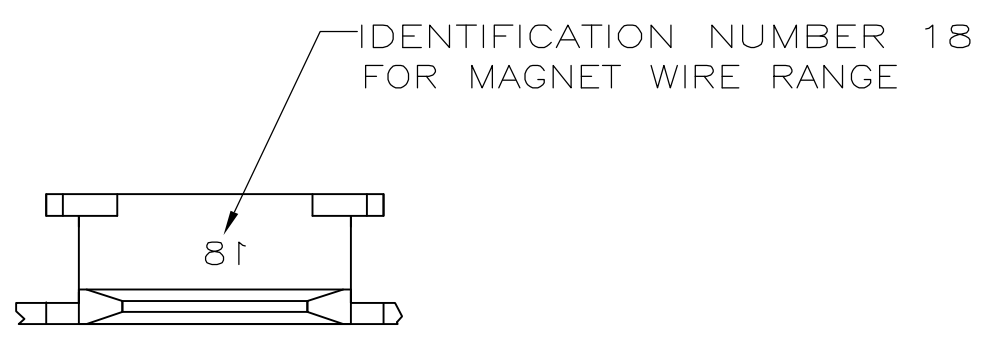
Tel: +86-755-8981 8866 Fax: +86-755-8427 6832

Email & Skype: info@chipsmall.com Web: www.chipsmall.com

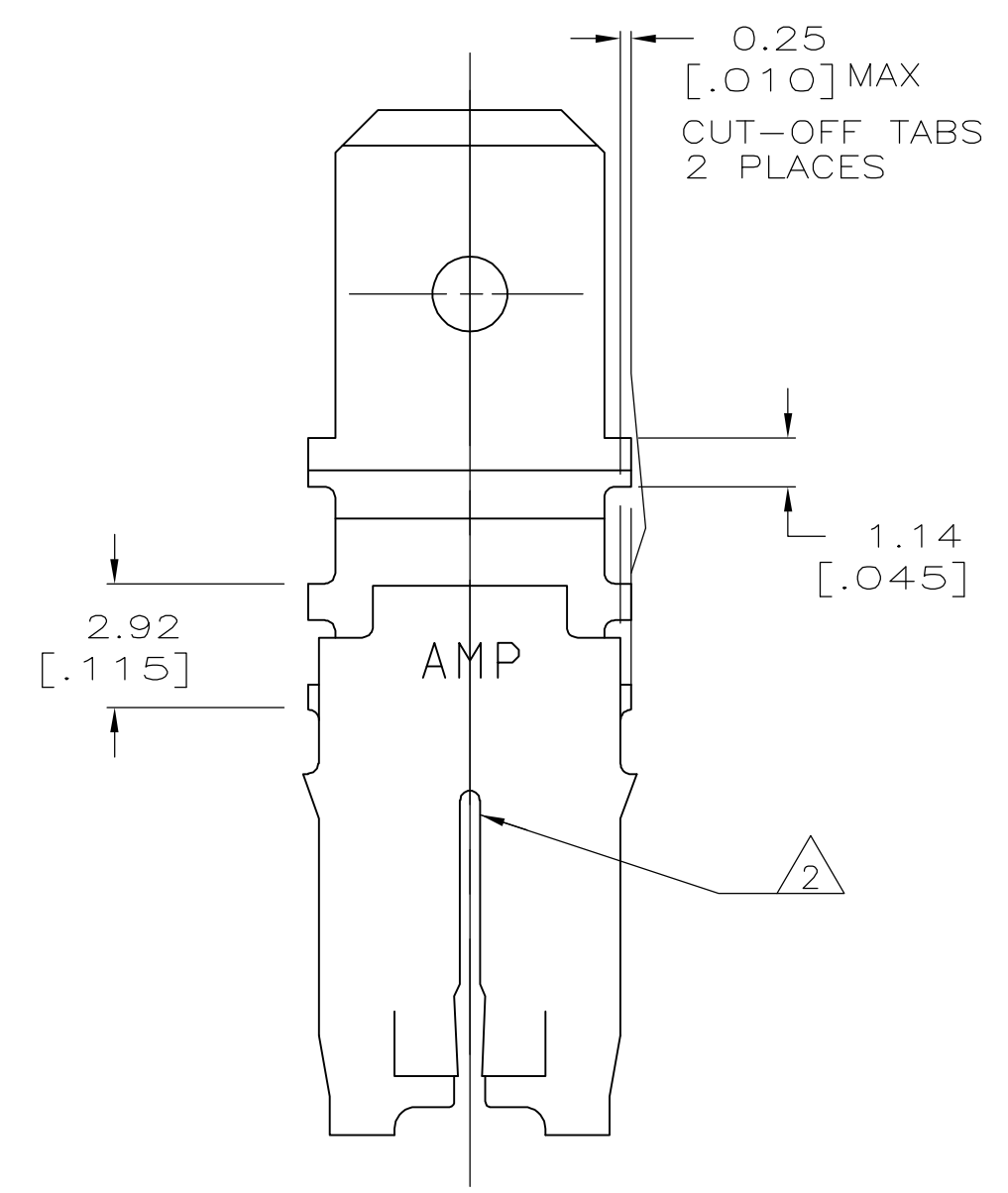
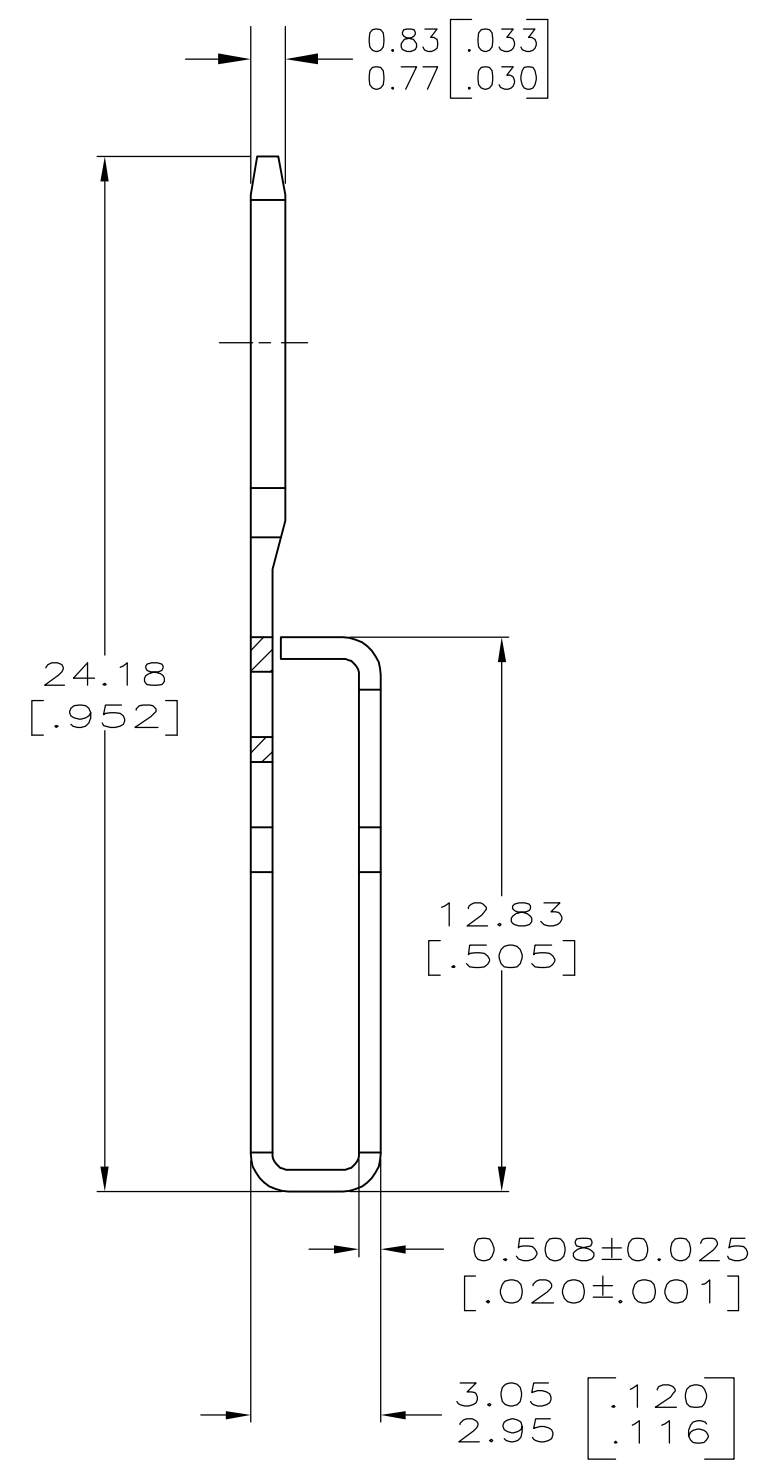
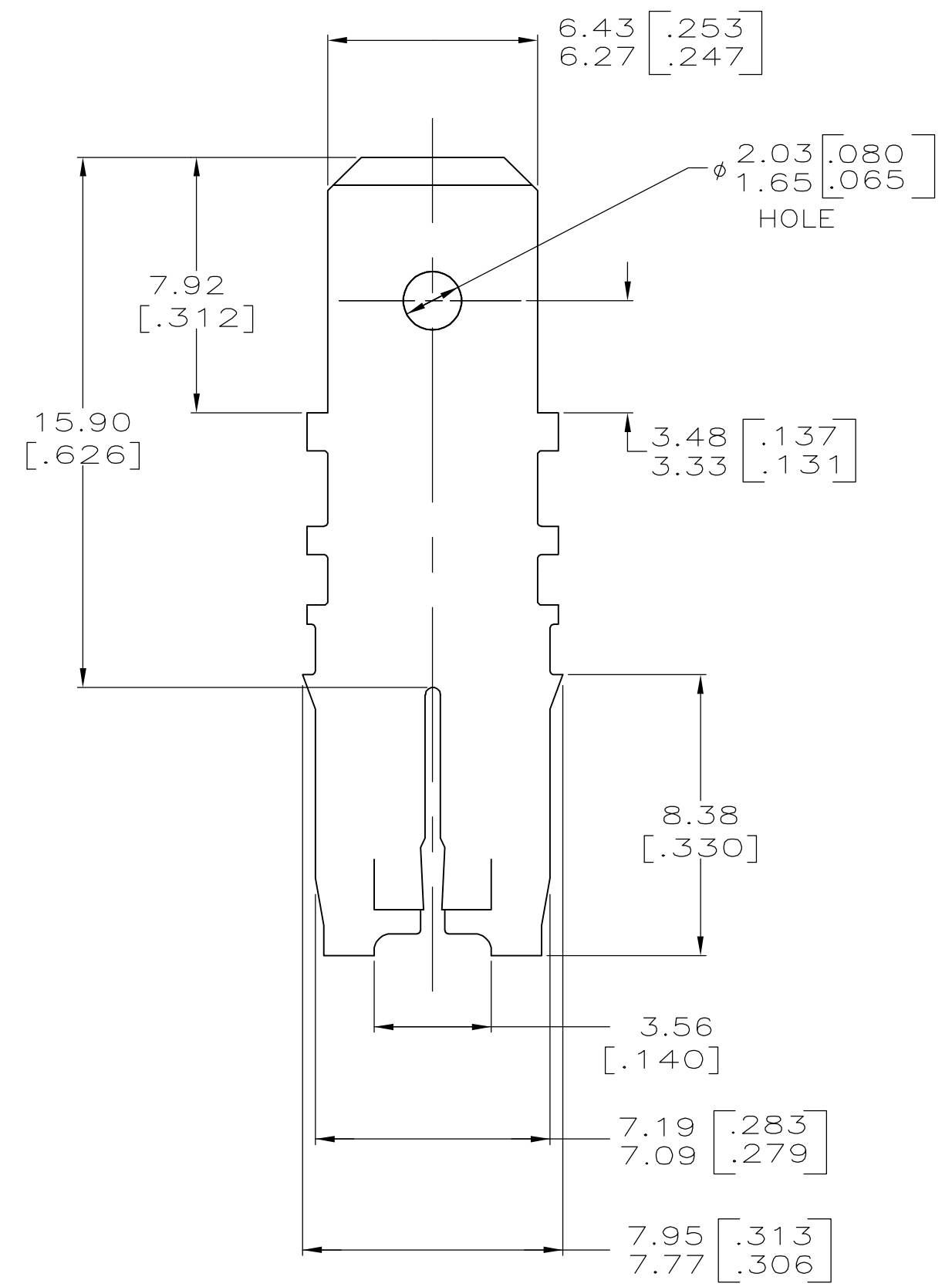
Address: A1208, Overseas Decoration Building, #122 Zhenhua RD., Futian, Shenzhen, China



LOC	DIST	REVISIONS					
AF	50	P	LTR	DESCRIPTION	DATE	DWN	APVD
		C		REVISED PER ECR-06-010515	29AUG06	HMR	KR



- 1 VARNISH RESIST OVER 0.002032
[.000080] MIN TIN PER MIL-T-10727.
- 2 SLOT ACCEPTS 0.64-0.81mm [#22-#20] AWG
COPPER MAGNET WIRE. 2 WIRES OF THE SAME
SIZE MAX PER SLOT.
- 3 AFTER INSERTION INTO PLASTIC HOLDER MAG-MATE
MUST BE POTTED-IN TO PREVENT PULL-OUT WHEN
MATING RECEPTACLE IS DISCONNECTED.



63882-1
PART NO

THIS DRAWING IS A CONTROLLED DOCUMENT.		DWN R.GRZYBOWSKI 24/OCT/95	tyco Electronics		Tyco Electronics Corporation Harrisburg, PA 17105-3608	
DIMENSIONS: mm [INCHES]		CHK MS FEHER 24/OCT/95	NAME N NEFF			
TOLERANCES UNLESS OTHERWISE SPECIFIED:		APVD 24/OCT/95	PRODUCT SPEC 108-2053			
0 PLC ± -		APPLICATION SPEC 114-2066				
1 PLC ± -		SIZE A2				
2 PLC ± 0.25 [.010]		CAGE CODE 00779				
3 PLC ± -		DRAWING NO G-63882				
4 PLC ± -		RESTRICTED TO -				
ANGLES ± ± -		WEIGHT -				
FINISH 1		CUSTOMER DRAWING				
MATERIAL 4M PREMILLED BRASS		SCALE 6:1				
		SHEET 1 of 1				
		REV C				