



Chipsmall Limited consists of a professional team with an average of over 10 year of expertise in the distribution of electronic components. Based in Hongkong, we have already established firm and mutual-benefit business relationships with customers from,Europe,America and south Asia,supplying obsolete and hard-to-find components to meet their specific needs.

With the principle of "Quality Parts,Customers Priority,Honest Operation,and Considerate Service",our business mainly focus on the distribution of electronic components. Line cards we deal with include Microchip,ALPS,ROHM,Xilinx,Pulse,ON,Everlight and Freescale. Main products comprise IC,Modules,Potentiometer,IC Socket,Relay,Connector.Our parts cover such applications as commercial,industrial, and automotives areas.

We are looking forward to setting up business relationship with you and hope to provide you with the best service and solution. Let us make a better world for our industry!



Contact us

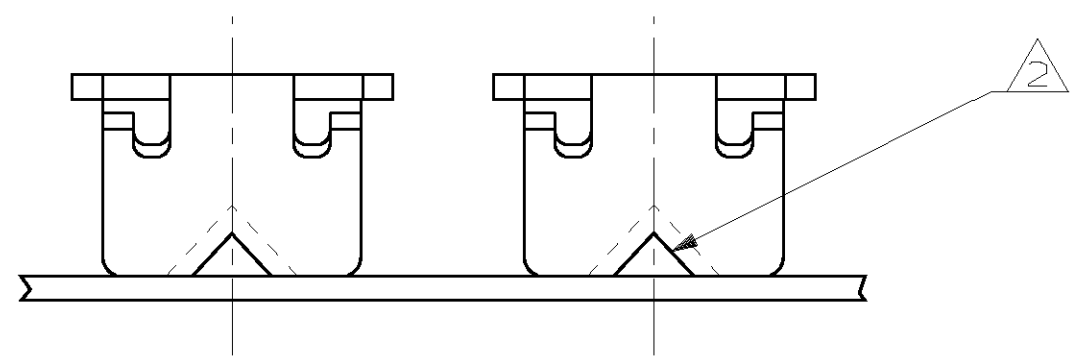
Tel: +86-755-8981 8866 Fax: +86-755-8427 6832

Email & Skype: info@chipsmall.com Web: www.chipsmall.com

Address: A1208, Overseas Decoration Building, #122 Zhenhua RD., Futian, Shenzhen, China

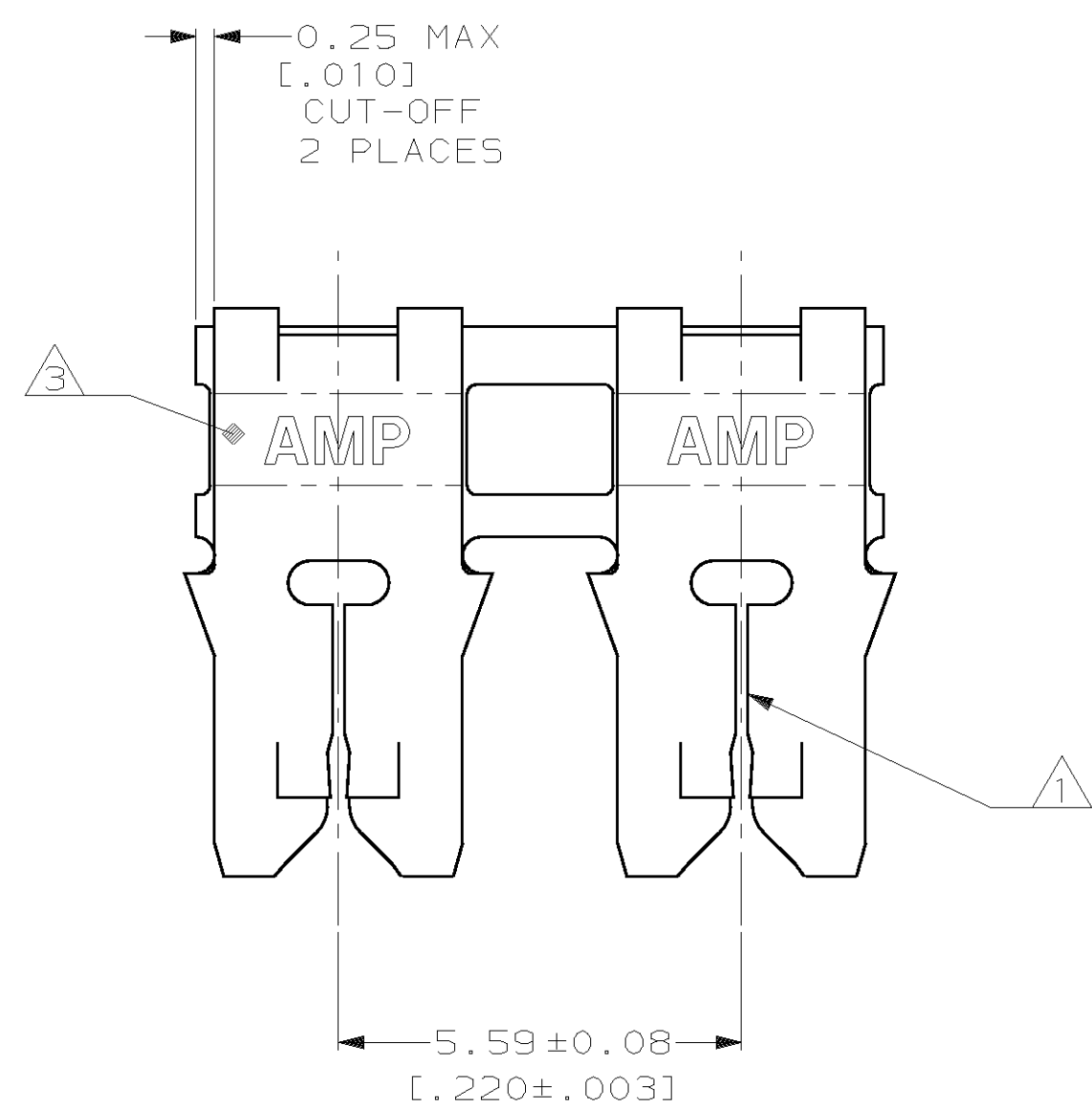
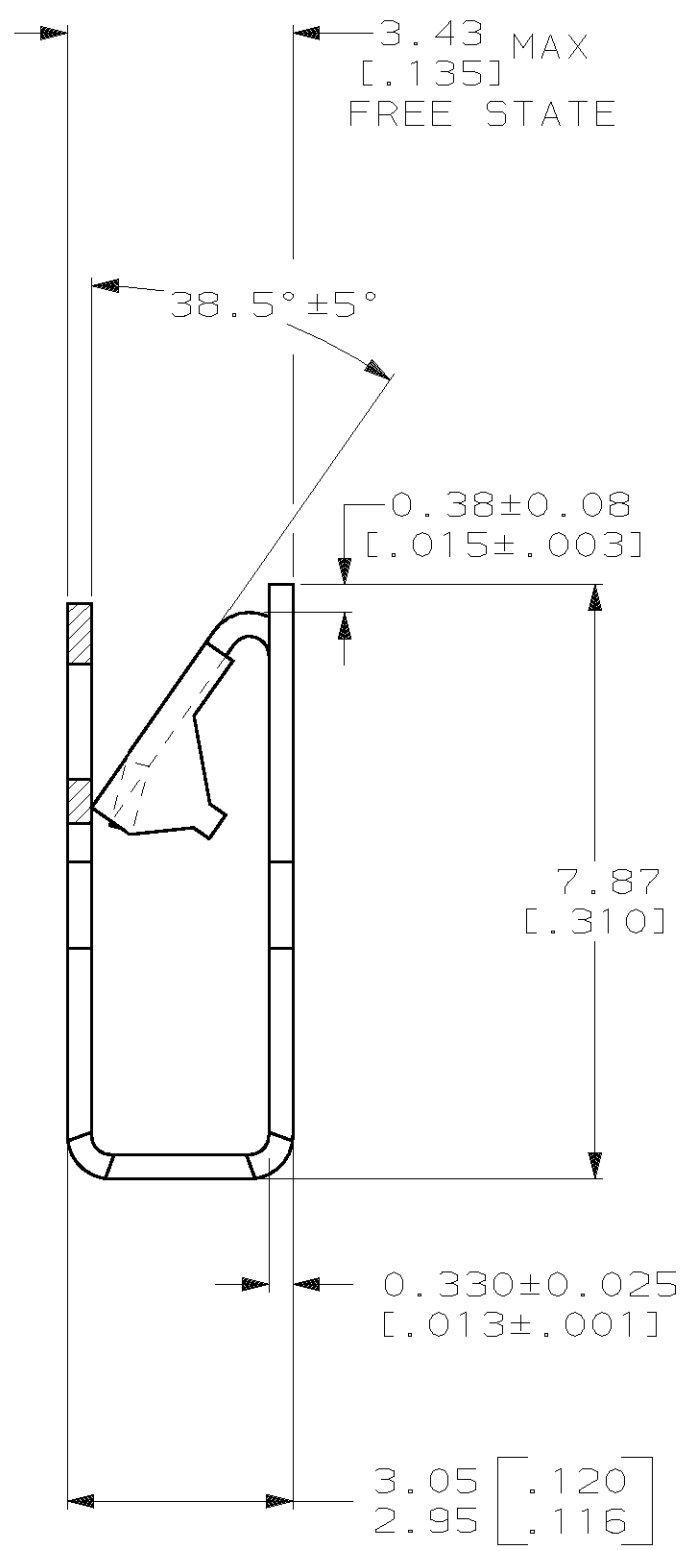
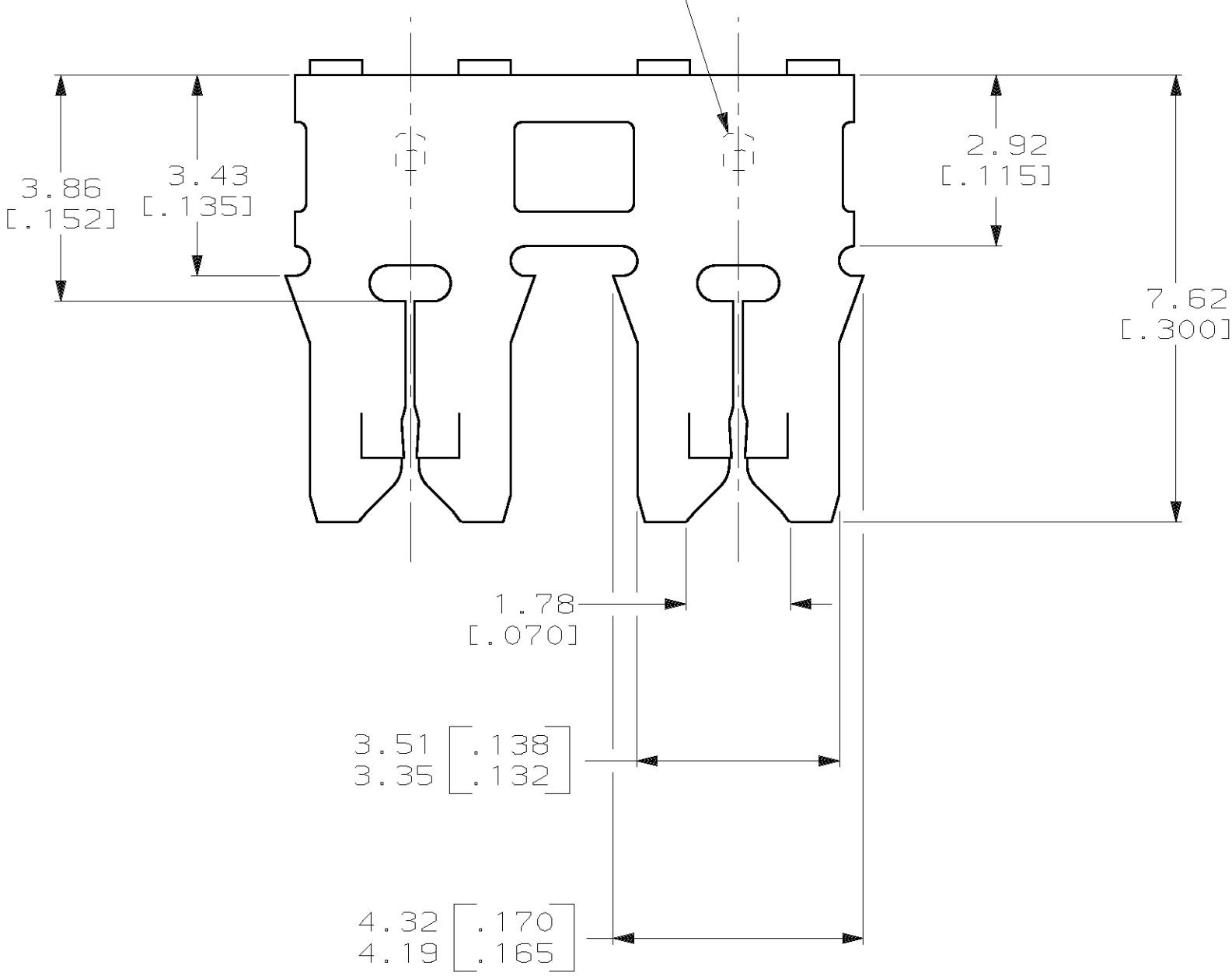


LOC	DIST	P	F	ZONE	LTR	DESCRIPTION	DATE	APPD
AF	50				B	REVISED PER 063A-0451-00	24JUL00	MF-KR



- ① SLOT TERMINATES EITHER A SINGLE OR DOUBLE MAGNET WIRE OF THE SAME SIZE AND TYPE. COPPER RANGE: 0.25-0.36mm [#30-#27] AWG.
- ② POKE-IN ACCEPTS A 0.5-0.9mm² [#20-#18] AWG SOLID OR FUSED STRANDED LEAD WIRE.
- ③ BLUE COLORING ON THIS SURFACE TO PROVIDE CODING OF MAGNET WIRE RANGE

IDENTIFICATION NUMBER 6 FOR MAGNET WIRE RANGE



63885-1

PART NO

DO NOT SCALE PRINT. UNLESS SPECIFIED DIMENSIONS IN mm [INCHES] TOLERANCES ON: 2 PLC DEC ± 0.25 [.010] 3 PLC DEC ± - ANGLES ± -	DR 22/NOV/95 R. GRZYBOWSKI	AMP Incorporated Harrisburg, PA 17105-3608		
	CHK 22/NOV/95 M.S.FEHER			NAME
MATERIAL 4M BRASS	APPD 22/NOV/95 G. PORTA	TERMINAL, POKE-IN, DUAL LOOSE PIECE, 300 SERIES MAG-MATE™		
FINISH 0.002032 [.000080] MIN TIN PLATE	APPD 22/NOV/95 TERRY L. SHUTTER			
	PRODUCT SPEC 108-2012	SIZE	CAGE CODE	DRAWING NO
	APPLICATION SPEC 114-2046	③	00779	③=63885
	WEIGHT -	SCALE 10:1		SHEET 1 OF 1

THIS DRAWING IS A CONTROLLED DOCUMENT FOR AMP INCORPORATED. IT IS SUBJECT TO CHANGE AND THE CONTROLLING ENGINEERING ORGANIZATION SHOULD BE CONTACTED FOR THE LATEST REVISION.