



Chipsmall Limited consists of a professional team with an average of over 10 year of expertise in the distribution of electronic components. Based in Hongkong, we have already established firm and mutual-benefit business relationships with customers from,Europe,America and south Asia,supplying obsolete and hard-to-find components to meet their specific needs.

With the principle of "Quality Parts,Customers Priority,Honest Operation,and Considerate Service",our business mainly focus on the distribution of electronic components. Line cards we deal with include Microchip,ALPS,ROHM,Xilinx,Pulse,ON,Everlight and Freescale. Main products comprise IC,Modules,Potentiometer,IC Socket,Relay,Connector.Our parts cover such applications as commercial,industrial, and automotives areas.

We are looking forward to setting up business relationship with you and hope to provide you with the best service and solution. Let us make a better world for our industry!



Contact us

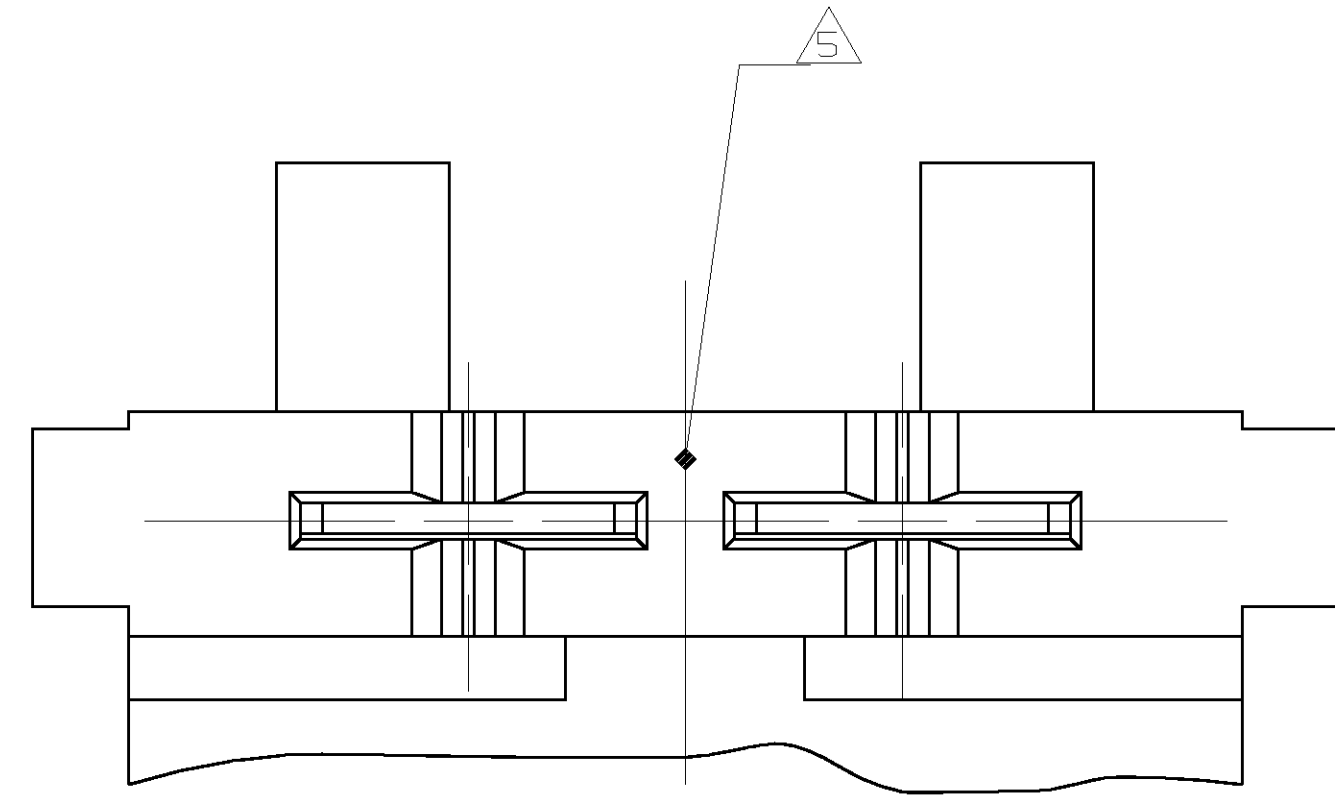
Tel: +86-755-8981 8866 Fax: +86-755-8427 6832

Email & Skype: info@chipsmall.com Web: www.chipsmall.com

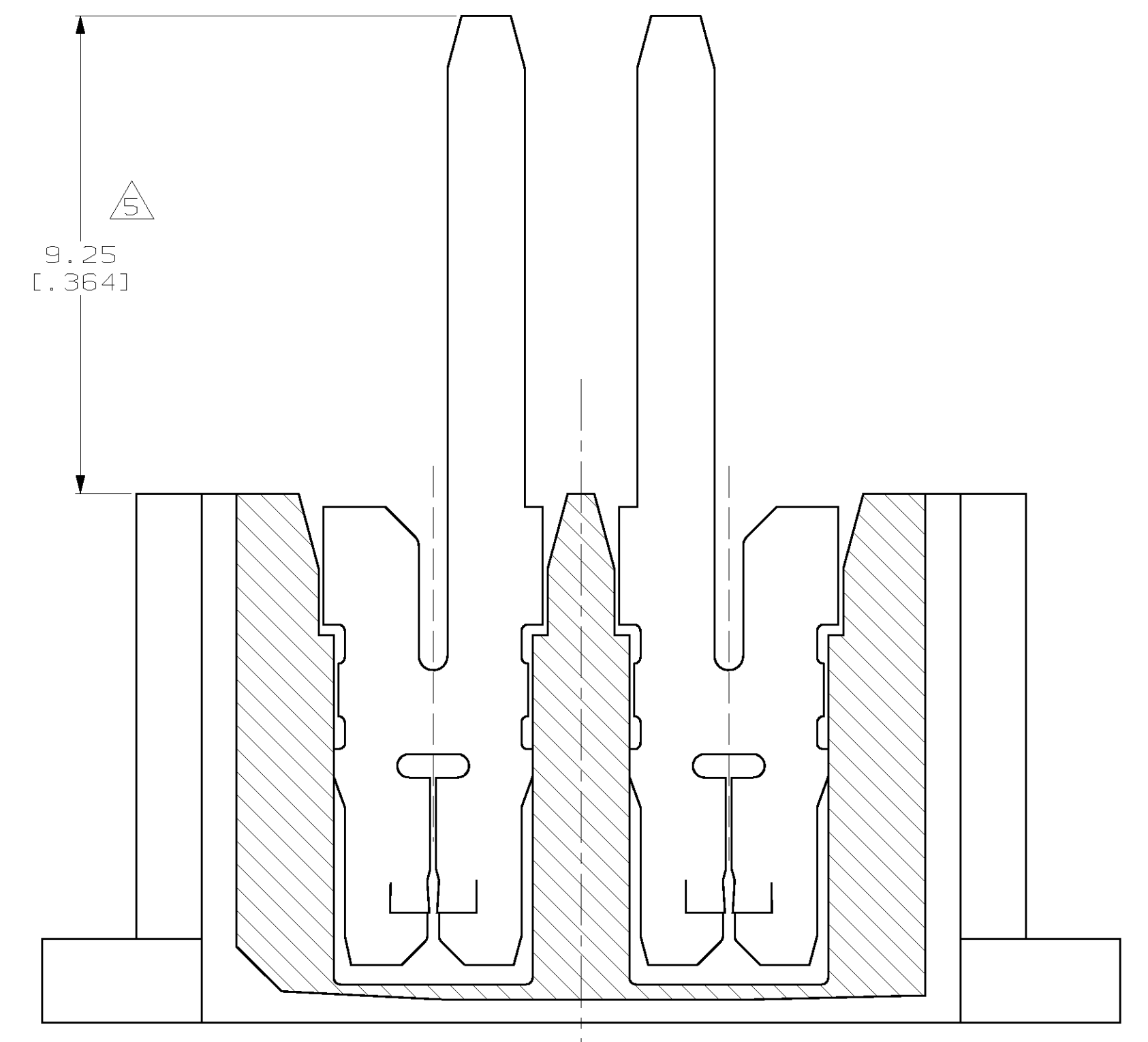
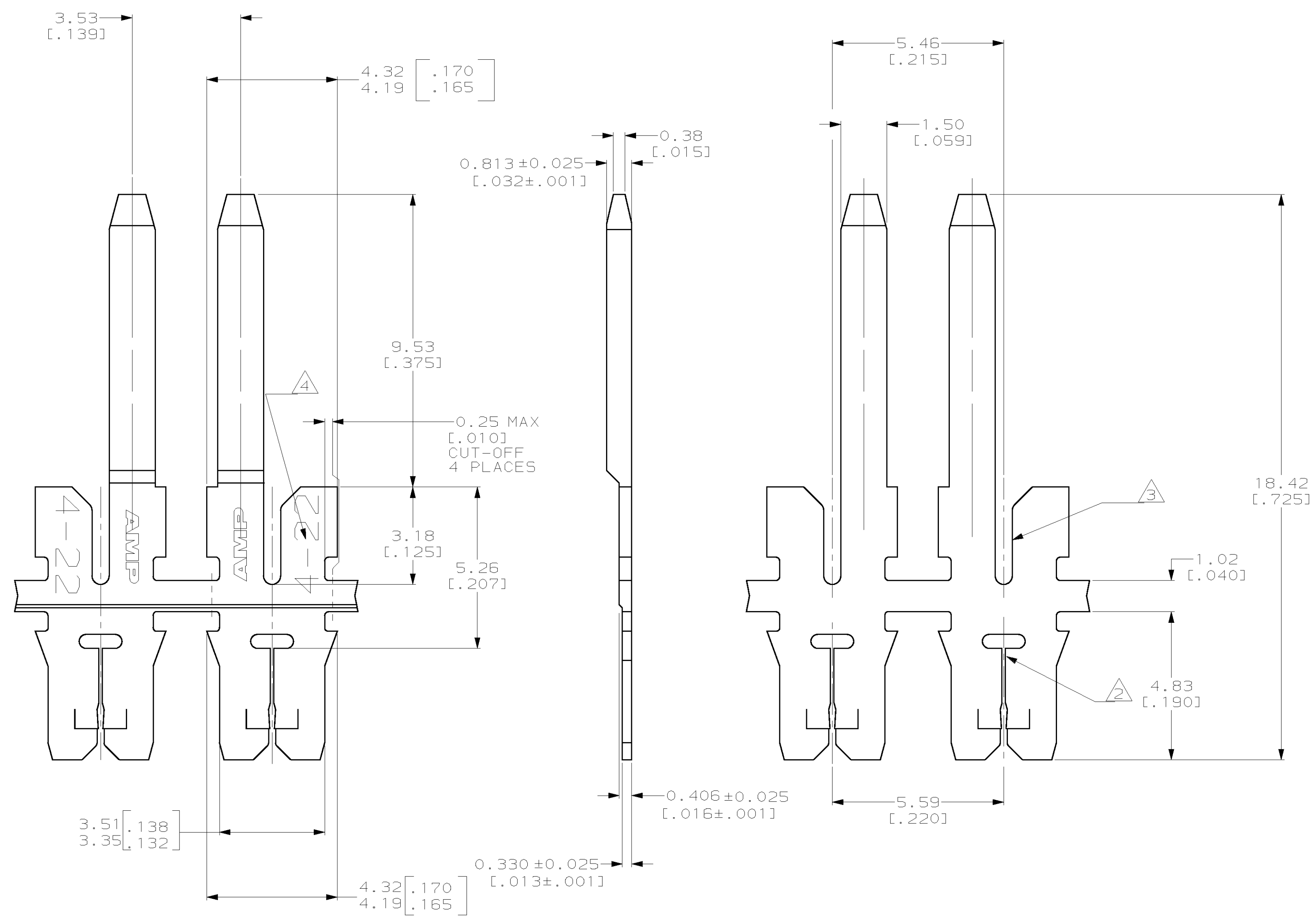
Address: A1208, Overseas Decoration Building, #122 Zhenhua RD., Futian, Shenzhen, China



LOC		DIST		REVISIONS			
AF	50	TR	LYR	DESCRIPTION	DATE	OWN	APVD
		E		REV PER 063A-0193-02	15MAY02	JR	KAR



- 1 CONTINUOUS STRIP ON REELS WITH TERMINALS LOCATED ON 11.18±0.08 [.440±.003] CENTERS
- 2 SLOTS ACCEPTS 0.18 - 0.23mm [#33-#31] AWG COPPER MAGNET WIRE. TWO WIRES OF THE SAME SIZE MAX PER SLOT.
- 3 SLOT ACCEPTS A SINGLE 0.6mm [#22.5]AWG SOLID BARE COPPER WIRE
- 4 IDENTIFICATION NUMBER 4-22. 4 FOR THE MAGNET WIRE SLOT SIZE AND 22 FOR THE LEADWIRE SLOT SIZE
- 5 POINT OF MEASUREMENT, LOCATED APPROXIMATELY AS SHOWN



INSERTION SPECIFICATION

63903-1
PART NUMBER

THIS DRAWING IS A CONTROLLED DOCUMENT.		DWN R. GRZYBOWSKI 6JAN97	AMP Incorporated Harrisburg, PA 17105-3608	
DIMENSIONS mm (INCHES)		CHK M. S. FEHER 6JAN97	APVD K. RANDOLPH 6JAN97	
TOLERANCES UNLESS OTHERWISE SPECIFIED:		NAME TERMINAL, POSTED, DUAL IDC, MAG-MATE™ Slim Line		
0 PLC ±-	1 PLC ±-	PRODUCT SPEC 108-14B4		
2 PLC ±0.13 (.005)	3 PLC ±-	APPLICATION SPEC		
4 PLC ±-	ANGLES ±-	SIZE A1		
MATERIAL 4M PRE-MILLED BRASS	FINISH 0.002032 (.000080) MIN TIN PER MIL-T-10727	WEIGHT -	SCALE 10:1	RESTRICTED TO SHEET 1 OF 1 REV E
CUSTOMER DRAWING		DRAWING NO 00779-63903		