



Chipsmall Limited consists of a professional team with an average of over 10 year of expertise in the distribution of electronic components. Based in Hongkong, we have already established firm and mutual-benefit business relationships with customers from,Europe,America and south Asia,supplying obsolete and hard-to-find components to meet their specific needs.

With the principle of “Quality Parts,Customers Priority,Honest Operation,and Considerate Service”,our business mainly focus on the distribution of electronic components. Line cards we deal with include Microchip,ALPS,ROHM,Xilinx,Pulse,ON,Everlight and Freescale. Main products comprise IC,Modules,Potentiometer,IC Socket,Relay,Connector.Our parts cover such applications as commercial,industrial, and automotives areas.

We are looking forward to setting up business relationship with you and hope to provide you with the best service and solution. Let us make a better world for our industry!



## Contact us

Tel: +86-755-8981 8866 Fax: +86-755-8427 6832

Email & Skype: info@chipsmall.com Web: www.chipsmall.com

Address: A1208, Overseas Decoration Building, #122 Zhenhua RD., Futian, Shenzhen, China

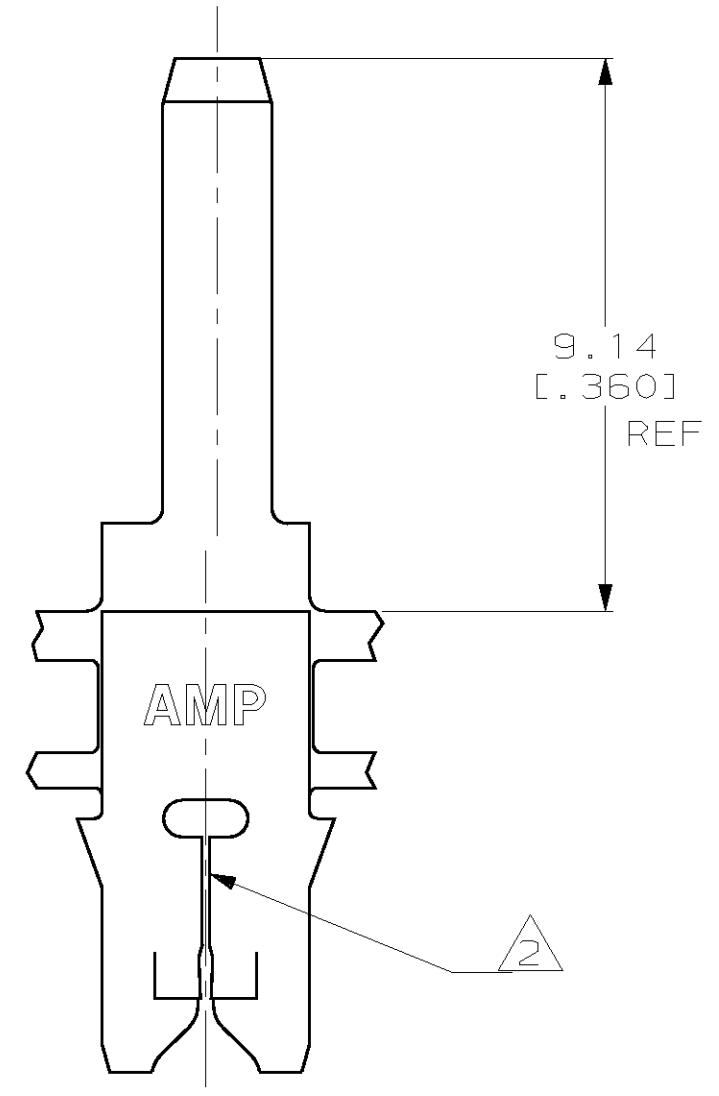
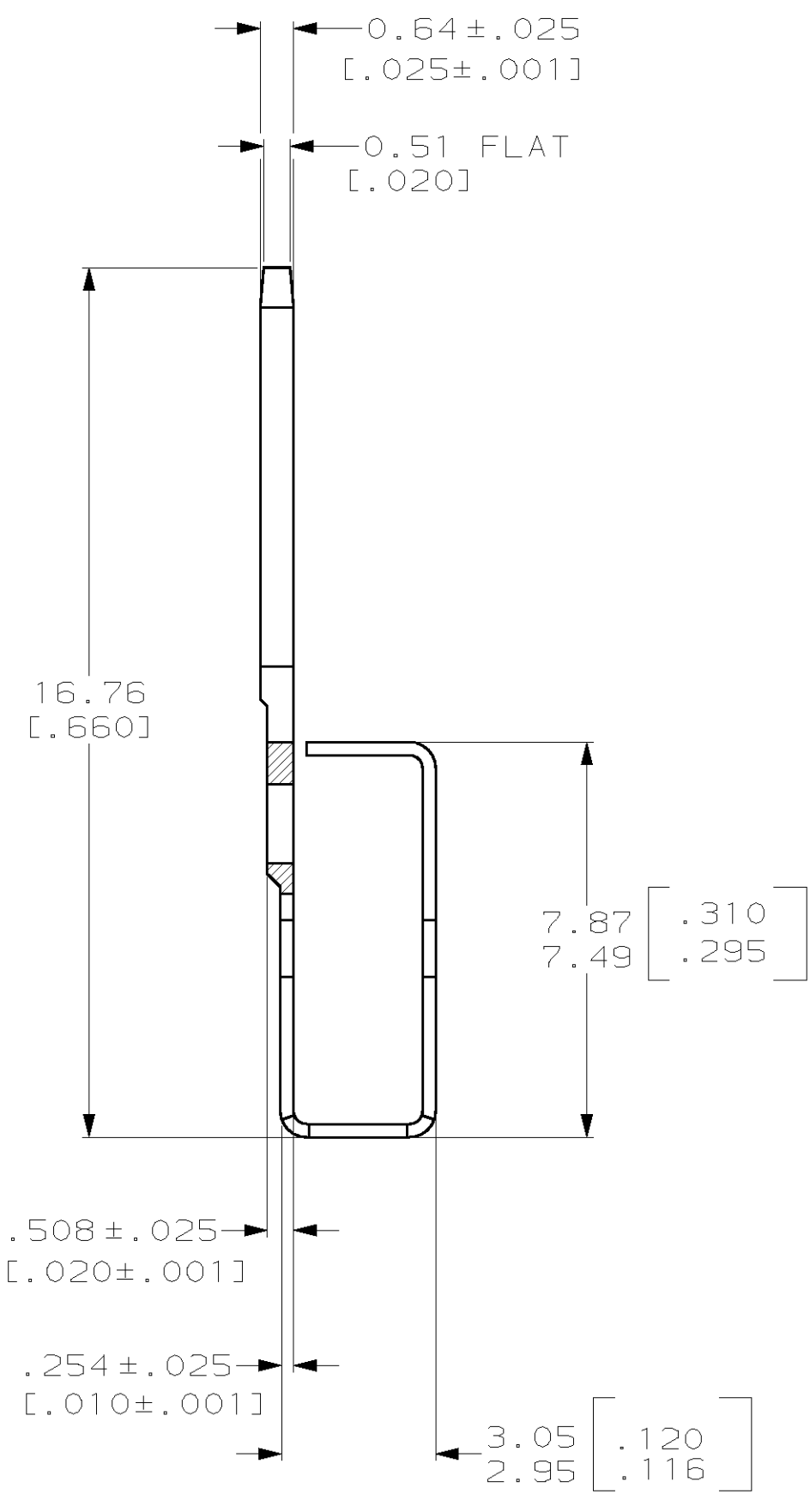
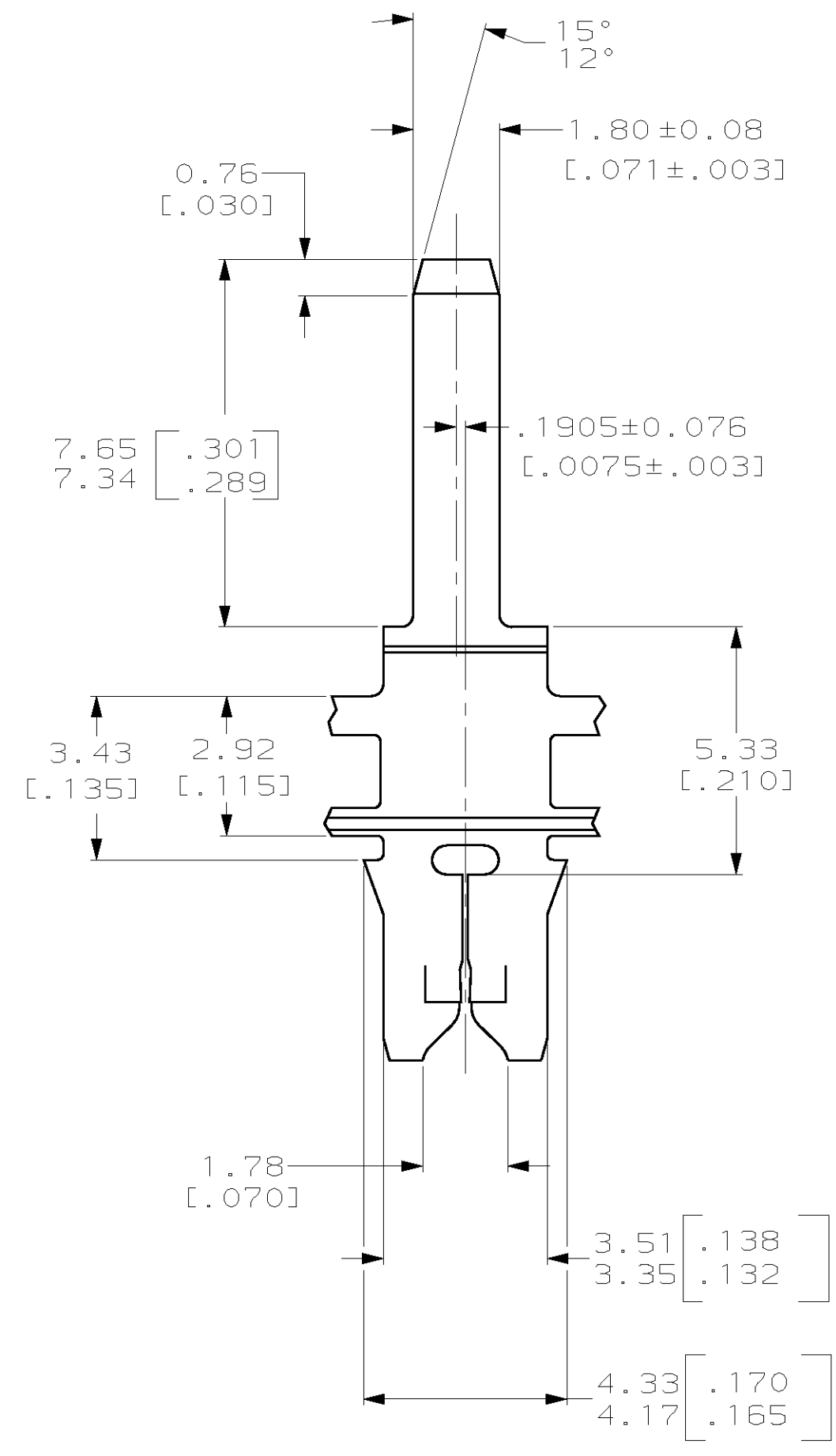


THIS DRAWING IS UNPUBLISHED. RELEASED FOR PUBLICATION  
 (C) COPYRIGHT 19 BY AMP INCORPORATED. ALL RIGHTS RESERVED.

LOC		DIST		REVISIONS			
P	LTR	DESCRIPTION		DATE	DWN	APVD	
AF	50	B		ADDED -2 PER 063A-0559-01	220CT01	MF	KR



- 1 CONTINUOUS STRIP ON REELS WITH TERMINALS LOCATED ON 5.59±0.08 [.220±.003] CENTERS
- 2 SLOT TERMINATES EITHER A SINGLE OR DOUBLE MAGNET WIRE OF THE SAME TYPE AND SIZE, COPPER RANGE: 0.18-0.23mm [#33-#31]
- 3 SPECIAL PACKAGE MARKINGS- GREEN COLOR CODE TAG NEXT TO REEL TAG
- 4 PRELIMINARY - NOT FOR PRODUCTION.



REVERSE	3	63910-2	4
STANDARD	3	63910-1	
REELING		PART NUMBER	

THIS DRAWING IS A CONTROLLED DOCUMENT.		DWN	R.GRZYBOWSKI	8MAY96
DIMENSIONS: mm		CHK	M.S.FEHER	8MAY96
		APVD	N.E.NEFF	8MAY96
TOLERANCES UNLESS OTHERWISE SPECIFIED: 0 PLC ±- 1 PLC ±- 2 PLC ±0.13(.005) 3 PLC ±- 4 PLC ±- ANGLES ±-		PRODUCT SPEC	108-2012	
MATERIAL		APPLICATION SPEC	114-2046	
4M PRE-MILLED BRASS		FINISH	0.002032(.000080) MIN	
		TIN PER MIL-T-10727		
		WEIGHT	-	
		CUSTOMER DRAWING		
		NAME	AMP Incorporated Harrisburg, PA 17105-3608	
		SIZE	CAGE CODE	DRAWING NO
		A2	00779	C-63910
		SCALE	SHEET	OF
		8:1	1	1
		REV	B	