



Chipsmall Limited consists of a professional team with an average of over 10 year of expertise in the distribution of electronic components. Based in Hongkong, we have already established firm and mutual-benefit business relationships with customers from,Europe,America and south Asia,supplying obsolete and hard-to-find components to meet their specific needs.

With the principle of "Quality Parts,Customers Priority,Honest Operation,and Considerate Service",our business mainly focus on the distribution of electronic components. Line cards we deal with include Microchip,ALPS,ROHM,Xilinx,Pulse,ON,Everlight and Freescale. Main products comprise IC,Modules,Potentiometer,IC Socket,Relay,Connector.Our parts cover such applications as commercial,industrial, and automotives areas.

We are looking forward to setting up business relationship with you and hope to provide you with the best service and solution. Let us make a better world for our industry!



Contact us

Tel: +86-755-8981 8866 Fax: +86-755-8427 6832

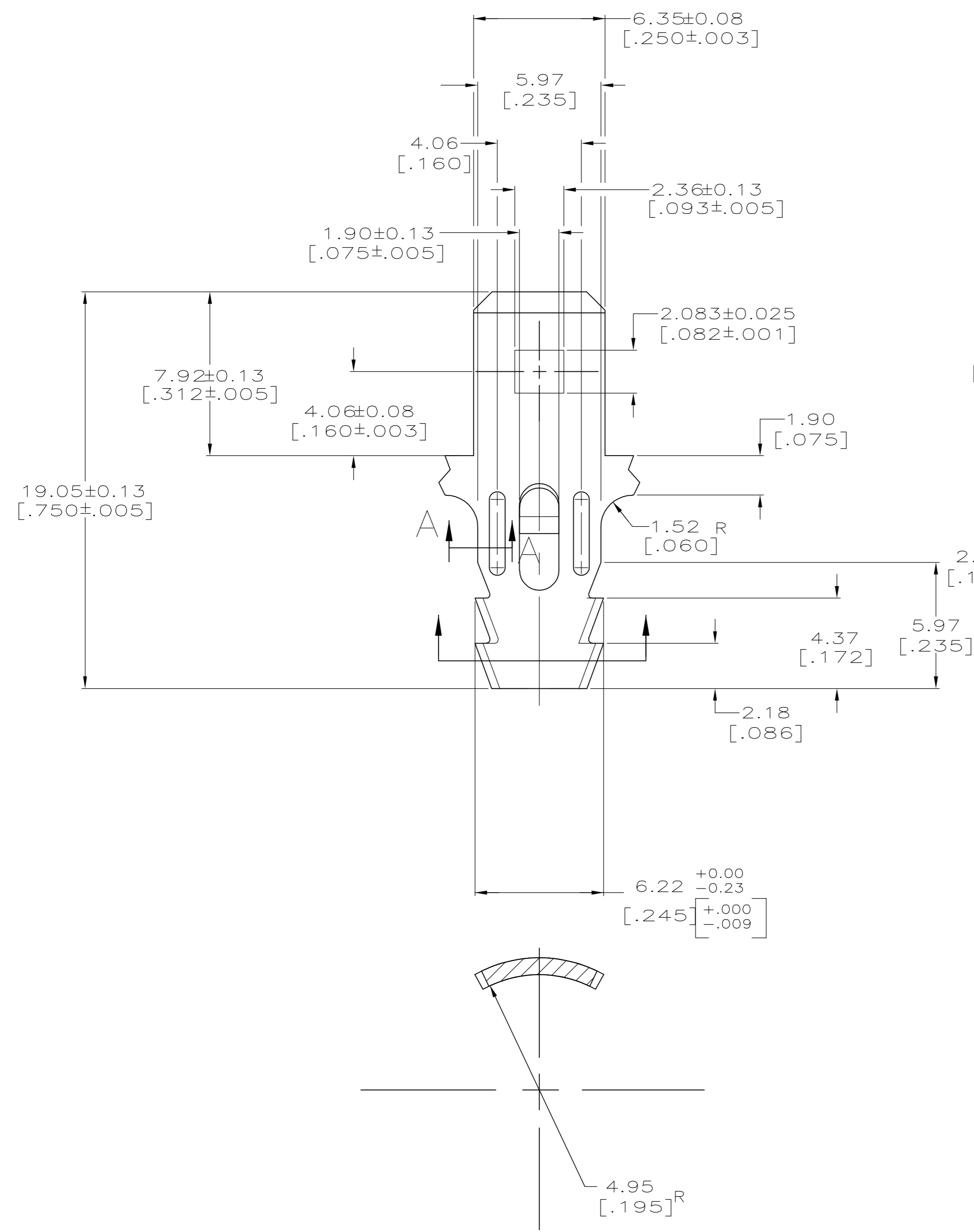
Email & Skype: info@chipsmall.com Web: www.chipsmall.com

Address: A1208, Overseas Decoration Building, #122 Zhenhua RD., Futian, Shenzhen, China

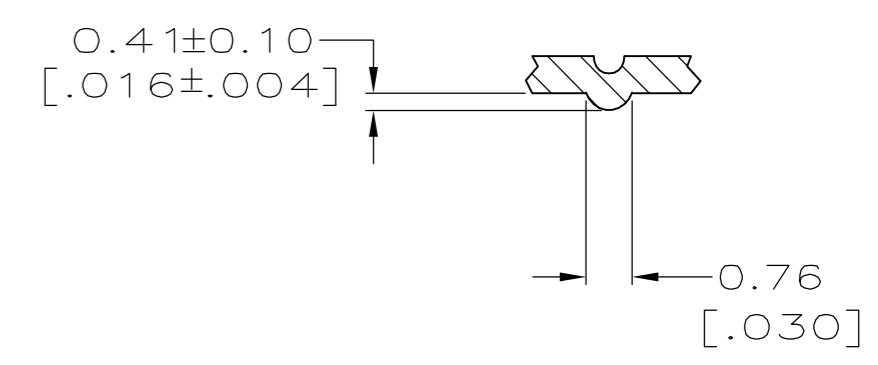
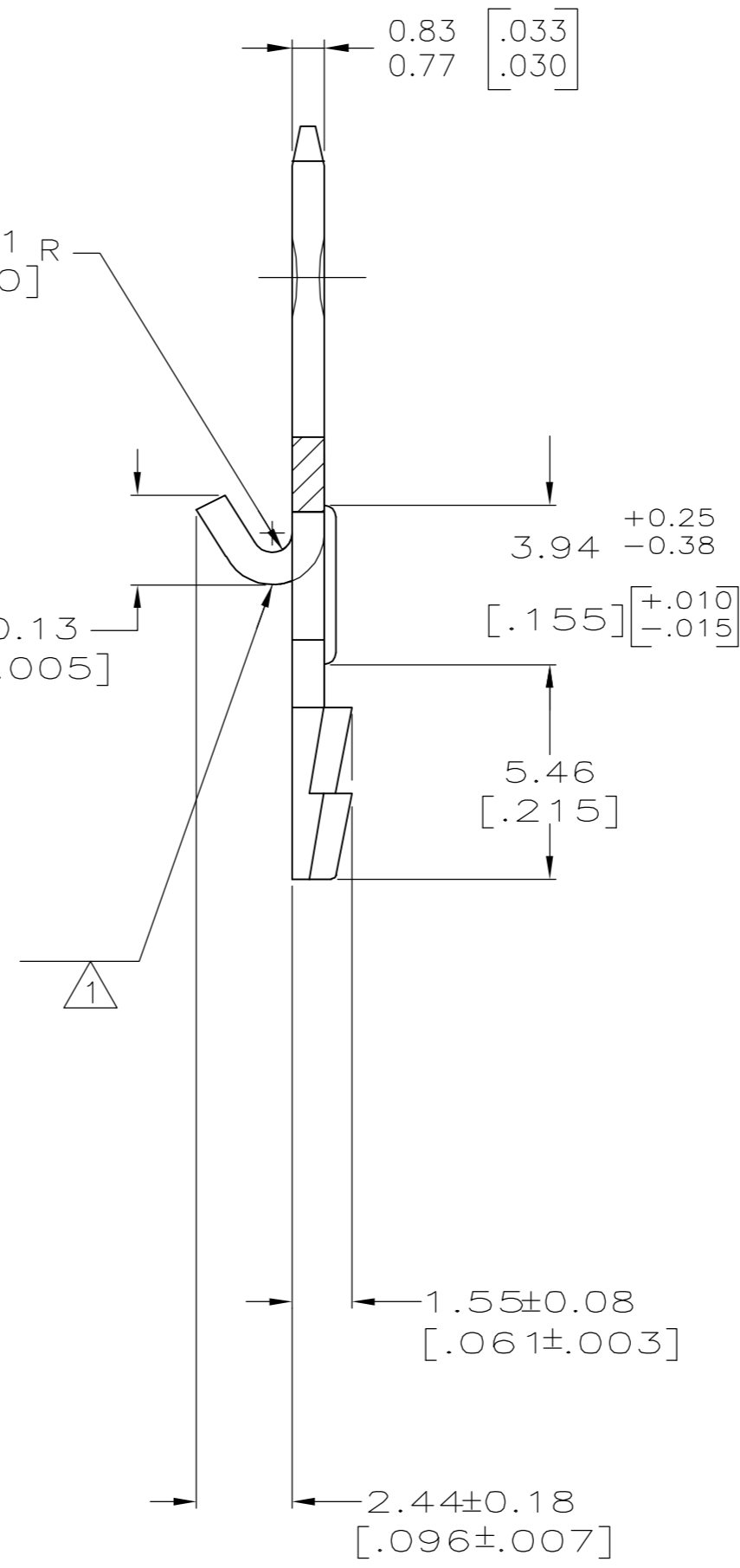


THIS DRAWING IS UNPUBLISHED. RELEASED FOR PUBLICATION
 © COPYRIGHT BY TYCO ELECTRONICS CORPORATION. ALL RIGHTS RESERVED.

LOC	DIST	REVISIONS			
P	LTR	DESCRIPTION	DATE	DWN	APVD
AF	50	D	REV PER ECR 05-017561	24MAR06	JR KR



- 1 TANG MUST NOT BREAK WHEN BENT FLAT.
- 2 CONTINUOUS STRIP ON REEL.
- 3 0.002032 [.000080] MIN TIN



RIGHT HAND	63911-2
LEFT HAND	63911-1
REELING	PART NUMBER

THIS DRAWING IS A CONTROLLED DOCUMENT.		DWN 06/JUN/96 PHILLIP M. FORTNEY	Tyco Electronics Corporation Harrisburg, PA 17105-3608	
DIMENSIONS: mm		CHK 06/JUN/96 JEFF R. RUTH	NAME: TERMINAL, BOBBIN TAB	
TOLERANCES UNLESS OTHERWISE SPECIFIED:		APVD 06/JUN/96 DON DECKER	PRODUCT SPEC: -	
0 PLC ± -		APPLICATION SPEC: -	SIZE: A2	
1 PLC ± -		WEIGHT: -	CAGE CODE: 00779	
2 PLC ± 0.25 [.010]		DRAWING NO: C=63911		
3 PLC ± -		RESTRICTED TO: -		
4 PLC ± -		SCALE: 6:1		
ANGLES ± -		SHEET: 1 of 1		
FINISH: - 3		REV: D		