



Chipsmall Limited consists of a professional team with an average of over 10 year of expertise in the distribution of electronic components. Based in Hongkong, we have already established firm and mutual-benefit business relationships with customers from,Europe,America and south Asia,supplying obsolete and hard-to-find components to meet their specific needs.

With the principle of “Quality Parts,Customers Priority,Honest Operation,and Considerate Service”,our business mainly focus on the distribution of electronic components. Line cards we deal with include Microchip,ALPS,ROHM,Xilinx,Pulse,ON,Everlight and Freescale. Main products comprise IC,Modules,Potentiometer,IC Socket,Relay,Connector.Our parts cover such applications as commercial,industrial, and automotives areas.

We are looking forward to setting up business relationship with you and hope to provide you with the best service and solution. Let us make a better world for our industry!



Contact us

Tel: +86-755-8981 8866 Fax: +86-755-8427 6832

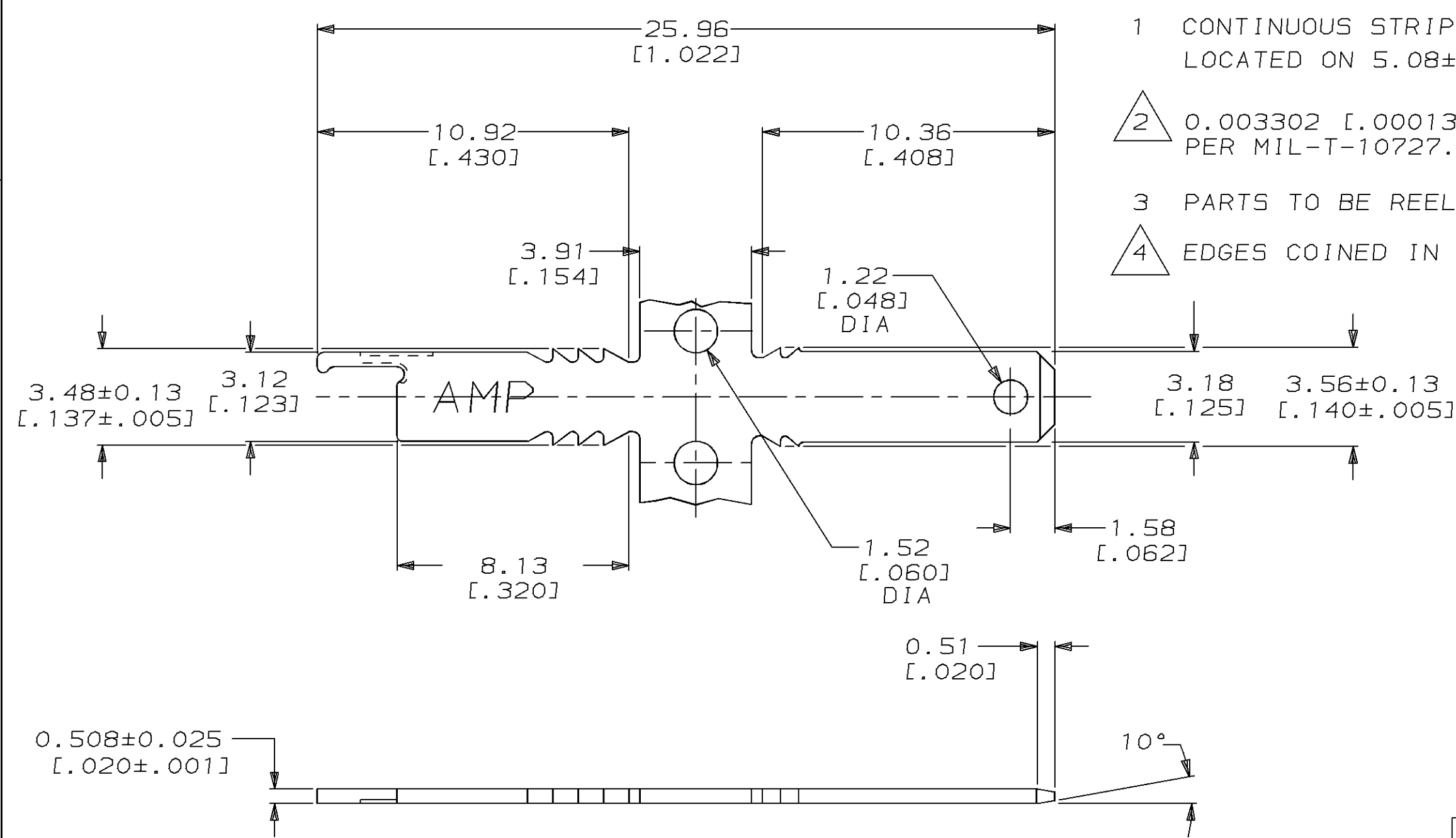
Email & Skype: info@chipsmall.com Web: www.chipsmall.com

Address: A1208, Overseas Decoration Building, #122 Zhenhua RD., Futian, Shenzhen, China

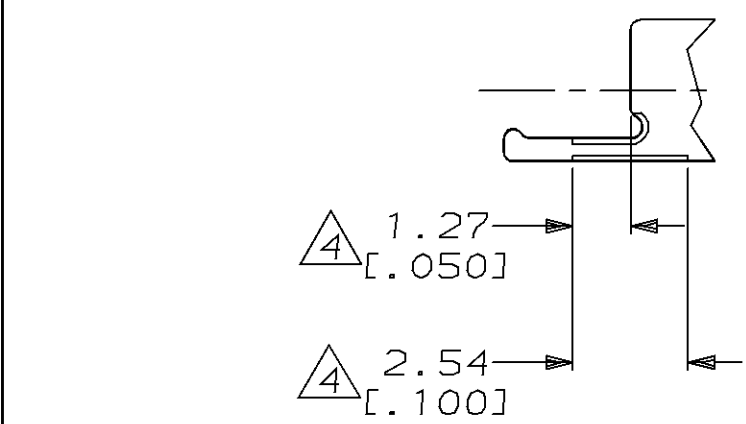


THIS DRAWING IS UNPUBLISHED. RELEASED FOR PUBLICATION, 19 .
 © COPYRIGHT 19 BY AMP INCORPORATED. ALL INTERNATIONAL RIGHTS RESERVED.

LOC	DIST	P	F	REVISIONS				
AF	50			ZONE	LTR	DESCRIPTION	DATE	APPD
					B	RELEASED PER FASR AND 0L10-0061-96	29/AUG/96	PF/GY



- 1 CONTINUOUS STRIP ON REEL WITH TERMINALS LOCATED ON 5.08±0.08 [.200±.003] CENTERS.
- △ 2 0.003302 [.000130] MAX PRE-TIN PLATE PER MIL-T-10727.
- 3 PARTS TO BE REELED WITH PAPER.
- △ 4 EDGES COINED IN THIS AREA TO REMOVE BURRS.



THIS DRAWING IS A CONTROLLED DOCUMENT FOR AMP INCORPORATED. IT IS SUBJECT TO CHANGE AND THE CONTROLLING ENGINEERING ORGANIZATION SHOULD BE CONTACTED FOR THE LATEST REVISION.

DO NOT SCALE PRINT, UNLESS SPECIFIED DIMENSIONS IN mm [INCHES] TOLERANCES ON: 2 PLC DEC ± 0.25 [.010] 3 PLC DEC ± - ANGLES ± -	DR 28/FEB/96 PHILLIP M FORTNEY
	CHK 28/FEB/96 JEFF R RUTH
	APPD 28/FEB/96 GARY YETTER
	APPD 28/FEB/96 MARK BARNABA
MATERIAL 082 BRASS	PRODUCT SPEC -
FINISH SEE TABLE	APPLICATION SPEC -
	WEIGHT -

△ 2		63917-1
FINISH		PART NO
AMP		AMP Incorporated Harrisburg, PA 17105-3608
NAME BOBBIN TAB		
SIZE B	CAGE CODE 00779	DRAWING NO C-63917
SCALE 6:1	SHEET 1 OF 1	