



Chipsmall Limited consists of a professional team with an average of over 10 year of expertise in the distribution of electronic components. Based in Hongkong, we have already established firm and mutual-benefit business relationships with customers from,Europe,America and south Asia,supplying obsolete and hard-to-find components to meet their specific needs.

With the principle of “Quality Parts,Customers Priority,Honest Operation,and Considerate Service”,our business mainly focus on the distribution of electronic components. Line cards we deal with include Microchip,ALPS,ROHM,Xilinx,Pulse,ON,Everlight and Freescale. Main products comprise IC,Modules,Potentiometer,IC Socket,Relay,Connector.Our parts cover such applications as commercial,industrial, and automotives areas.

We are looking forward to setting up business relationship with you and hope to provide you with the best service and solution. Let us make a better world for our industry!



Contact us

Tel: +86-755-8981 8866 Fax: +86-755-8427 6832

Email & Skype: info@chipsmall.com Web: www.chipsmall.com

Address: A1208, Overseas Decoration Building, #122 Zhenhua RD., Futian, Shenzhen, China

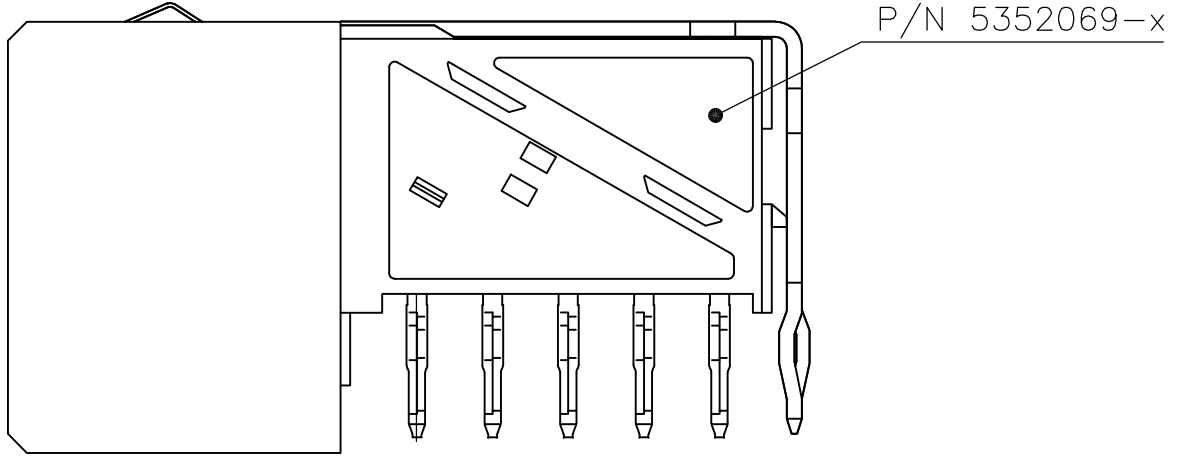


LOC	DIST	REVISIONS					
H	—	P	LTR	DESCRIPTION	DATE	DWN	APVD
		B		ECR-10-018652	10SEP10	SW	MQW



OBSOLETE PARTS: OBSOLETE CIS STREAMLINING PER D.RENAUD/D.SINISI

CONTENTS OF KIT:



BOTH P/N'S WILL BE PACKED
IN ONE BOX

△ 1	6392375-4	KIT WITH TYPE "B" PRE-SHIELDED RECEPTACLE(5352069-4) AND LOWERSHIELD(5338110-2)
△ 1	1-6392375-9	KIT WITH TYPE "B" PRE-SHIELDED RECEPTACLE(1-5352069-9) AND LOWERSHIELD(5338110-9)
△ 1	6392375-9	KIT WITH TYPE "B" PRE-SHIELDED RECEPTACLE(5352069-9) AND LOWERSHIELD(5338110-9)
	6392375-1	KIT WITH TYPE "B" PRE-SHIELDED RECEPTACLE(5352069-1) AND LOWERSHIELD(5338110-2)

PART NUMBER	DESCRIPTION
-------------	-------------

THIS DRAWING IS UNPUBLISHED.

COPYRIGHT BY TYCO ELECTRONICS CORPORATION. ALL RIGHTS RESERVED.

DIMENSIONS: mm	DWN	27AUG04	MATERIAL	—	FINISH	—
	CHK	K.N.KIRAN	25MAR05	Tyco Electronics Corporation 's-Hertogenbosch,5222AR-32		
TOLERANCES UNLESS OTHERWISE SPECIFIED:	APVD	B.MOOIJ	25MAR05			
0 PLC ±	PRODUCT SPEC	108-19082		NAME		
1 PLC ±	APPLICATION SPEC	114-19029		Z-PACK 2mm HM KIT WITH TYPE B PRE-SHIELDED RECEPTACLE AND LOWERSHIELD		
2 PLC ± ±0.2	WEIGHT	—		SIZE	CAGE CODE	DRAWING NO
3 PLC ±		A4		00779	C-6392375	
4 PLC ±		CUSTOMER DRAWING		SCALE	SHEET	OF
ANGLES ±			5:1	1	1	B