



Chipsmall Limited consists of a professional team with an average of over 10 year of expertise in the distribution of electronic components. Based in Hongkong, we have already established firm and mutual-benefit business relationships with customers from,Europe,America and south Asia,supplying obsolete and hard-to-find components to meet their specific needs.

With the principle of "Quality Parts,Customers Priority,Honest Operation,and Considerate Service",our business mainly focus on the distribution of electronic components. Line cards we deal with include Microchip,ALPS,ROHM,Xilinx,Pulse,ON,Everlight and Freescale. Main products comprise IC,Modules,Potentiometer,IC Socket,Relay,Connector.Our parts cover such applications as commercial,industrial, and automotives areas.

We are looking forward to setting up business relationship with you and hope to provide you with the best service and solution. Let us make a better world for our industry!



## Contact us

Tel: +86-755-8981 8866 Fax: +86-755-8427 6832

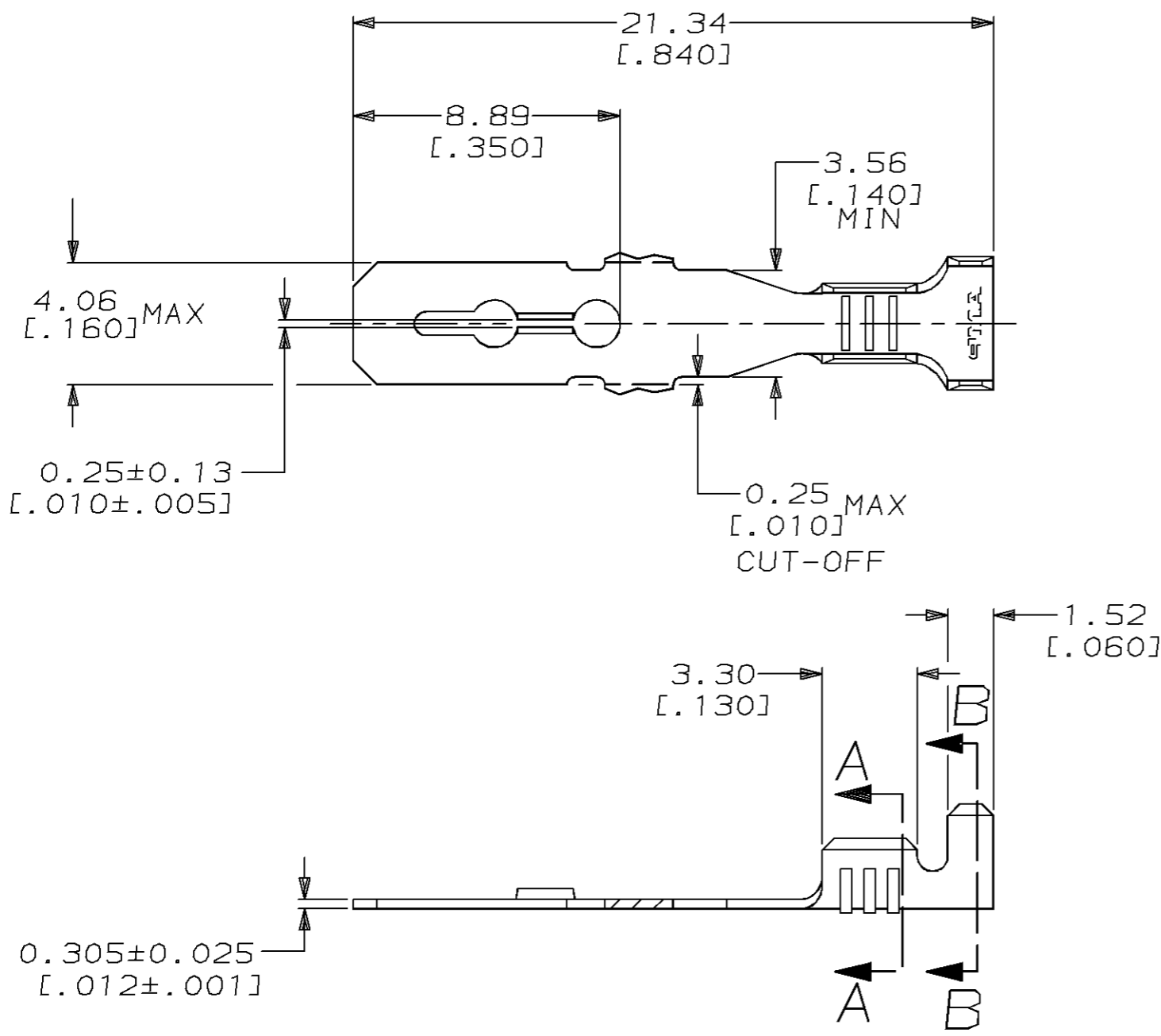
Email & Skype: info@chipsmall.com Web: www.chipsmall.com

Address: A1208, Overseas Decoration Building, #122 Zhenhua RD., Futian, Shenzhen, China

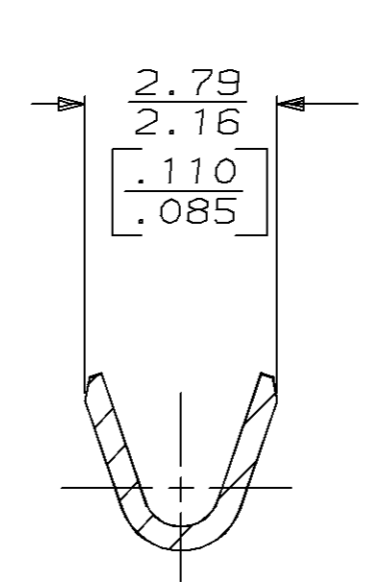


THIS DRAWING IS UNPUBLISHED. RELEASED FOR PUBLICATION ,19 .  
 © COPYRIGHT 19 BY AMP INCORPORATED. ALL RIGHTS RESERVED.

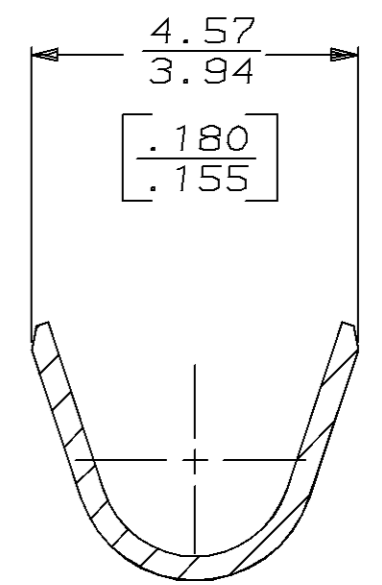
LOC	DIST	REVISIONS					
		P	LTR	DESCRIPTION	DATE	DWN	APVD
AF	50		A	RELEASED PER FASR & 0L10-0119-96	02/OCT/96	PF	PF



1 CONTINUOUS STRIP ON REEL.



SECTION A-A  
SCALE 10:1



SECTION B-B  
SCALE 10:1

1.90-2.79 [.075-.110] DIA	[22-18] AWG	63934-1
INSULATION RANGE	WIRE RANGE	PART NUMBER

THIS DRAWING IS A CONTROLLED DOCUMENT.		DWN PHILLIP M FORTNEY 17/SEP/96	AMP Incorporated Harrisburg, PA 17105-3608	
DIMENSIONS: mm [inches]		CHK JEFF R RUTH 17/SEP/96	APVD DENNIS SCHWENK 17/SEP/96	
TOLERANCES UNLESS OTHERWISE SPECIFIED:		PRODUCT SPEC		
MATERIAL		APPLICATION SPEC		
H04 PHOS BRONZE		WEIGHT -		
FINISH -		SIZE A3		
		CAGE CODE 00779		
		DRAWING NO C-63934		
		CUSTOMER DRAWING		
		SCALE 5:1		
		SHEET 1 OF 1		
		REV A		