



Chipsmall Limited consists of a professional team with an average of over 10 year of expertise in the distribution of electronic components. Based in Hongkong, we have already established firm and mutual-benefit business relationships with customers from,Europe,America and south Asia,supplying obsolete and hard-to-find components to meet their specific needs.

With the principle of “Quality Parts,Customers Priority,Honest Operation,and Considerate Service”,our business mainly focus on the distribution of electronic components. Line cards we deal with include Microchip,ALPS,ROHM,Xilinx,Pulse,ON,Everlight and Freescale. Main products comprise IC,Modules,Potentiometer,IC Socket,Relay,Connector.Our parts cover such applications as commercial,industrial, and automotives areas.

We are looking forward to setting up business relationship with you and hope to provide you with the best service and solution. Let us make a better world for our industry!



Contact us

Tel: +86-755-8981 8866 Fax: +86-755-8427 6832

Email & Skype: info@chipsmall.com Web: www.chipsmall.com

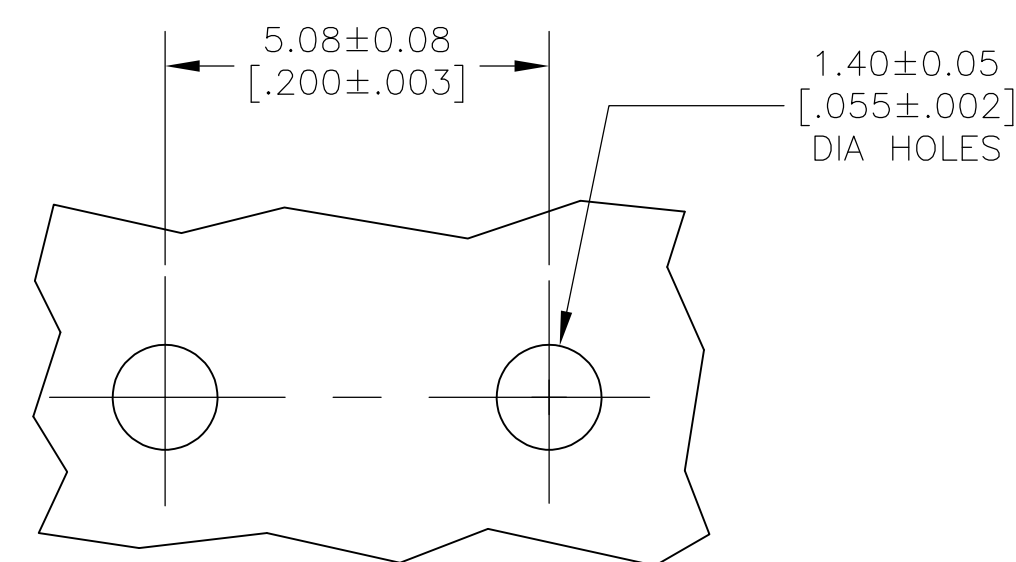
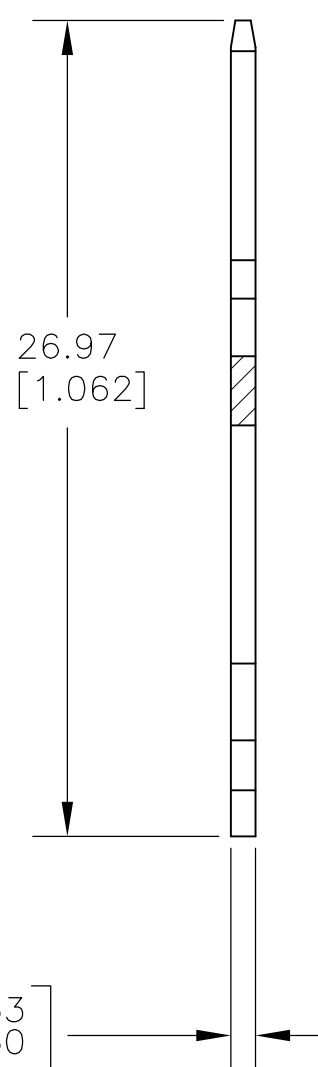
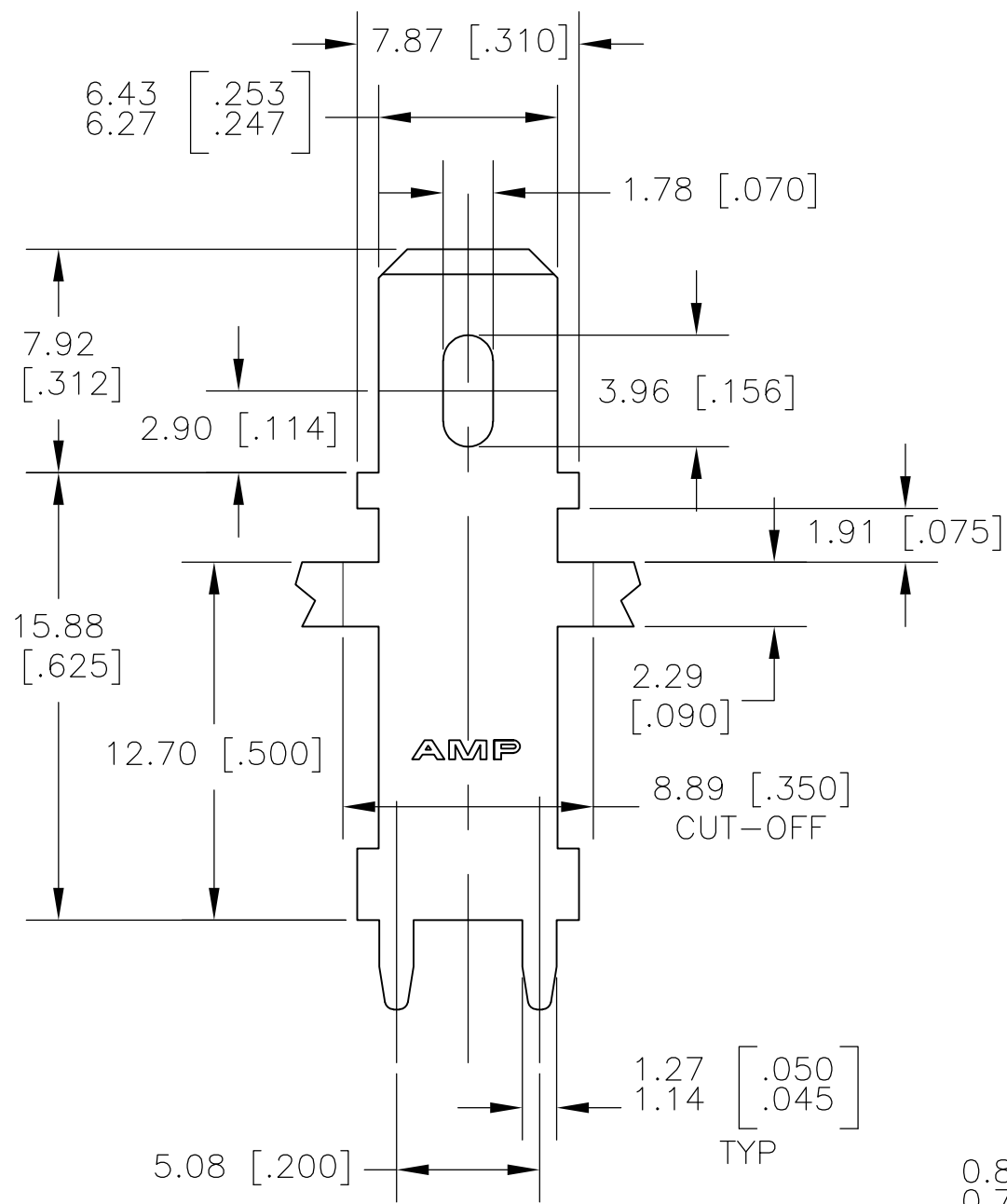
Address: A1208, Overseas Decoration Building, #122 Zhenhua RD., Futian, Shenzhen, China



THIS DRAWING IS UNPUBLISHED. RELEASED FOR PUBLICATION
 © COPYRIGHT - By - ALL RIGHTS RESERVED.

LOC	DIST	REVISIONS					
AF	50	P	LTR	DESCRIPTION	DATE	DWN	APVD
		G1		REV PER ECO 12-020692	27NOV12	JR	PD

- 1 CONTINUOUS STRIP ON REELS
- 2 FEED IS 8.89±0.076 [.350±.003].
- 3 0.00381 [.000150] MIN TIN OVER
0.00127 [.000050] MIN NICKEL.
- 4 REELED WITH INTERLEAVING PAPER
- 5 PRELIMINARY - NOT FOR PRODUCTION



P.C. BOARD HOLES
SCALE 10:1

4	082 BRASS	5	63949-3
	H04 BRASS	5	63949-2
	082 BRASS		63949-1
	MATERIAL		PART NO.

THIS DRAWING IS A CONTROLLED DOCUMENT.		DWN	JR RUTH	05DEC00	STE TE Connectivity		
DIMENSIONS: INCHES		CHK	MS FEHER	05DEC00			
TOLERANCES UNLESS OTHERWISE SPECIFIED:		APVD	G PORTA	05DEC00	NAME		
0 PLC ± -		PRODUCT SPEC		TAB, FASTON, P.C. BOARD, 6.35 [.250] SERIES			
1 PLC ± -		APPLICATION SPEC		114-2115		SIZE	A3
2 PLC ± 0.25 [.010]		WEIGHT		-		CAGE CODE	00779
3 PLC ± -		CUSTOMER DRAWING		SCALE		DRAWING NO	C-63949
4 PLC ± -		MATERIAL		SEE TABLE		RESTRICTED TO	-
ANGLES ± -		FINISH		3		SHEET	1 OF 1
FINISH		3		REV		G1	