



Chipsmall Limited consists of a professional team with an average of over 10 year of expertise in the distribution of electronic components. Based in Hongkong, we have already established firm and mutual-benefit business relationships with customers from,Europe,America and south Asia,supplying obsolete and hard-to-find components to meet their specific needs.

With the principle of “Quality Parts,Customers Priority,Honest Operation,and Considerate Service”,our business mainly focus on the distribution of electronic components. Line cards we deal with include Microchip,ALPS,ROHM,Xilinx,Pulse,ON,Everlight and Freescale. Main products comprise IC,Modules,Potentiometer,IC Socket,Relay,Connector.Our parts cover such applications as commercial,industrial, and automotives areas.

We are looking forward to setting up business relationship with you and hope to provide you with the best service and solution. Let us make a better world for our industry!



Contact us

Tel: +86-755-8981 8866 Fax: +86-755-8427 6832

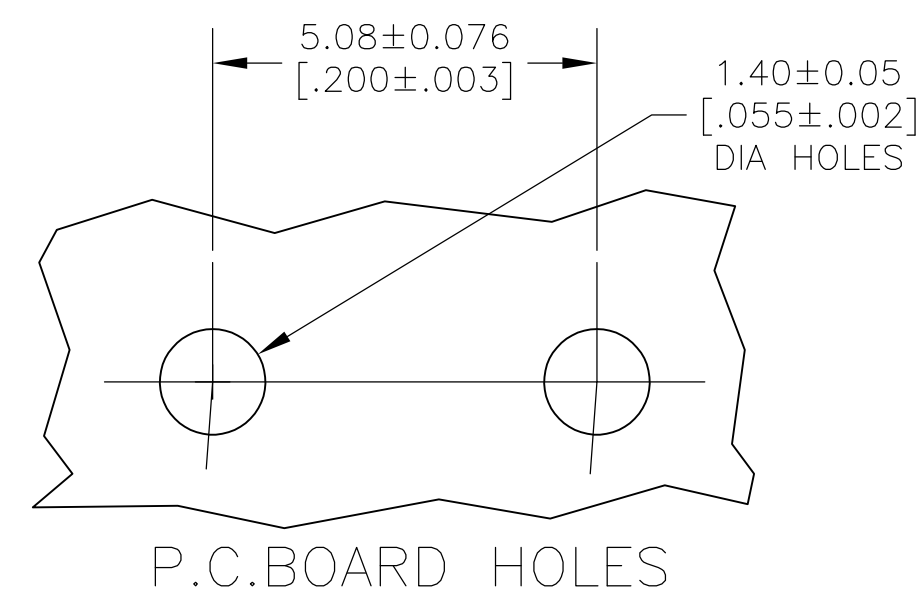
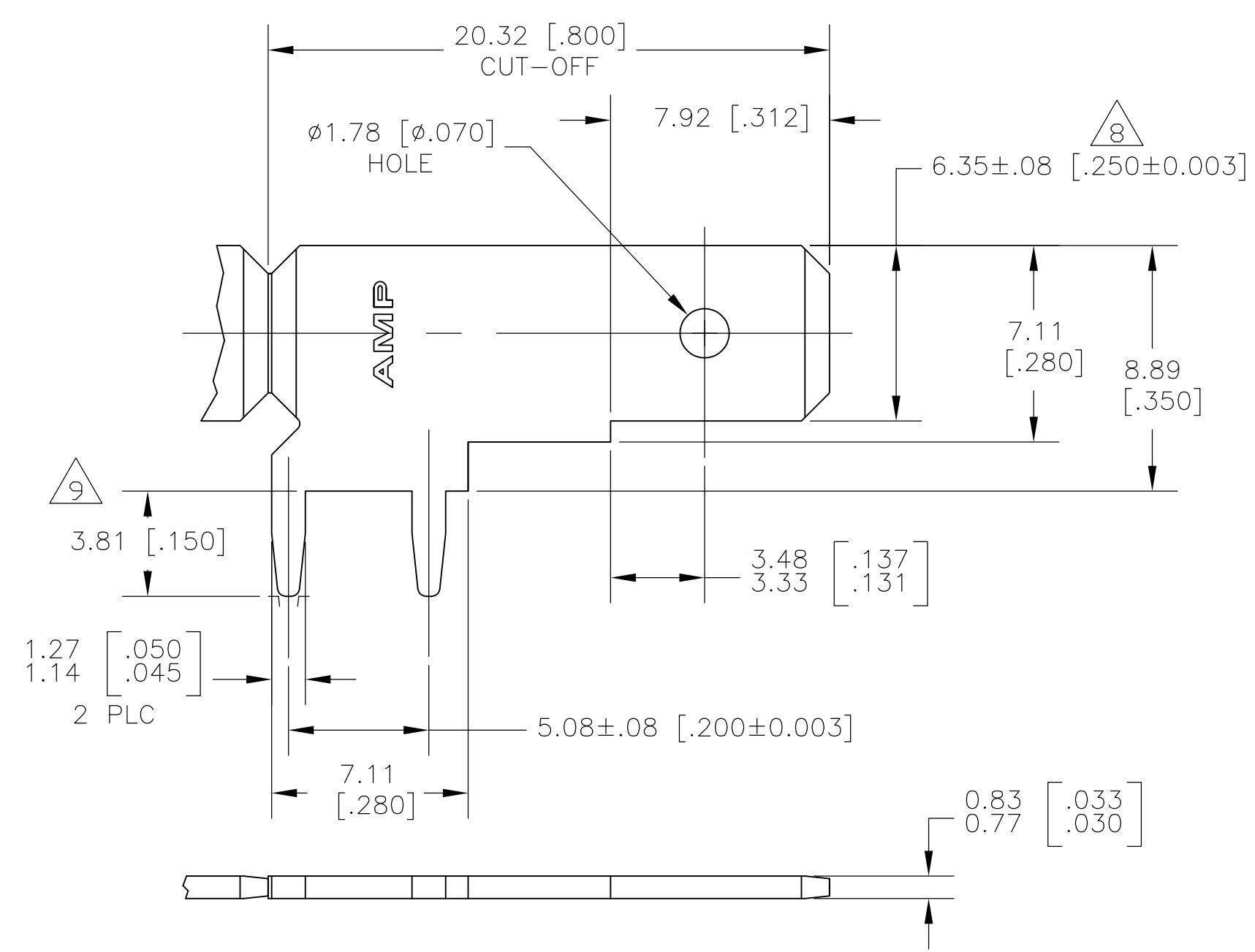
Email & Skype: info@chipsmall.com Web: www.chipsmall.com

Address: A1208, Overseas Decoration Building, #122 Zhenhua RD., Futian, Shenzhen, China



THIS DRAWING IS UNPUBLISHED. RELEASED FOR PUBLICATION
 © COPYRIGHT - By - ALL RIGHTS RESERVED.

| | | | | | | | |
|-----|------|-----------|-----|---------------------------|---------|-----|------|
| LOC | DIST | REVISIONS | | | | | |
| AF | 50 | P | LTR | DESCRIPTION | DATE | DWN | APVD |
| | | | K3 | REVISED PER ECO-12-020692 | 27NOV12 | JR | PD |



- 1 CONTINUOUS STRIP ON REELS.
- 2 0.00381 [.000150] MIN TIN OVER
0.00127 [.000050] MIN NICKEL.
- 3 REVERSE REELING OF 63951-1
- 4 0.00254 [.000100] MIN SILVER
OVER 0.00127 [.000050] MIN NICKEL
- 5 REELED WITH INTERLEAVING PAPER
- 6 PRELIMINARY - NOT FOR PRODUCTION
- 7 0.00127 [.000050] MIN NICKEL ALL OVER
FOR 63951-5 ONLY
- 8 0.00076 [.000030] MIN SELECTIVE GOLD, BOTH
SIDES, 63951-5 ONLY.
- 9 0.002032 [.000080] MIN SELECTIVE LEAD FREE
TIN, BOTH SIDES, 63951-5 ONLY.
- 10 REVERSE REELED WITH TAB OFF FIRST AND
PCB POSTS FACING AWAY.

| | | | | | | |
|--------|----|---|---|----------|---|---------|
| 5 | 10 | 2 | 6 | 63951-9 | | |
| 10 | | 2 | | 63951-8 | | |
| | | 7 | 8 | 9 | 6 | 63951-5 |
| 5 | | 2 | | | 6 | 63951-4 |
| | | 4 | | | 6 | 63951-3 |
| 3 | | 2 | | | 6 | 63951-2 |
| | | 2 | | | | 63951-1 |
| FINISH | | | | PART NO. | | |

| | | | | | | | |
|--|--|------------------|----------|------------------------------------|----------------------------|---------|--|
| THIS DRAWING IS A CONTROLLED DOCUMENT. | | DWN | JR RUTH | 11DEC00 | STE TE Connectivity | | |
| DIMENSIONS: INCHES | | CHK | MS FEHER | 11DEC00 | | | |
| TOLERANCES UNLESS OTHERWISE SPECIFIED: | | APVD | G PORTA | 11DEC00 | NAME | | |
| 0 PLC ± - | | PRODUCT SPEC | | TAB, FASTON, 6.35 [.250] SERIES | | | |
| 1 PLC ± - | | APPLICATION SPEC | | SIZE | | | |
| 2 PLC ± 0.25 [.010] | | 114-2115 | | CAGE CODE | DRAWING NO | | |
| 3 PLC ± - | | WEIGHT | | A300779 | | C-63951 | |
| 4 PLC ± - | | CUSTOMER DRAWING | | SCALE | | SHEET | |
| ANGLES ± - | | 082 BRASS | | 5:1 | | 1 OF 1 | |
| FINISH | | SEE TABLE | | REV | | K3 | |