



Chipsmall Limited consists of a professional team with an average of over 10 year of expertise in the distribution of electronic components. Based in Hongkong, we have already established firm and mutual-benefit business relationships with customers from,Europe,America and south Asia,supplying obsolete and hard-to-find components to meet their specific needs.

With the principle of “Quality Parts,Customers Priority,Honest Operation,and Considerate Service”,our business mainly focus on the distribution of electronic components. Line cards we deal with include Microchip,ALPS,ROHM,Xilinx,Pulse,ON,Everlight and Freescale. Main products comprise IC,Modules,Potentiometer,IC Socket,Relay,Connector.Our parts cover such applications as commercial,industrial, and automotives areas.

We are looking forward to setting up business relationship with you and hope to provide you with the best service and solution. Let us make a better world for our industry!



Contact us

Tel: +86-755-8981 8866 Fax: +86-755-8427 6832

Email & Skype: info@chipsmall.com Web: www.chipsmall.com

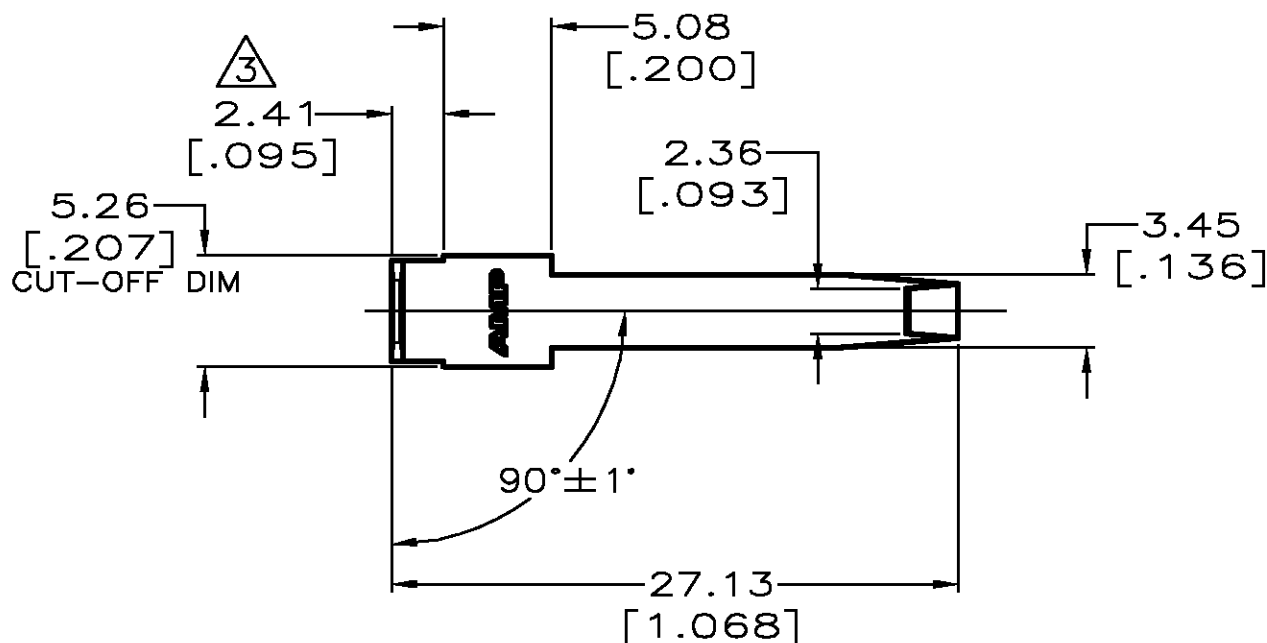
Address: A1208, Overseas Decoration Building, #122 Zhenhua RD., Futian, Shenzhen, China



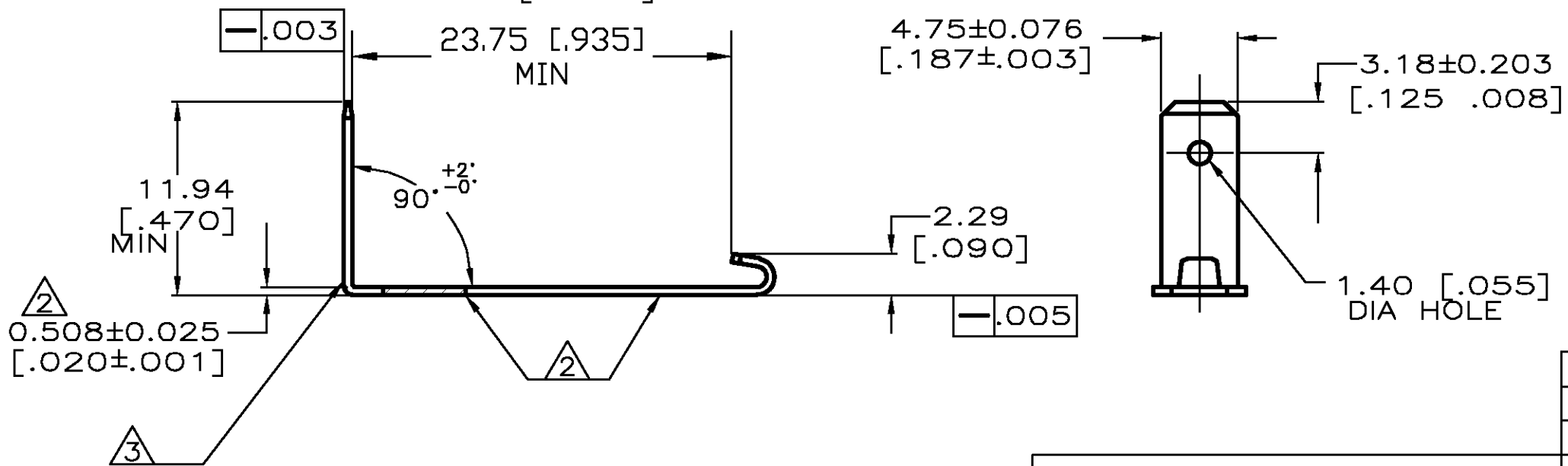
THIS DRAWING IS UNPUBLISHED. RELEASED FOR PUBLICATION ,19

© COPYRIGHT 19 BY AMP INCORPORATED. ALL INTERNATIONAL RIGHTS RESERVED.

LOC	DIST	P	F	REVISIONS			
ZONE	LTR	DESCRIPTION	DATE	APPD			
AF	50						
			H	REV PER	OG3A-0677-02		12NOV02 JR/ND



- 1 SUPPLIED IN LOOSE PIECE
- 2 0.41 [.016] THK 1/4 HARD S.STEEL WITH 0.102 [.004] THK COPPER CLAD, THIS SIDE ONLY.
- 3 DIM APPLIES AT TANGENT OF RADIUS AT BASE.
- 4 CLEANING PROCESS NOT INCLUDED.
- 5 0.51 [.020] THK 1/4 HARD S.STEEL
- 6 PRELIMINARY - NOT FOR PRODUCTION.



FINISH	MATERIAL	PART NO
-	5 63953-3	6
4	2 63953-2	6
-	2 63953-1	

DO NOT SCALE PRINT. UNLESS SPECIFIED	DR 11/14/97 JR RUTH
DIMENSIONS IN mm [INCHES]	CHK 11/14/97 MS FEHER
TOLERANCES ON:	APPD 11/14/97 P DESANTIS
2 PLC DEC ± 0.25 [.010]	APPD 11/14/97 D BRATINA
3 PLC DEC ± -	PRODUCT SPEC -
ANGLES ± 1'	APPLICATION SPEC -
MATERIAL SEE TABLE	WEIGHT -
FINISH SEE TABLE	

AMP AMP Incorporated Harrisburg, PA 17105-3608		
NAME TAB, SPECIAL, 4.75 [.187] SERIES		
SIZE B	CAGE CODE 00779	DRAWING NO C=63953
SCALE 3:1	SHEET 1 OF 1	

THIS DRAWING IS A CONTROLLED DOCUMENT FOR AMP INCORPORATED. IT IS SUBJECT TO CHANGE AND THE CONTROLLING ENGINEERING ORGANIZATION SHOULD BE CONTACTED FOR THE LATEST REVISION.