



Chipsmall Limited consists of a professional team with an average of over 10 year of expertise in the distribution of electronic components. Based in Hongkong, we have already established firm and mutual-benefit business relationships with customers from,Europe,America and south Asia,supplying obsolete and hard-to-find components to meet their specific needs.

With the principle of "Quality Parts,Customers Priority,Honest Operation,and Considerate Service",our business mainly focus on the distribution of electronic components. Line cards we deal with include Microchip,ALPS,ROHM,Xilinx,Pulse,ON,Everlight and Freescale. Main products comprise IC,Modules,Potentiometer,IC Socket,Relay,Connector.Our parts cover such applications as commercial,industrial, and automotives areas.

We are looking forward to setting up business relationship with you and hope to provide you with the best service and solution. Let us make a better world for our industry!



Contact us

Tel: +86-755-8981 8866 Fax: +86-755-8427 6832

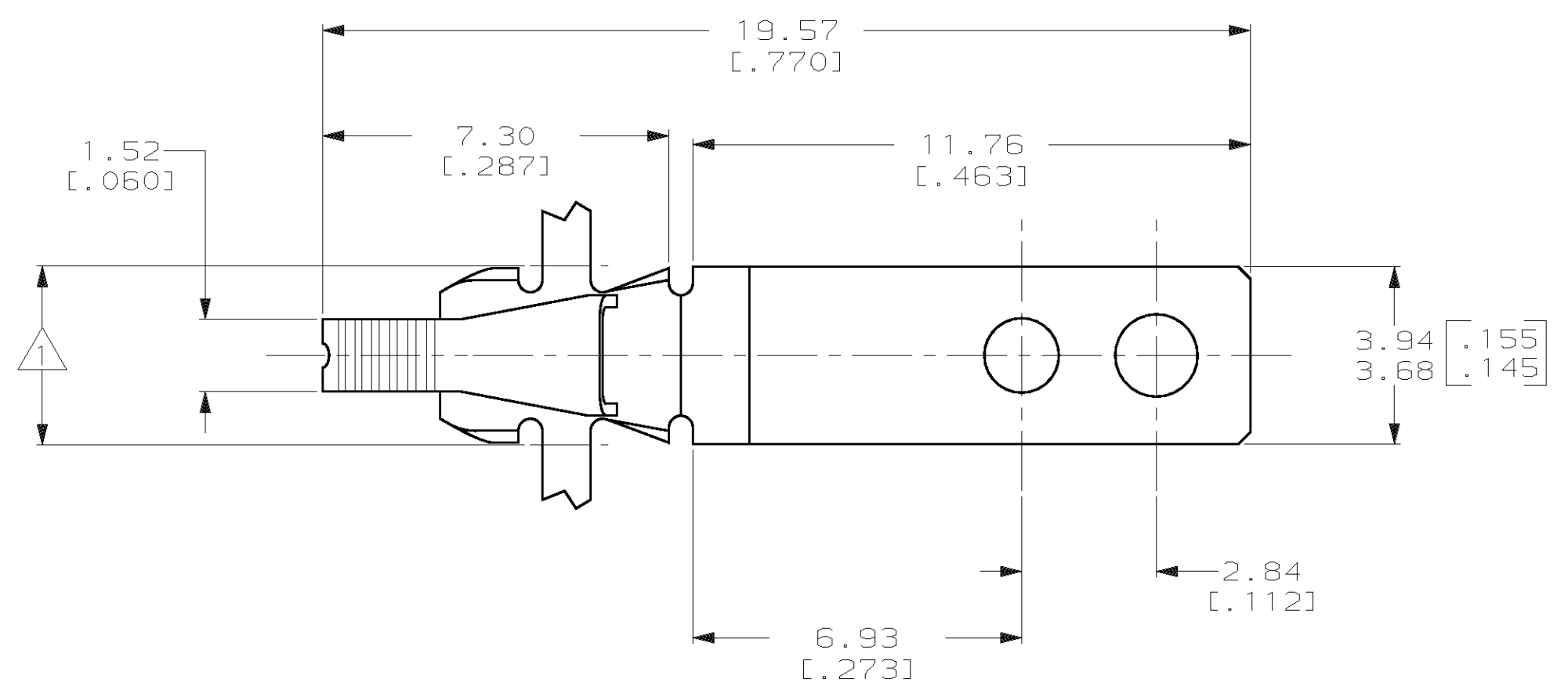
Email & Skype: info@chipsmall.com Web: www.chipsmall.com

Address: A1208, Overseas Decoration Building, #122 Zhenhua RD., Futian, Shenzhen, China

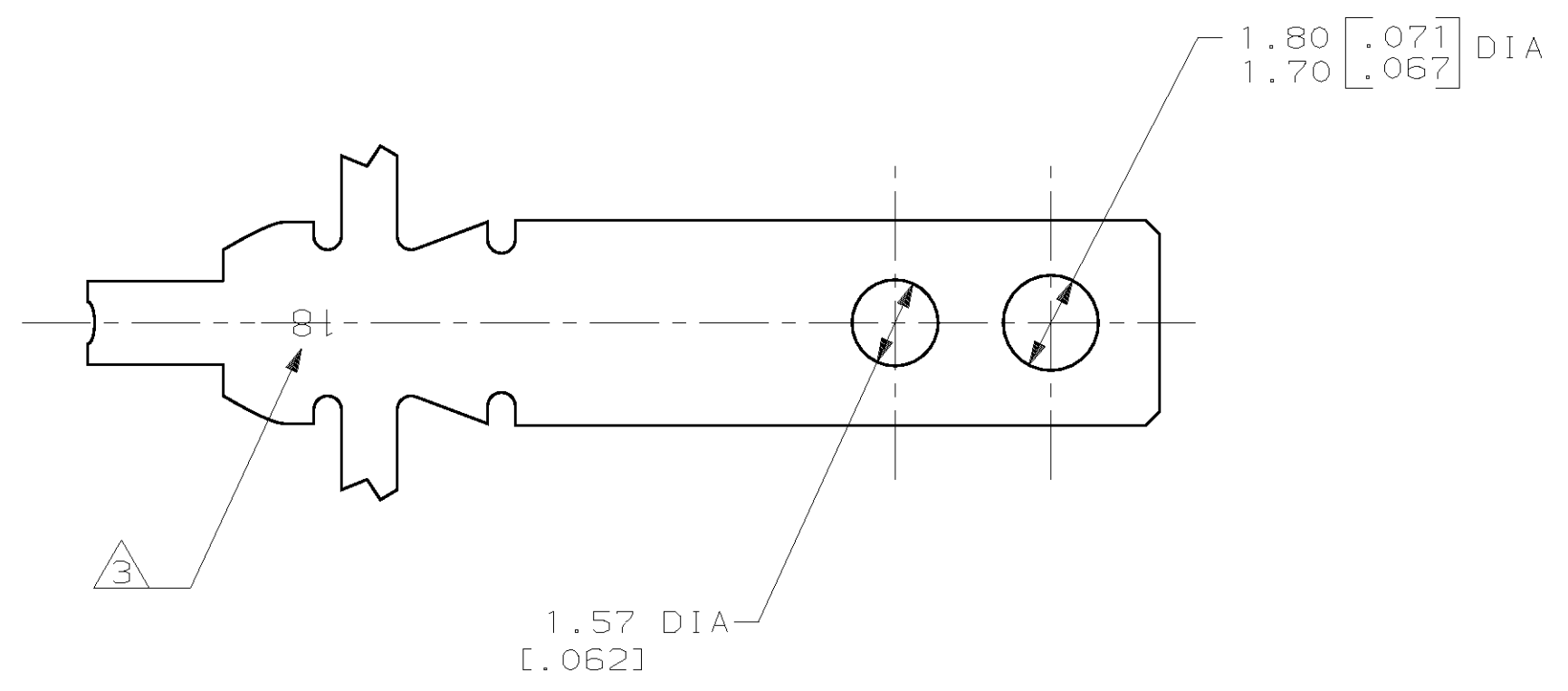
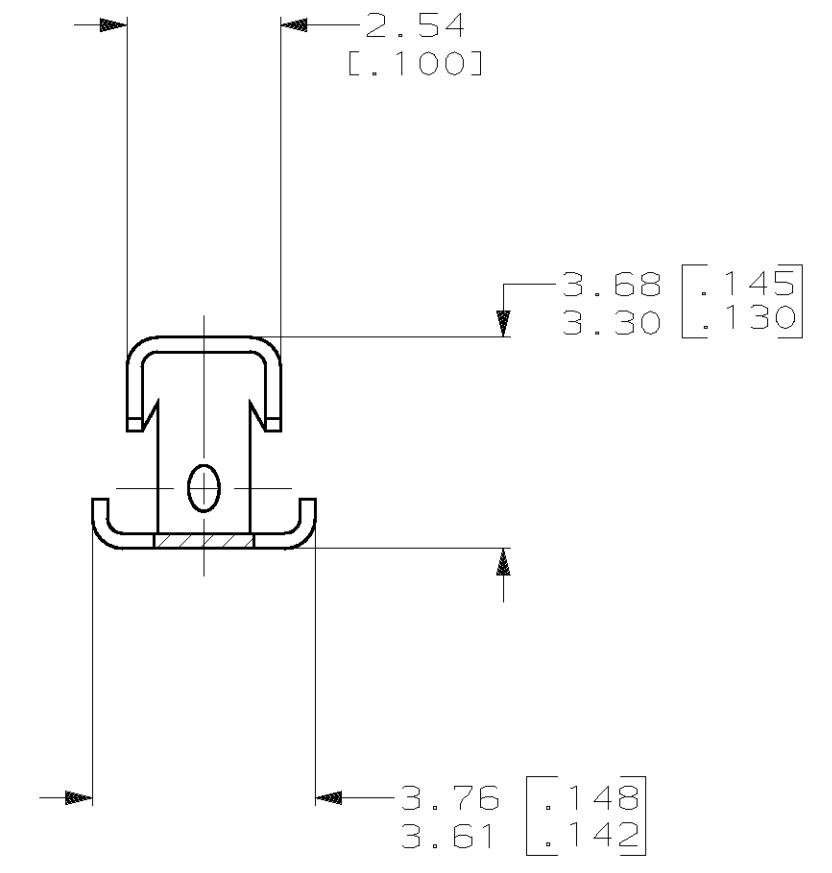
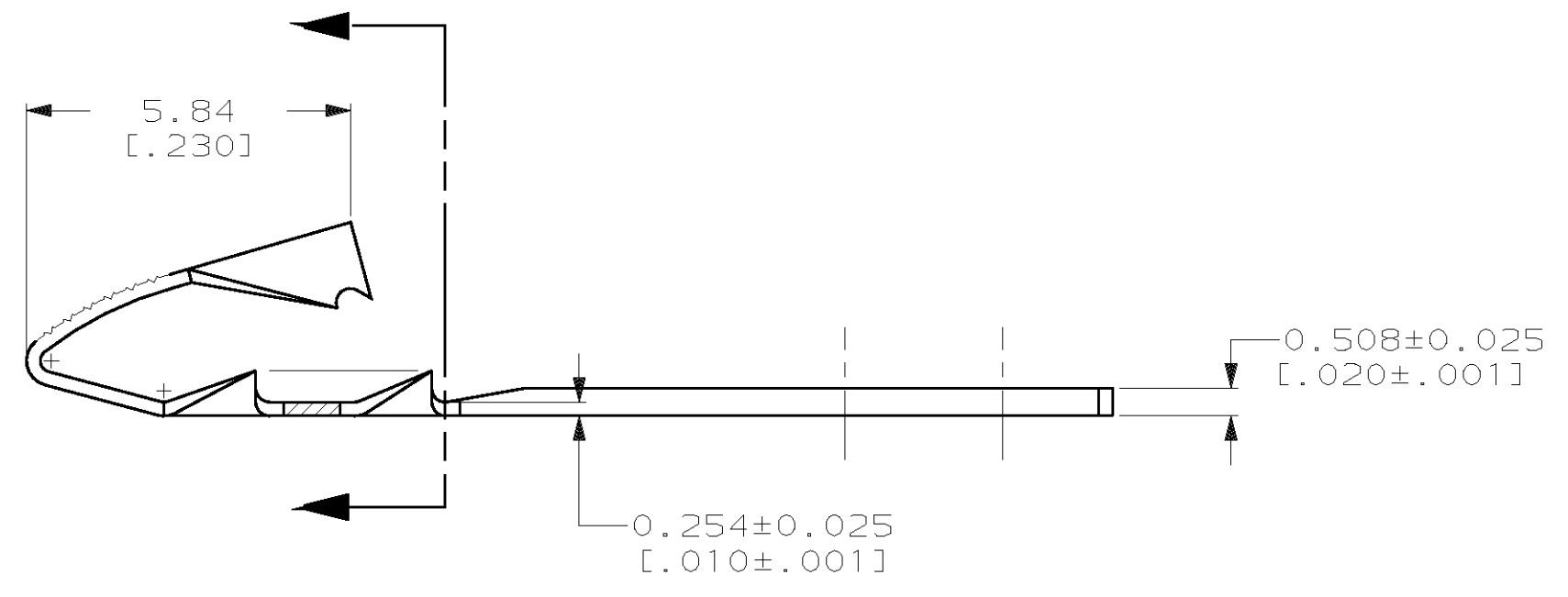


THIS DRAWING IS UNPUBLISHED. RELEASED FOR PUBLICATION
 BY AMP INCORPORATED. ALL RIGHTS RESERVED.

LOC	DIST	REVISIONS			
P	LTR	DESCRIPTION	DATE	DWN	APVD
AF	50	B	REVISED MATERIAL PER 0L10-0451-97	19NOV97	MF NN



- 1 3.78 [.149] MAX APPLICATOR CUT-OFF.
- 2 CONTINUOUS STRIP ON REELS WITH TERMINALS LOCATED ON 6.10±0.08 [.240±.003] CENTERS.
- 3 IDENTIFICATION NUMBER 18 FOR MAGNET WIRE RANGE.
- 4 0.002032 [.000080] MIN TIN PER MIL-T-10727 OVER 0.00127 [.000050] MIN NICKEL UNDERPLATE PER 112-25-2.



THIS DRAWING IS A CONTROLLED DOCUMENT.		DWN MICHAEL S. FEHER	0.10-0.25mm [#38-#30] AWG		63956-1
DIMENSIONS: mm [INCHES]		CHK RICHARD GRZYBOWSKI	COPPER MAGNET WIRE RANGE		PART NUMBER
TOLERANCES UNLESS OTHERWISE SPECIFIED:		APVD NELSON E. NEFF	AMP Incorporated Harrisburg, PA 17105-3608		
0 PLC ±-		PRODUCT SPEC	TAB, MINI MAG-MATE™		
1 PLC ±-		APPLICATION SPEC	108-2016		
2 PLC ±0.25 [.010]		WEIGHT	-		
3 PLC ±-		CUSTOMER DRAWING	A2 00779 C-63956		
4 PLC ±-		SCALE	8:1		
ANGLES ±-		SHEET	1 OF 1		
FINISH		REV	B		
MATERIAL H04 PRE-MILLED PHOS. BRONZE					