



Chipsmall Limited consists of a professional team with an average of over 10 year of expertise in the distribution of electronic components. Based in Hongkong, we have already established firm and mutual-benefit business relationships with customers from,Europe,America and south Asia,supplying obsolete and hard-to-find components to meet their specific needs.

With the principle of "Quality Parts,Customers Priority,Honest Operation,and Considerate Service",our business mainly focus on the distribution of electronic components. Line cards we deal with include Microchip,ALPS,ROHM,Xilinx,Pulse,ON,Everlight and Freescale. Main products comprise IC,Modules,Potentiometer,IC Socket,Relay,Connector.Our parts cover such applications as commercial,industrial, and automotives areas.

We are looking forward to setting up business relationship with you and hope to provide you with the best service and solution. Let us make a better world for our industry!



Contact us

Tel: +86-755-8981 8866 Fax: +86-755-8427 6832

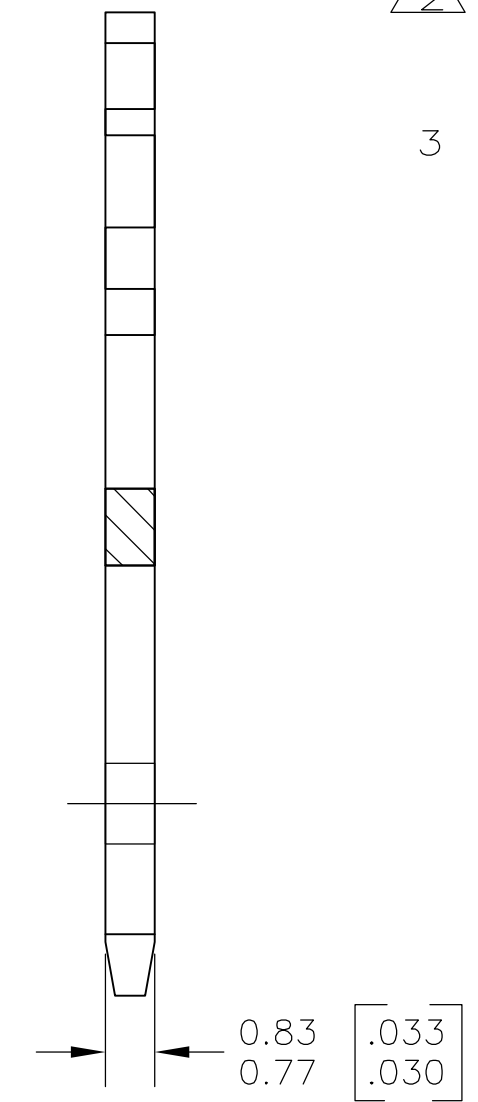
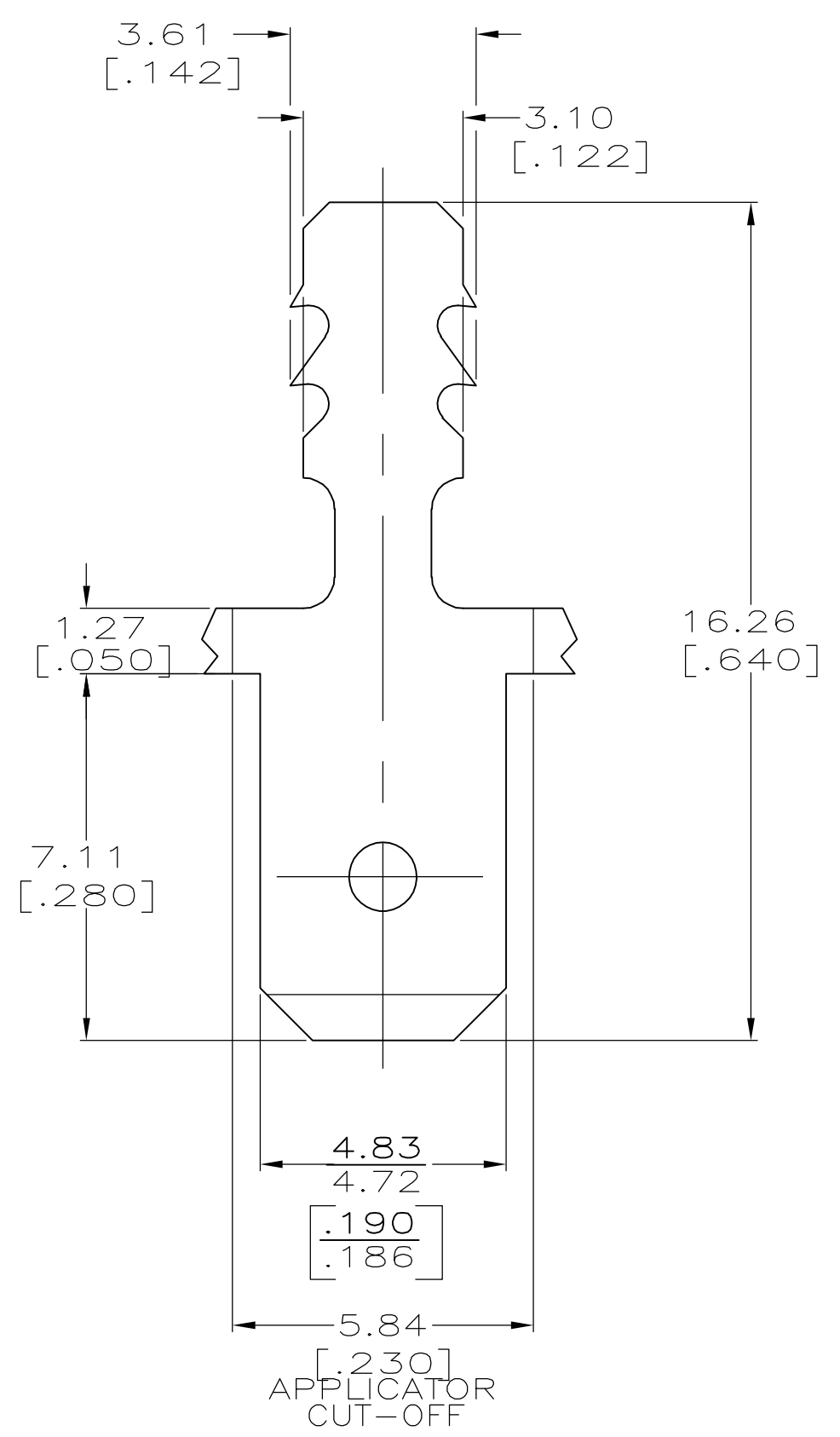
Email & Skype: info@chipsmall.com Web: www.chipsmall.com

Address: A1208, Overseas Decoration Building, #122 Zhenhua RD., Futian, Shenzhen, China



THIS DRAWING IS UNPUBLISHED. RELEASED FOR PUBLICATION
 © COPYRIGHT BY TYCO ELECTRONICS CORPORATION. ALL RIGHTS RESERVED.

LOC	DIST	REVISIONS					
AF	50	P	LTR	DESCRIPTION	DATE	DWN	APVD
			C	REV PER ECR 05-017561	24MAR06	JR	KR



- 1 CONTINUOUS STRIP ON REEL.
- △ 2 FINISH: 0.00381 [.000150] MIN TIN PL ALL OVER 0.00254 [.000100] MIN COPPER UNDERPLATE.
- 3 DIMENSIONAL MEASUREMENTS DO NOT INCLUDE PLATING, BURRS, OR FLATNESS TOLERANCE.

63967-1
 PART NO

THIS DRAWING IS A CONTROLLED DOCUMENT.		DWN PHILLIP M FORTNEY 31/JAN/97	Tyco Electronics Corporation Harrisburg, PA 17105-3608	
DIMENSIONS: MM [INCHES]		CHK MICHAEL S FEHER 31/JAN/97	NAME BOBBIN TAB, 4.75 [.187] SERIES	
TOLERANCES UNLESS OTHERWISE SPECIFIED:		APVD D SCHWENK 31JAN97	PRODUCT SPEC -	
0 PLC ± - 1 PLC ± - 2 PLC ± 0.25 [.010] 3 PLC ± - 4 PLC ± - ANGLES ± -		APPLICATION SPEC -		
MATERIAL 082 BRASS	FINISH △ 2	WEIGHT -	SIZE A3	CAGE CODE 00779
CUSTOMER DRAWING			DRAWING NO C-63967	RESTRICTED TO -
SCALE 8:1			SHEET 1 OF 1	REV C