



Chipsmall Limited consists of a professional team with an average of over 10 year of expertise in the distribution of electronic components. Based in Hongkong, we have already established firm and mutual-benefit business relationships with customers from,Europe,America and south Asia,supplying obsolete and hard-to-find components to meet their specific needs.

With the principle of “Quality Parts,Customers Priority,Honest Operation,and Considerate Service”,our business mainly focus on the distribution of electronic components. Line cards we deal with include Microchip,ALPS,ROHM,Xilinx,Pulse,ON,Everlight and Freescale. Main products comprise IC,Modules,Potentiometer,IC Socket,Relay,Connector.Our parts cover such applications as commercial,industrial, and automotives areas.

We are looking forward to setting up business relationship with you and hope to provide you with the best service and solution. Let us make a better world for our industry!



Contact us

Tel: +86-755-8981 8866 Fax: +86-755-8427 6832

Email & Skype: info@chipsmall.com Web: www.chipsmall.com

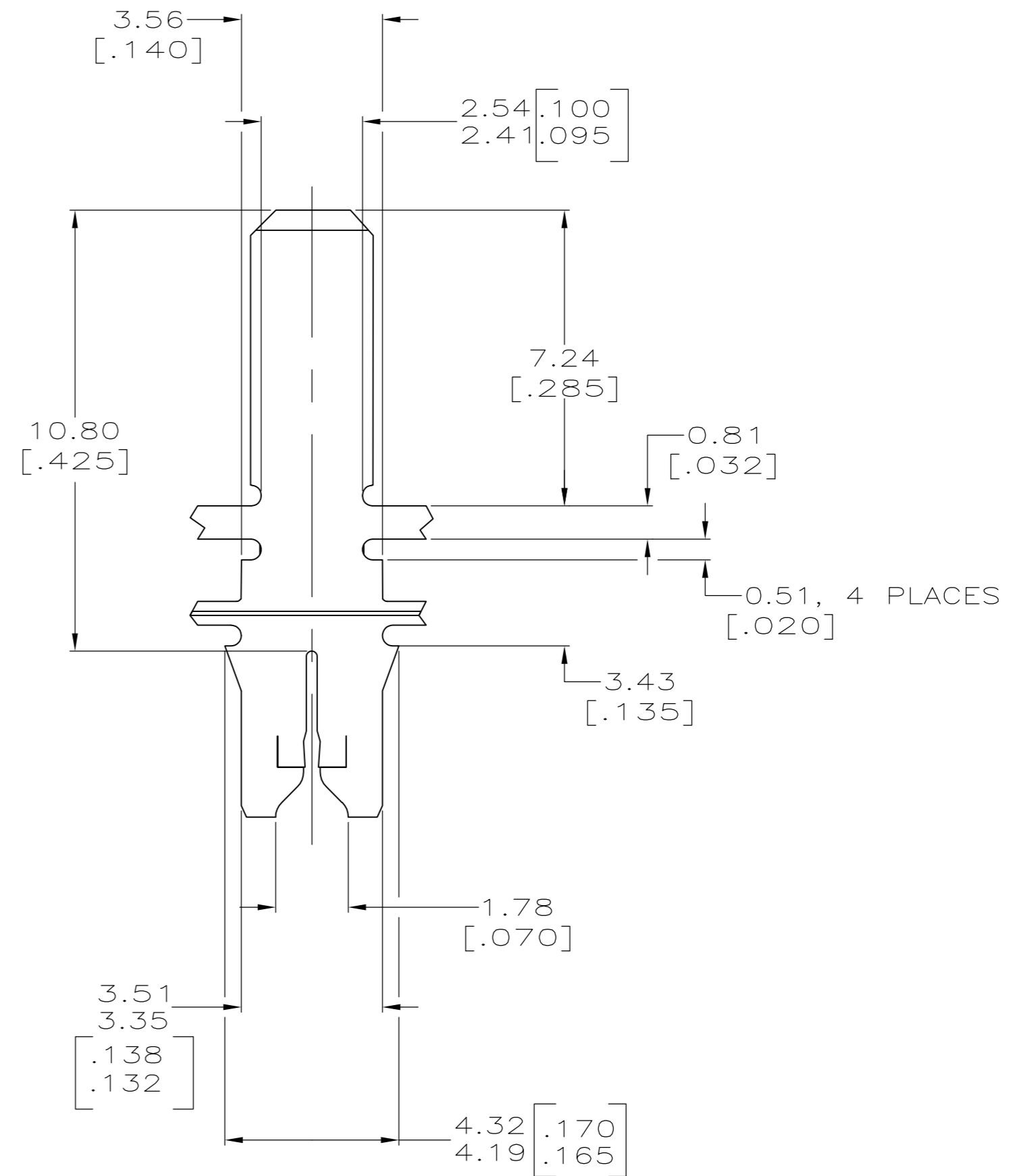
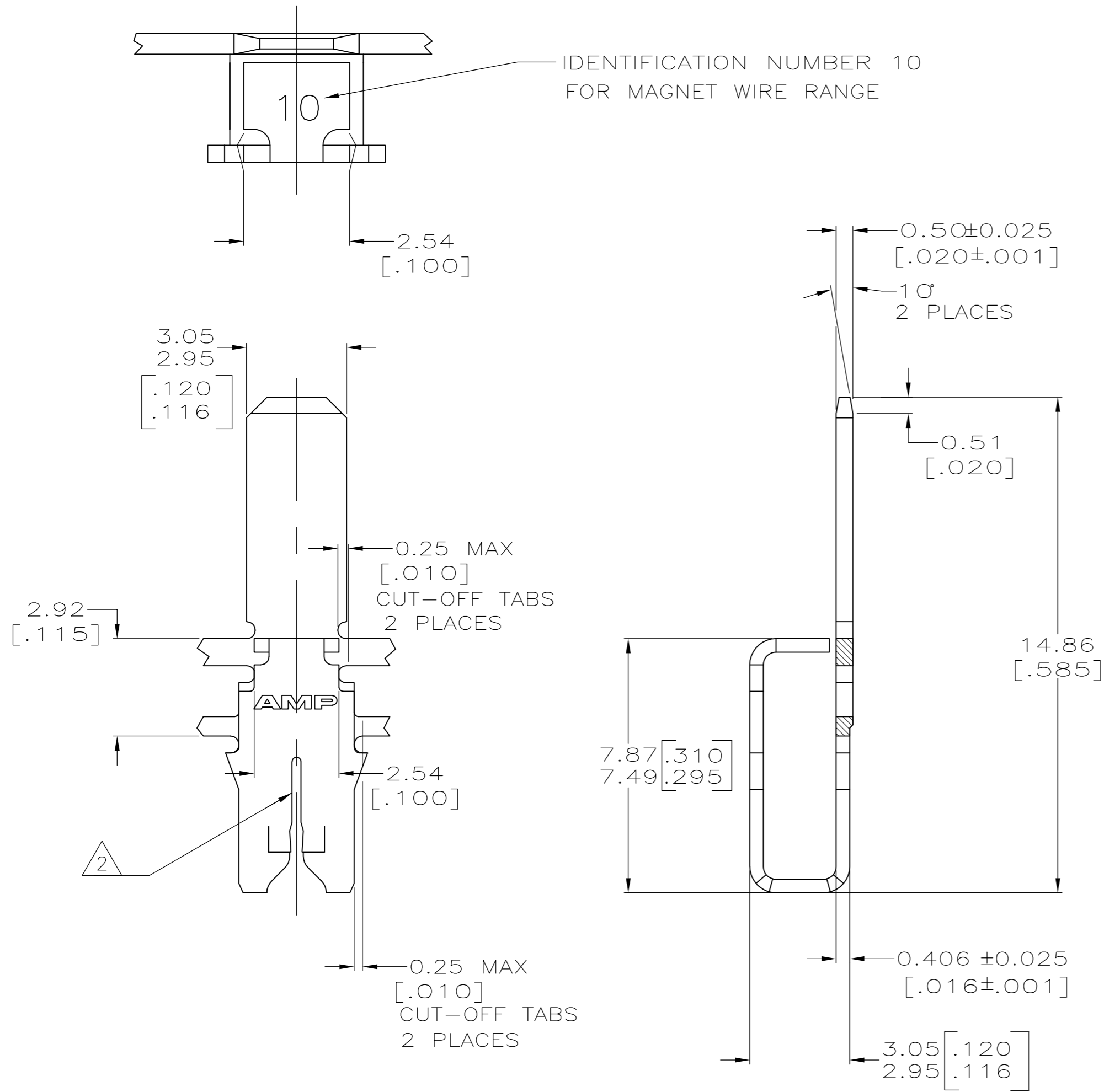
Address: A1208, Overseas Decoration Building, #122 Zhenhua RD., Futian, Shenzhen, China



THIS DRAWING IS UNPUBLISHED. RELEASED FOR PUBLICATION
 © COPYRIGHT BY TYCO ELECTRONICS CORPORATION. ALL RIGHTS RESERVED.

LOC	DIST	REVISIONS			
P	LTR	DESCRIPTION	DATE	DWN	APVD
AF	50	A1	REVISED PER ECR-07-018614	10AUG07	HMR KR

- 1 CONTINUOUS STRIP ON REELS WITH TERMINALS LOCATED ON 5.59±0.08 [.220±.003] CENTERS
- 2 SLOT ACCEPTS A SINGLE 0.36-0.57mm [#27-#23] AWG COPPER MAGNET WIRE
- 3 TERMINALS ARE STRESS RELIEVED
- 4 PRELIMINARY - NOT FOR PRODUCTION.



0.00127[.000050] MIN NICKEL	4 63973-2
0.002032[.000080] MIN TIN	63973-1
FINISH	PART NUMBER

THIS DRAWING IS A CONTROLLED DOCUMENT.		DWN R.GRZYBOWSKI 9APR97	Tyco Electronics Corporation Harrisburg, PA 17105-3608	
DIMENSIONS: mm [INCHES]		CHK M.S.FEHER 9APR97	NAME	
TOLERANCES UNLESS OTHERWISE SPECIFIED:		APVD K.RANDOLPH 9APR97	TERMINAL, TAB, 3.00[.118], MAG-MATE™	
0 PLC ± -	1 PLC ± -	PRODUCT SPEC 108-2012	SIZE	CAGE CODE
2 PLC ± 0.25[.010]	3 PLC ± -	APPLICATION SPEC 114-2046	A2	00779
4 PLC ± -	ANGLES ± -	FINISH	DRAWING NO	RESTRICTED TO
MATERIAL H04 PRE-MILLED BRASS		SEE TABLE 3	SCALE 8:1	SHEET 1 OF 1
CUSTOMER DRAWING		WEIGHT -	REV A1	