



Chipsmall Limited consists of a professional team with an average of over 10 year of expertise in the distribution of electronic components. Based in Hongkong, we have already established firm and mutual-benefit business relationships with customers from,Europe,America and south Asia,supplying obsolete and hard-to-find components to meet their specific needs.

With the principle of “Quality Parts,Customers Priority,Honest Operation,and Considerate Service”,our business mainly focus on the distribution of electronic components. Line cards we deal with include Microchip,ALPS,ROHM,Xilinx,Pulse,ON,Everlight and Freescale. Main products comprise IC,Modules,Potentiometer,IC Socket,Relay,Connector.Our parts cover such applications as commercial,industrial, and automotives areas.

We are looking forward to setting up business relationship with you and hope to provide you with the best service and solution. Let us make a better world for our industry!



Contact us

Tel: +86-755-8981 8866 Fax: +86-755-8427 6832

Email & Skype: info@chipsmall.com Web: www.chipsmall.com

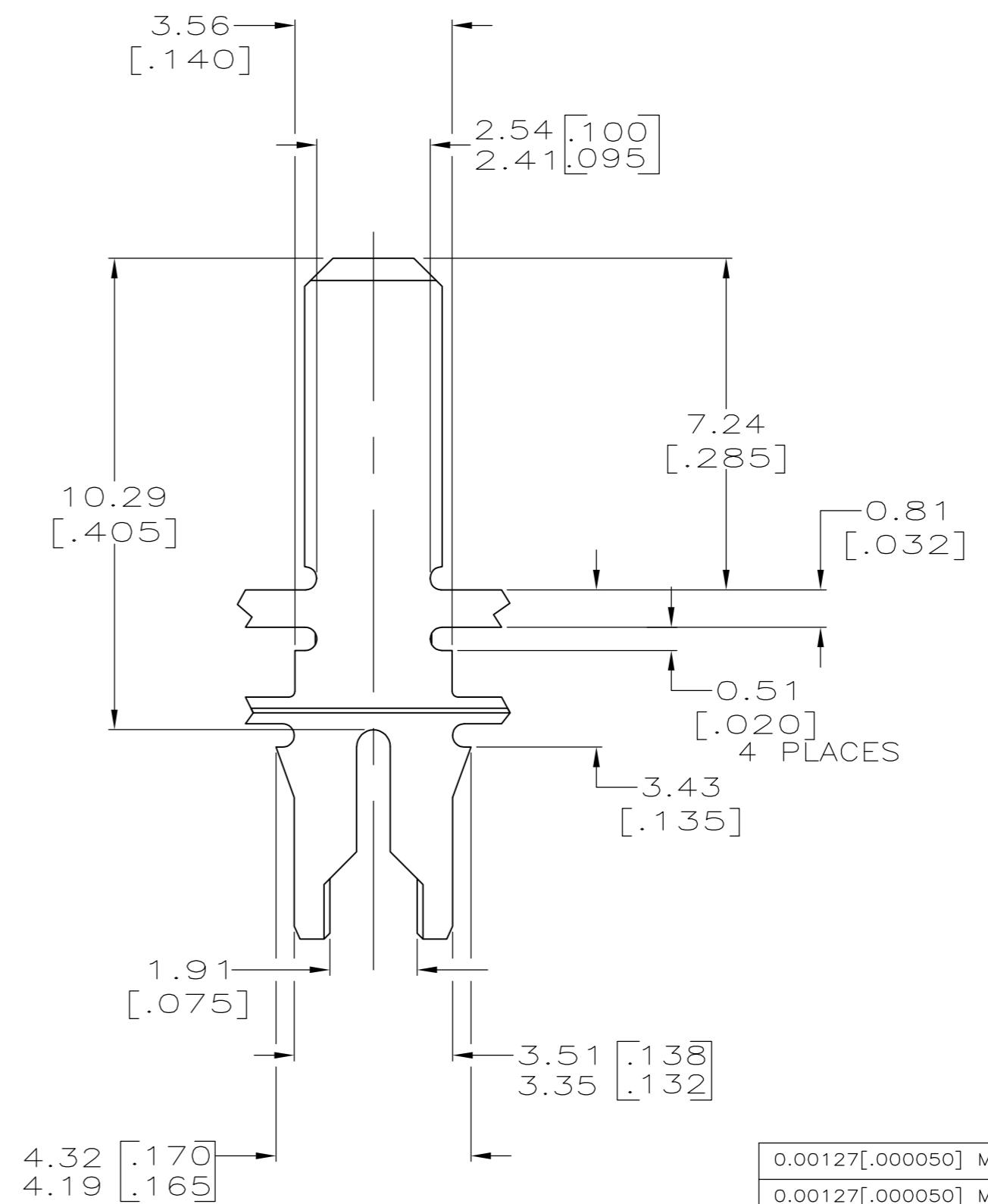
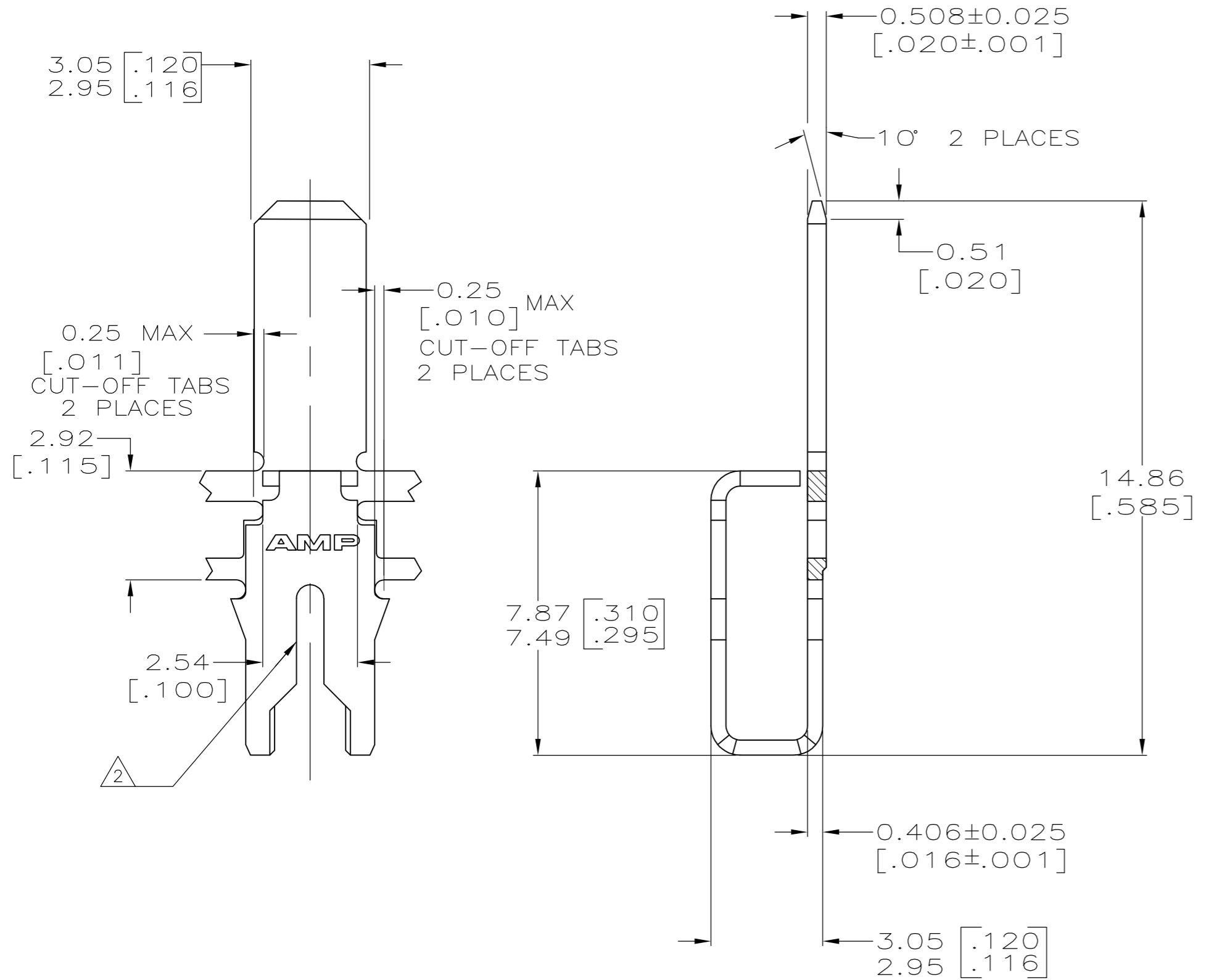
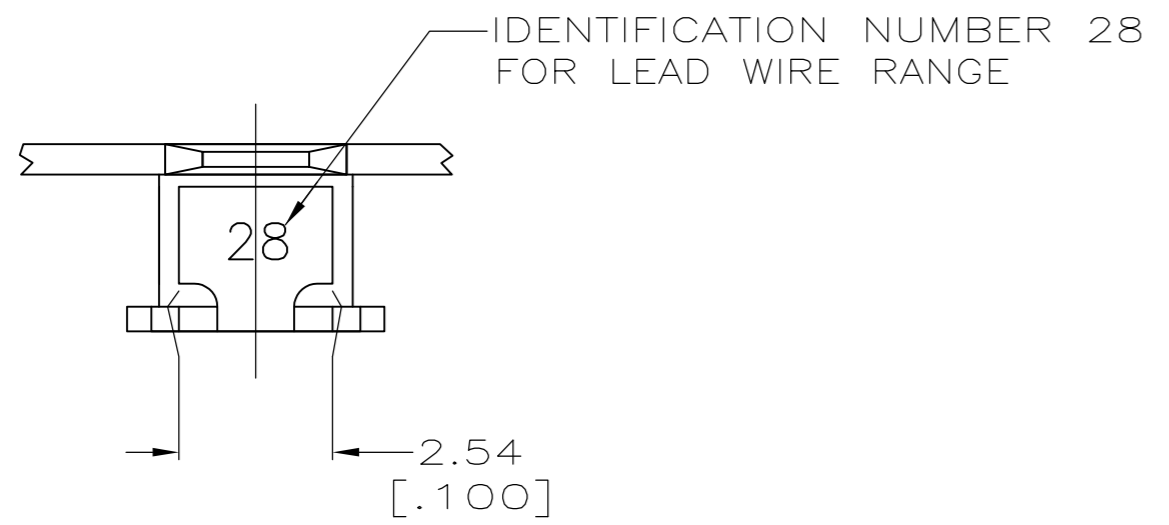
Address: A1208, Overseas Decoration Building, #122 Zhenhua RD., Futian, Shenzhen, China



THIS DRAWING IS UNPUBLISHED. RELEASED FOR PUBLICATION
 © COPYRIGHT BY TYCO ELECTRONICS CORPORATION. ALL RIGHTS RESERVED.

LOC		DIST		REVISIONS			
P	LTR	DESCRIPTION		DATE	DWN	APVD	
AF	50	E1		REVISED PER ECR-07-018614	10AUG07	HMR KR	

- 1 CONTINUOUS STRIP ON REELS WITH TERMINALS LOCATED ON 5.59±0.08 [.220±.003] CENTERS.
- 2 SLOT TERMINATES A SINGLE 0.8-0.9mm² [#18] AWG TIN PLATED SOLID, FUSED STRANDED OR STRANDED (7, 16, OR 19 STRANDS) WIRE WITH CROSS-LINKED POLYETHYLENE INSULATION, 2.26[.089] MAX DIA.
- 3 MTA PRODUCT SPEC IS 108-1051 MAG-MATE PRODUCT SPEC IS 108-2012
- 4 MTA APPLICATION SPEC IS 114-1020 MAG-MATE APPLICATION SPEC IS 114-2046
- 5 TERMINALS ARE STRESS RELIEVED
- 6 PRELIMINARY - NOT FOR PRODUCTION.



0.00127[.000050] MIN NICKEL	REVERSE	6	63974-4
0.00127[.000050] MIN NICKEL	STANDARD	6	63974-3
0.002032[.000080] MIN TIN	REVERSE	6	63974-2
0.002032[.000080] MIN TIN	STANDARD	6	63974-1
FINISH		REELING	PART NUMBER

THIS DRAWING IS A CONTROLLED DOCUMENT.		DWN R.GRZYBOWSKI 9APR97	Tyco Electronics Tyco Electronics Corporation Harrisburg, PA 17105-3608	
DIMENSIONS: mm [INCHES]		CHK M.S.FEHER 9APR97	NAME KURT A. RANDOLPH	
TOLERANCES UNLESS OTHERWISE SPECIFIED: 0 PLC ± - 1 PLC ± - 2 PLC ± 0.25[.010] 3 PLC ± - 4 PLC ± - ANGLES ± -		APVD KURT A. RANDOLPH 9APR97	PRODUCT SPEC 3	
MATERIAL H04 PRE-MILLED BRASS		FINISH SEE TABLE 5	APPLICATION SPEC 96-1039-111 4	RESTRICTED TO -
CUSTOMER DRAWING		WEIGHT -	SIZE A2	CAGE CODE 00779
		SCALE 8:1	DRAWING NO C=63974	SHEET 1 OF 1
			REV E1	