



Chipsmall Limited consists of a professional team with an average of over 10 year of expertise in the distribution of electronic components. Based in Hongkong, we have already established firm and mutual-benefit business relationships with customers from,Europe,America and south Asia,supplying obsolete and hard-to-find components to meet their specific needs.

With the principle of “Quality Parts,Customers Priority,Honest Operation,and Considerate Service”,our business mainly focus on the distribution of electronic components. Line cards we deal with include Microchip,ALPS,ROHM,Xilinx,Pulse,ON,Everlight and Freescale. Main products comprise IC,Modules,Potentiometer,IC Socket,Relay,Connector.Our parts cover such applications as commercial,industrial, and automotives areas.

We are looking forward to setting up business relationship with you and hope to provide you with the best service and solution. Let us make a better world for our industry!



Contact us

Tel: +86-755-8981 8866 Fax: +86-755-8427 6832

Email & Skype: info@chipsmall.com Web: www.chipsmall.com

Address: A1208, Overseas Decoration Building, #122 Zhenhua RD., Futian, Shenzhen, China



4

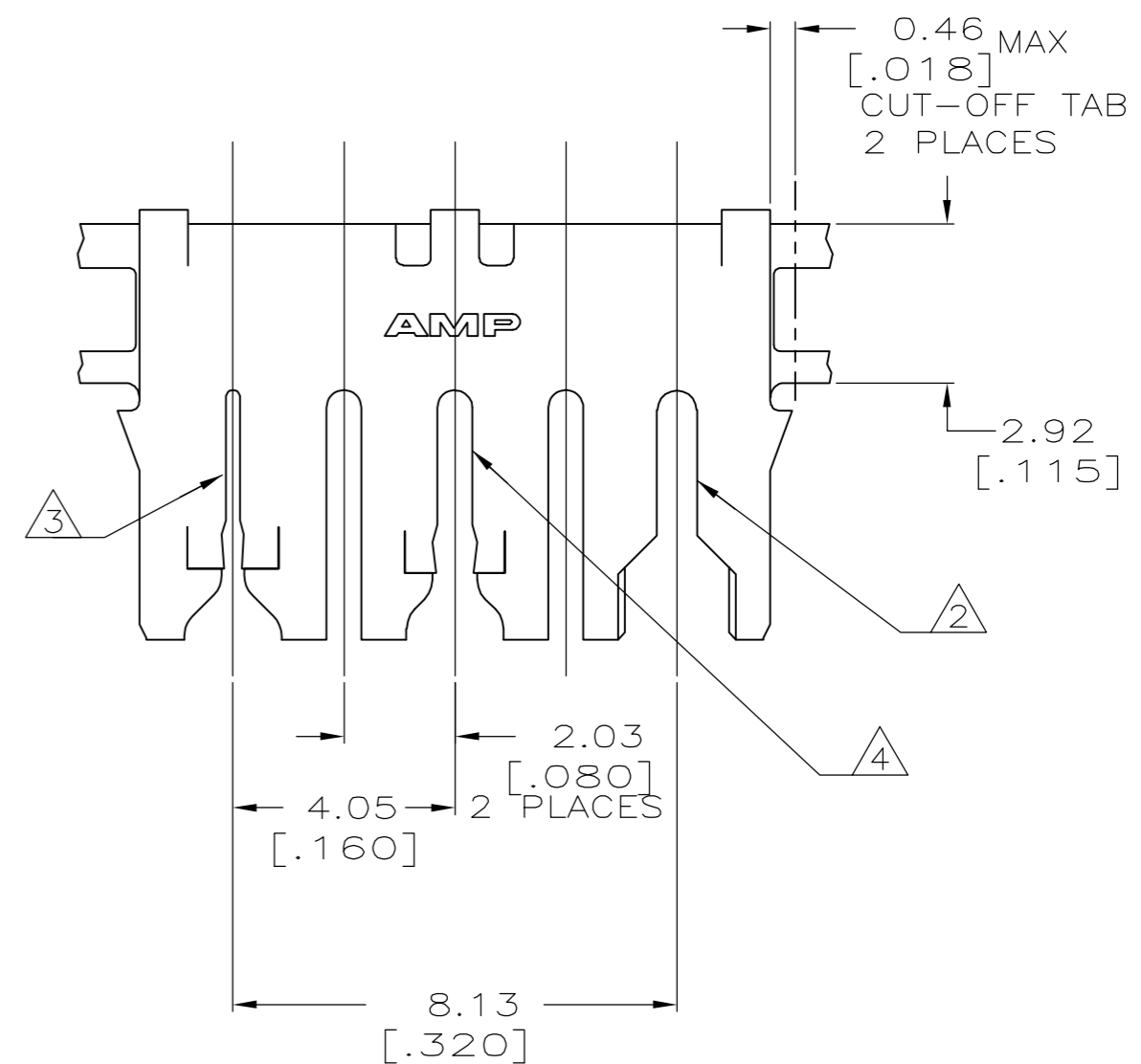
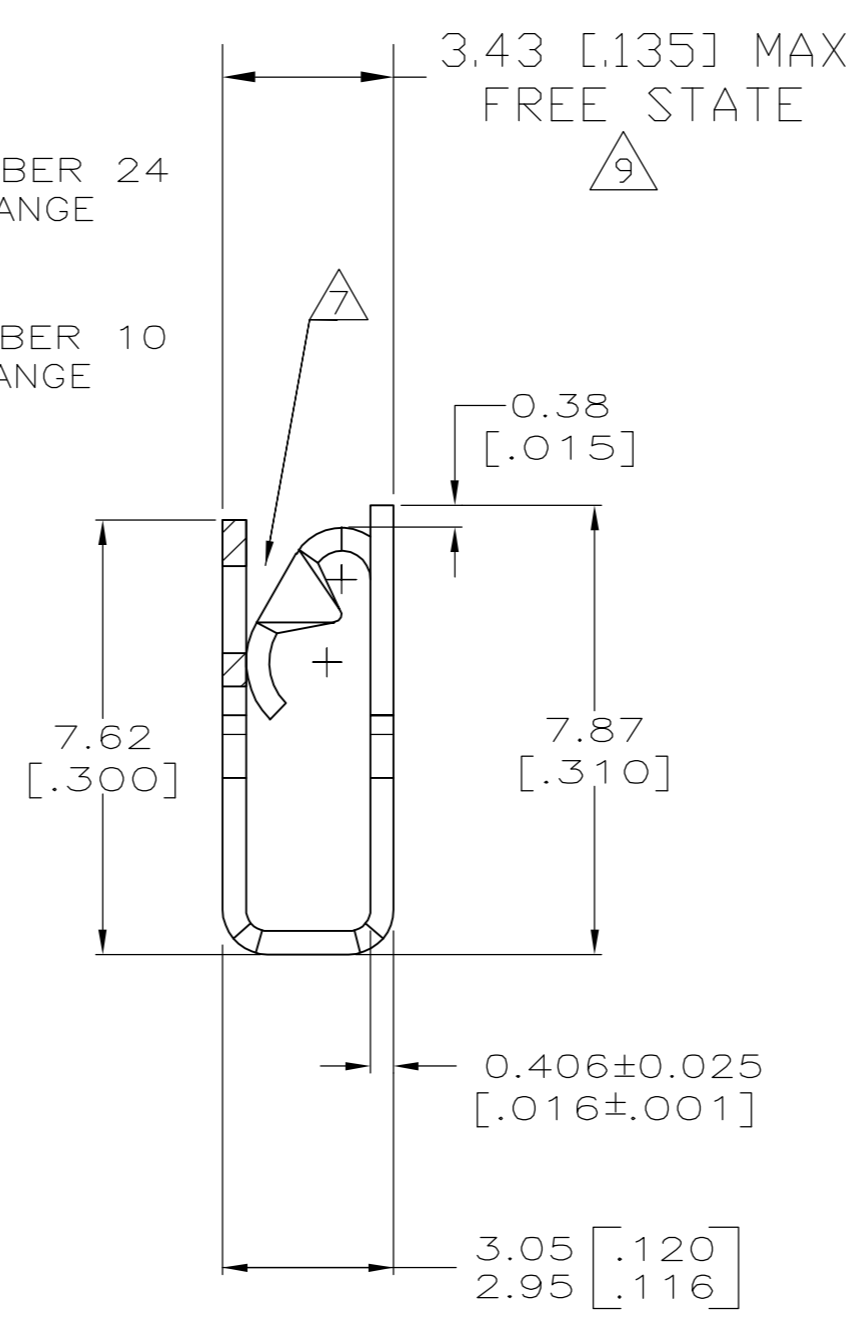
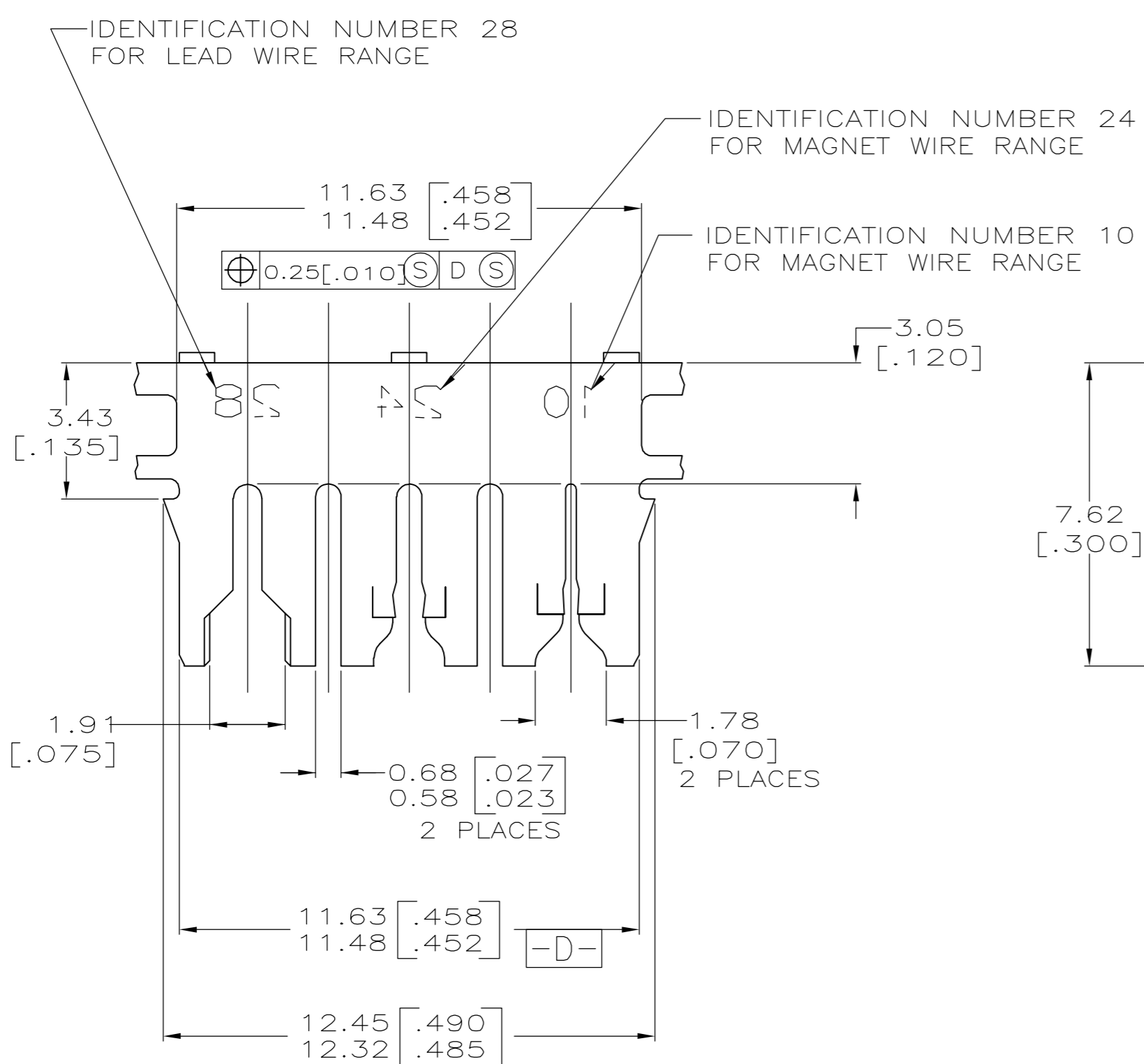
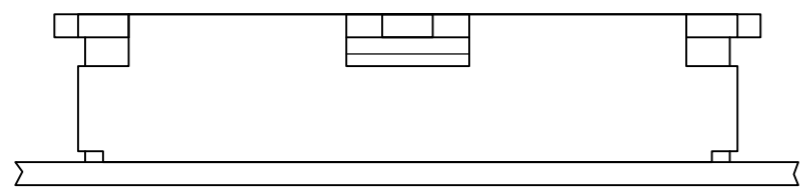
3

2

1

THIS DRAWING IS UNPUBLISHED. RELEASED FOR PUBLICATION .19
 © COPYRIGHT 19 BY AMP INCORPORATED. ALL RIGHTS RESERVED.

LOC		DIST		REVISIONS			DATE	DWN	APVD
AF		50		P	LTR	DESCRIPTION			
				D		REV PER 0G3A-0759-04	07OCT2004	RF	KR



- 1 CONTINUOUS STRIP ON REELS WITH TERMINALS LOCATED ON 13.97±0.08 [.550±.003] CENTERS.
- 2 SLOT TERMINATES A SINGLE 0.8-0.9mm² [#18] AWG TIN PLATED SOLID, FUSED STRANDED OR STRANDED (7, 16, OR 19 STRANDS) WIRE WITH PET INSULATION, 2.03[.080] MAX DIA.
- 3 SLOT TERMINATES A SINGLE MAGNET WIRE, OR TWO WIRES MAX OF THE SAME SIZE PER SLOT. COPPER RANGE: 0.36-0.57mm [#27-#23] AWG
- 4 SLOT TERMINATES A SINGLE MAGNET WIRE ONLY. COPPER RANGE: 0.91-1.15mm [#19-#17] AWG
- 5 MTA PRODUCT SPEC IS 108-1051
MAG-MATE PRODUCT SPEC IS 108-2012
- 6 MAG-MATE APPLICATION SPEC IS 114-2046
MTA APPLICATION SPEC IS 114-1020
- 7 MATES WITH STANDARD MAG-MATE STYLED POKE-IN TAB TERMINAL.
- 8 TERMINALS ARE STRESS RELIEVED
- 9 DIMENSION APPLIES WITH LEAF EDGE TOUGHING CARRIER SIDE OF BOX

63975-1
PART NUMBER

THIS DRAWING IS A CONTROLLED DOCUMENT.		DWN R.GRZYBOWSKI 14APR97	AMP Incorporated Harrisburg, PA 17105-3608	
DIMENSIONS: mm[INCHES]		CHK M.S.FEHER 14APR97	NAME KURT A. RANDOLPH	
TOLERANCES UNLESS OTHERWISE SPECIFIED:		APVD KURT A. RANDOLPH 14APR97	PRODUCT SPEC	
0 PLC ±-	1 PLC ±-	APPLICATION SPEC		
2 PLC ±0.25[.010]	3 PLC ±-	96-1039-143		
4 PLC ±-	ANGLES ±-	SIZE	CAGE CODE	DRAWING NO
MATERIAL 4M BRASS	FINISH 0.002032 [.000080] MIN TIN	WEIGHT -	A2 00779	63975
		CUSTOMER DRAWING		SCALE 8:1 SHEET 1 OF 1 REV D