



Chipsmall Limited consists of a professional team with an average of over 10 year of expertise in the distribution of electronic components. Based in Hongkong, we have already established firm and mutual-benefit business relationships with customers from,Europe,America and south Asia,supplying obsolete and hard-to-find components to meet their specific needs.

With the principle of “Quality Parts,Customers Priority,Honest Operation,and Considerate Service”,our business mainly focus on the distribution of electronic components. Line cards we deal with include Microchip,ALPS,ROHM,Xilinx,Pulse,ON,Everlight and Freescale. Main products comprise IC,Modules,Potentiometer,IC Socket,Relay,Connector.Our parts cover such applications as commercial,industrial, and automotives areas.

We are looking forward to setting up business relationship with you and hope to provide you with the best service and solution. Let us make a better world for our industry!



Contact us

Tel: +86-755-8981 8866 Fax: +86-755-8427 6832

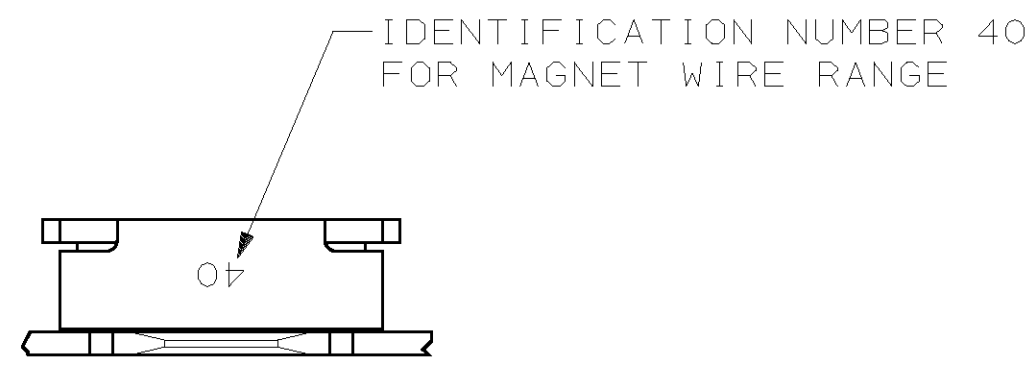
Email & Skype: info@chipsmall.com Web: www.chipsmall.com

Address: A1208, Overseas Decoration Building, #122 Zhenhua RD., Futian, Shenzhen, China

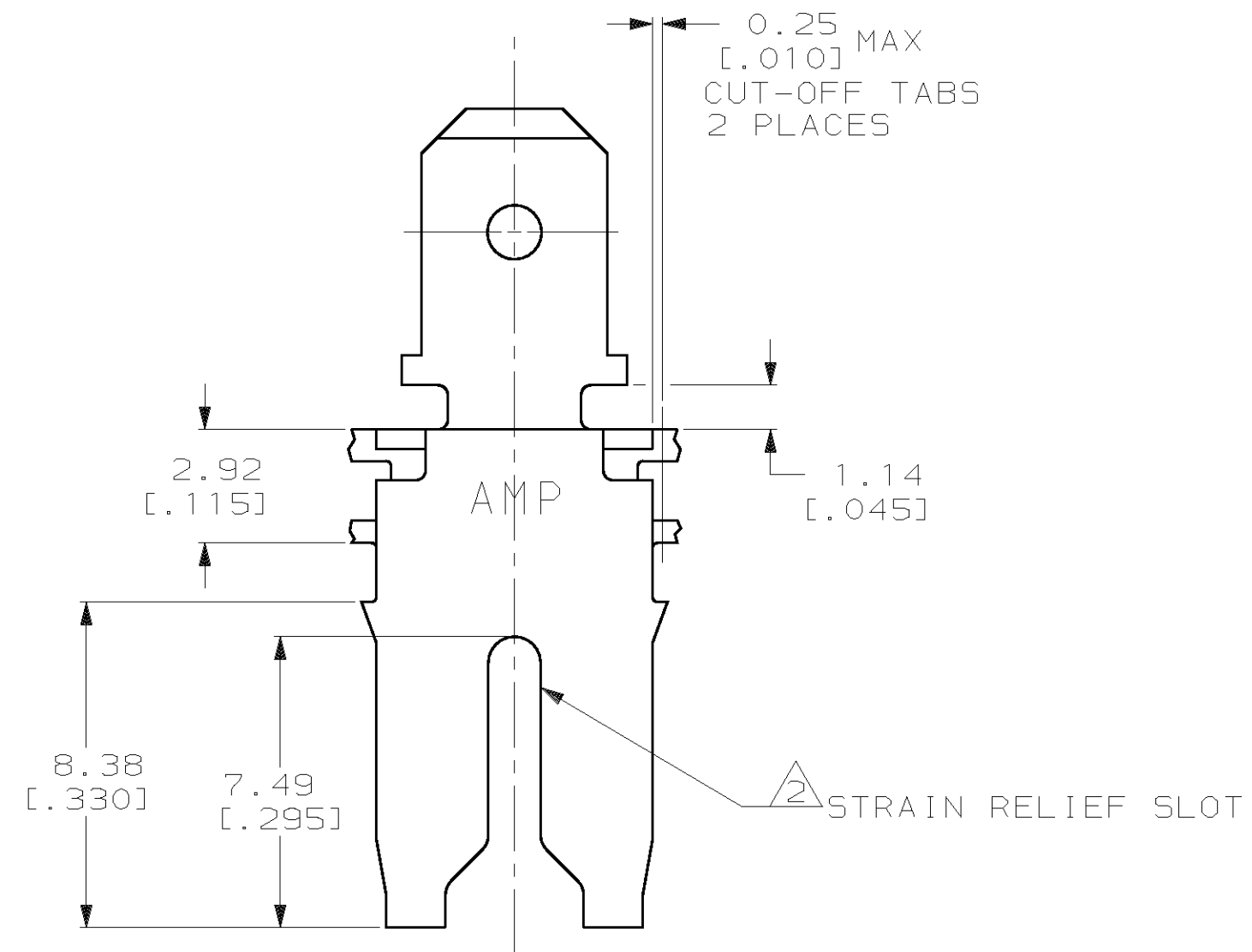
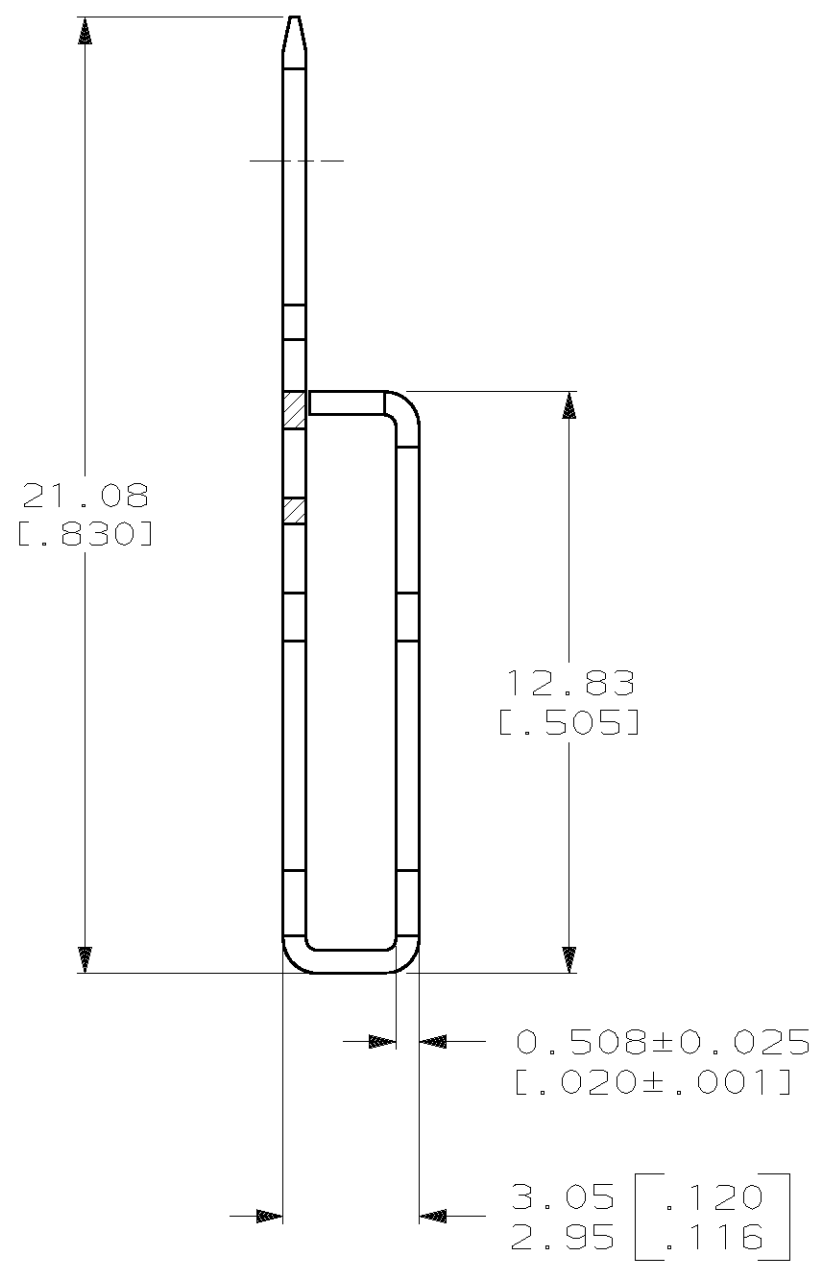
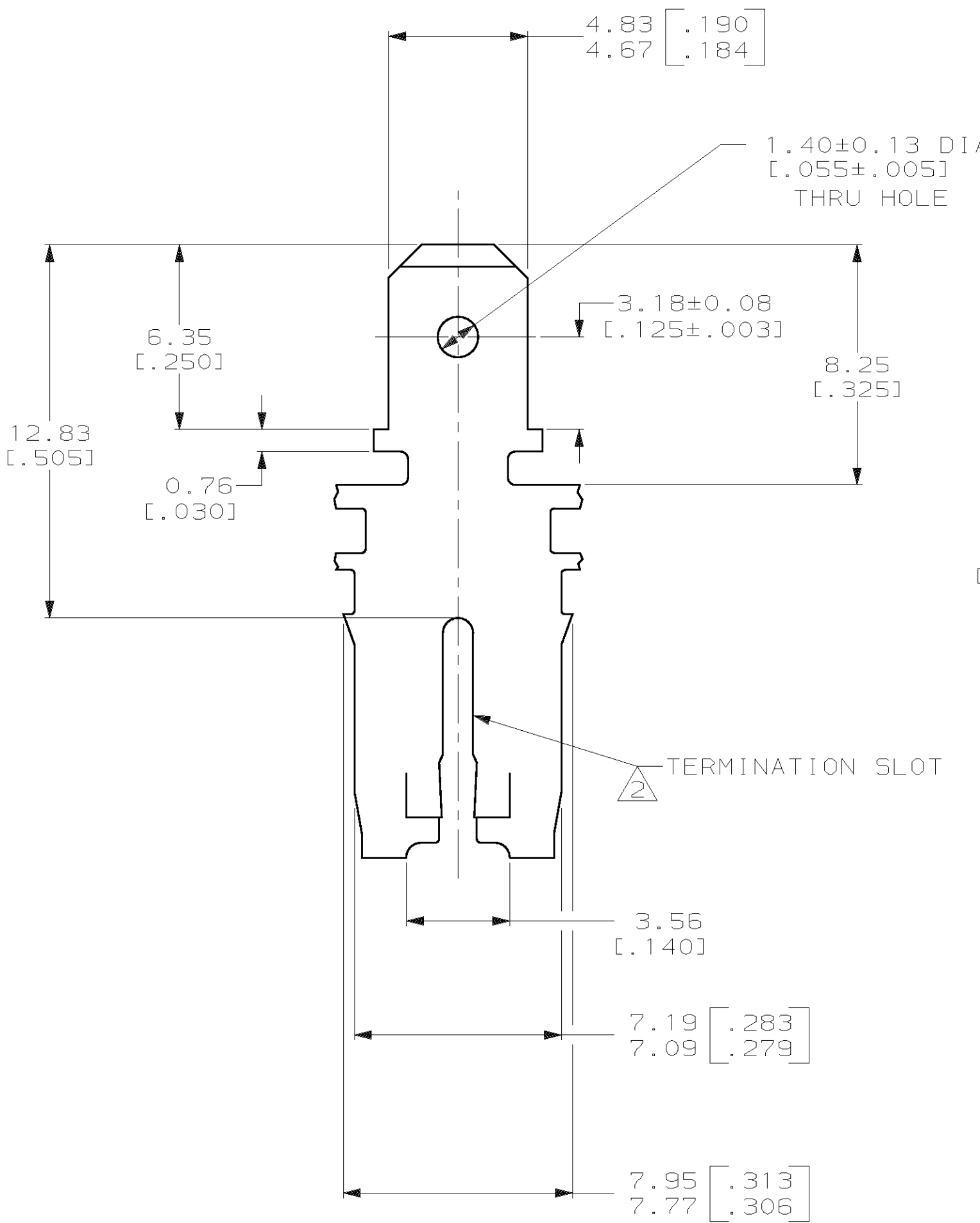


THIS DRAWING IS UNPUBLISHED. RELEASED FOR PUBLICATION
 (C) COPYRIGHT 19 BY AMP INCORPORATED. ALL RIGHTS RESERVED.

LOC		DIST		REVISIONS			
P	LTR	DESCRIPTION	DATE	DWN	APVD		
AF	50	A	REV PER 0L10-0368-97	8/29/97	JR	NN	



- CONTINUOUS STRIP ON REELS WITH TERMINALS LOCATED ON 8.38±0.08 [.330±.003] CENTERS.
- SLOT TERMINATES EITHER A SINGLE OR DOUBLE MAGNET WIRE OF THE SAME SIZE AND TYPE. COPPER RANGE: 1.29-1.45mm [#16-#15] AWG.
- AFTER INSERTION INTO PLASTIC HOLDER, TAB PORTION MUST BE BENT OVER 45° TO 90° OR POTTED-IN TO PREVENT PULL-OUT WHEN MATING RECEPTACLE IS DISCONNECTED.



PROPOSED DESIGN
 NOT RELEASED FOR
 PRODUCTION

63996-1
 PART NUMBER

THIS DRAWING IS A CONTROLLED DOCUMENT.		DWN	12JUN97	AMP Incorporated Harrisburg, PA 17105-3608							
DIMENSIONS: mm [INCHES]		CHK	18JUN97								
TOLERANCES UNLESS OTHERWISE SPECIFIED:		APVD	18JUN97								
0 PLC ±- 1 PLC ±- 2 PLC ±0.25 [.010] 3 PLC ±- 4 PLC ±- ANGLES ±-		NAME	NELSON E. NEFF								
MATERIAL	4M BRASS	PRODUCT SPEC	108-2053	SIZE	A2	CAGE CODE	00779	DRAWING NO	C-63996	RESTRICTED TO	
FINISH 0.002032 [.000080] MIN TIN PER MIL-T-10727		APPLICATION SPEC	114-2066	SCALE	6:1	SHEET	1	OF	1	REV	A
CUSTOMER DRAWING		WEIGHT	-	NOT the LATEST REVISION							