



Chipsmall Limited consists of a professional team with an average of over 10 year of expertise in the distribution of electronic components. Based in Hongkong, we have already established firm and mutual-benefit business relationships with customers from,Europe,America and south Asia,supplying obsolete and hard-to-find components to meet their specific needs.

With the principle of “Quality Parts,Customers Priority,Honest Operation,and Considerate Service”,our business mainly focus on the distribution of electronic components. Line cards we deal with include Microchip,ALPS,ROHM,Xilinx,Pulse,ON,Everlight and Freescale. Main products comprise IC,Modules,Potentiometer,IC Socket,Relay,Connector.Our parts cover such applications as commercial,industrial, and automotives areas.

We are looking forward to setting up business relationship with you and hope to provide you with the best service and solution. Let us make a better world for our industry!



Contact us

Tel: +86-755-8981 8866 Fax: +86-755-8427 6832

Email & Skype: info@chipsmall.com Web: www.chipsmall.com

Address: A1208, Overseas Decoration Building, #122 Zhenhua RD., Futian, Shenzhen, China



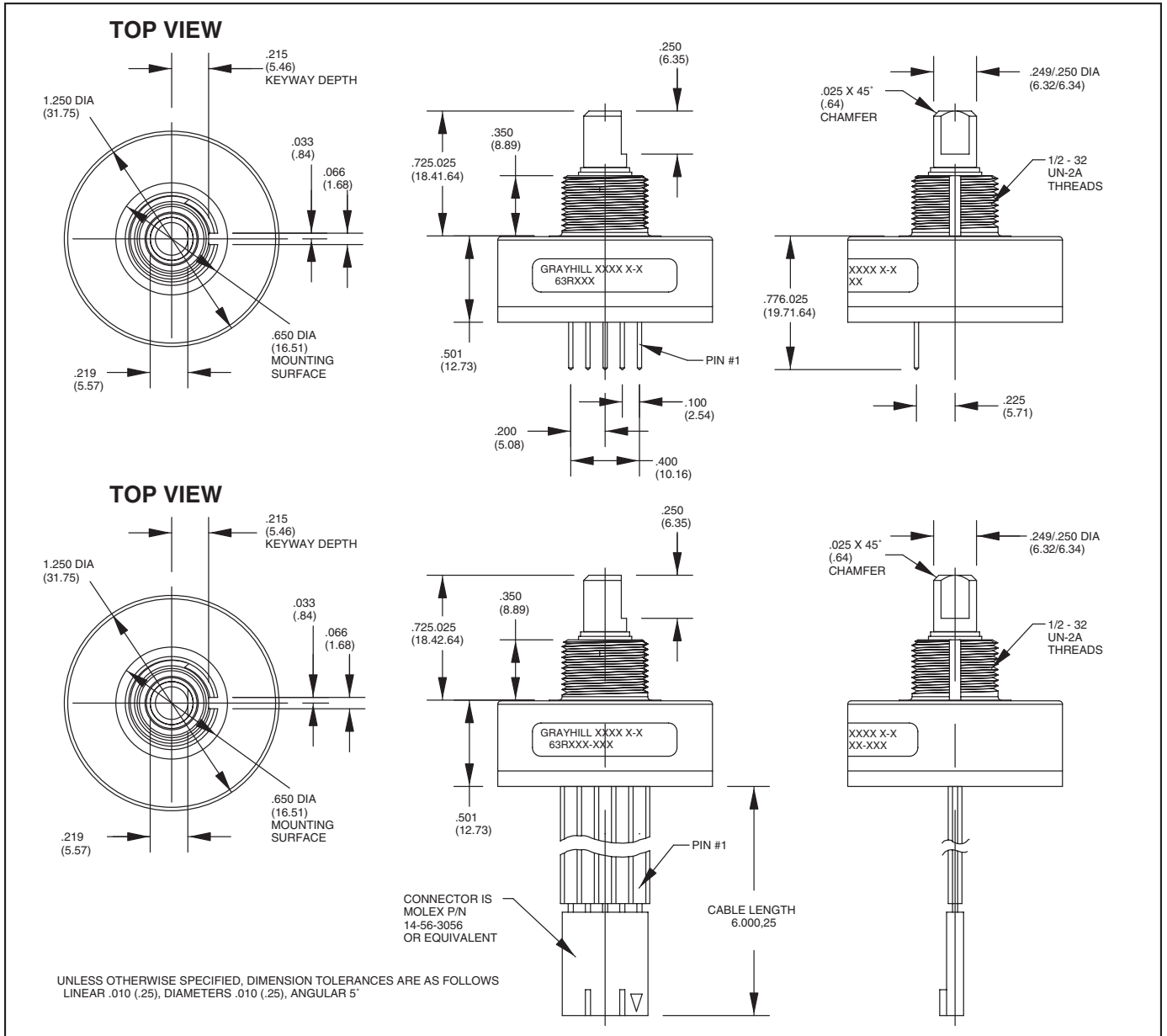
SERIES 63R
High Resolution, Ball Bearing,
5-pin (Polarized Connection)

FEATURES

- 25, 32, 50, 64, 100, 128 and 256 Cycles per Revolution Available
- Sealed Version Available
- Rugged Construction
- Cable or Pin Versions
- 300 Million Rotational Cycles
- 5000 RPM Shaft Rotation
- Index Pulse Available

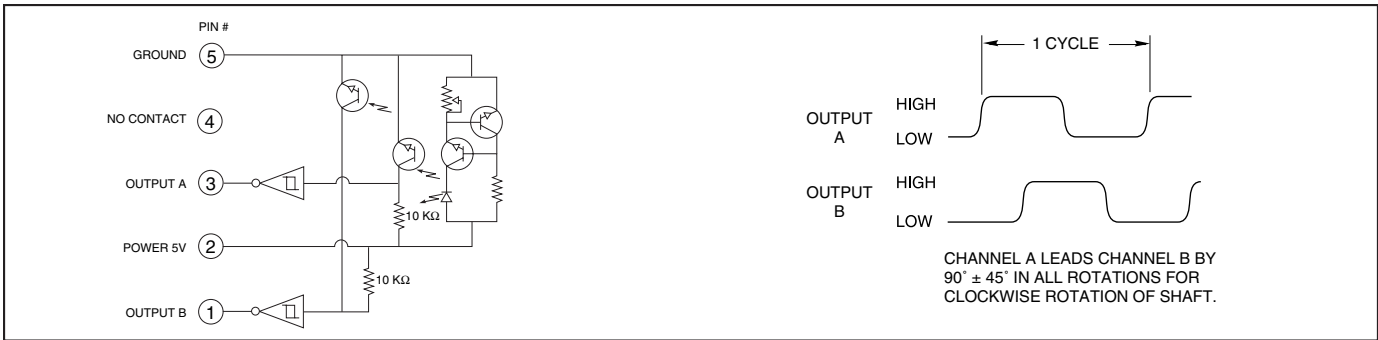


DIMENSIONS In Inches (and millimeters)



Optical and Mechanical Encoders

CIRCUITRY AND WAVEFORM: Standard Quadrature 2-Bit Code



SPECIFICATIONS

Electrical Ratings

Operating Voltage: $5 \pm .25$ Vdc

Supply Current: 30 mA maximum at 5 Vdc

Logic Output Characteristics:

Output Type: Open collector with integrated Schmitt Trigger and 10 KW pull-up resistor

Maximum Sink Current: 16 mA at .40 volts

Power Consumption: 150 mW maximum

Optical Rise Time: 500 nS typical

Optical Fall Time: 14 nS typical

Mechanical Ratings

Mechanical Life: 300 million revolutions

Time Life: Guaranteed for 10 years of continuous operation (calculated from emitter degradation data)

Mounting Torque: 20 in-lbs maximum

Terminal Strength: 5 lbs terminal pull-out force minimum

Solderability: 95% free of pin holes and voids

Externally Applied Shaft Force:

Axial: 15 lbs maximum; Radial: 15 lbs maximum

Operating Torque: 0.5 in-oz maximum (no detents) for unsealed versions

Environmental Ratings

Operating Temperature Range: -40°C to 85°C

Storage Temperature Range: -55°C to 100°C

Relative Humidity: 90-95% at 40°C for 96 hours

Vibration Resistance: Harmonic motion with amplitude of 15g, within a varied 10 to 2000 Hz frequency for 12 hours per MIL-STD-202, Method 204

Shock Resistance: Test 1: 100g for 6 mS, half-sine wave with velocity change of 12.3 ft/s. Test 2: 100g for 6 mS, sawtooth wave with velocity change of 9.7 ft/s.

Materials and Finishes

Bushing: Zinc diecast

Housing: Zytel FR-50

Shaft: Stainless steel insert molded into nylon rotor support

Code Rotor and Aperture: Chemically etched stainless steel/electroformed nickel

Printed Circuit Board: NEMA Grade FR-4.

Five microinches minimum gold over 100

microinches minimum nickel over copper

Optical Barrier: Polyphenylene sulfide, 94 V-0

Backplate: Polyester

Header: Phosphor bronze, 200 microinches tin over 50 microinches nickel (pin version only)

Infrared Emitter: Gallium aluminum arsenide

Photo IC: Planar silicon

Retaining Ring: Stainless steel

Cable: 26 AWG, stranded/tinned wire, PVC coated on .100 (2,54) centers (cable version only)

Connector: Glass-filled PCT, UL94V-0

Bearing Subassembly

Bearing: NSK ABEC 5 (stainless steel)

Preload Collar: 303 stainless steel

Spacer: 303 stainless steel

Bellville Spring: spring steel (stainless)

ORDERING INFORMATION

