



Chipsmall Limited consists of a professional team with an average of over 10 year of expertise in the distribution of electronic components. Based in Hongkong, we have already established firm and mutual-benefit business relationships with customers from,Europe,America and south Asia,supplying obsolete and hard-to-find components to meet their specific needs.

With the principle of “Quality Parts,Customers Priority,Honest Operation,and Considerate Service”,our business mainly focus on the distribution of electronic components. Line cards we deal with include Microchip,ALPS,ROHM,Xilinx,Pulse,ON,Everlight and Freescale. Main products comprise IC,Modules,Potentiometer,IC Socket,Relay,Connector.Our parts cover such applications as commercial,industrial, and automotives areas.

We are looking forward to setting up business relationship with you and hope to provide you with the best service and solution. Let us make a better world for our industry!



Contact us

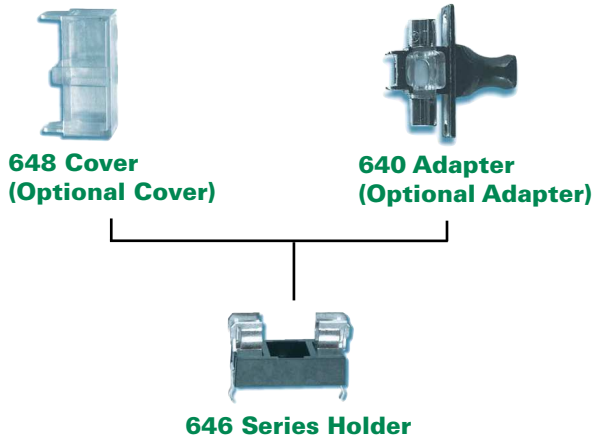
Tel: +86-755-8981 8866 Fax: +86-755-8427 6832

Email & Skype: info@chipsmall.com Web: www.chipsmall.com

Address: A1208, Overseas Decoration Building, #122 Zhenhua RD., Futian, Shenzhen, China



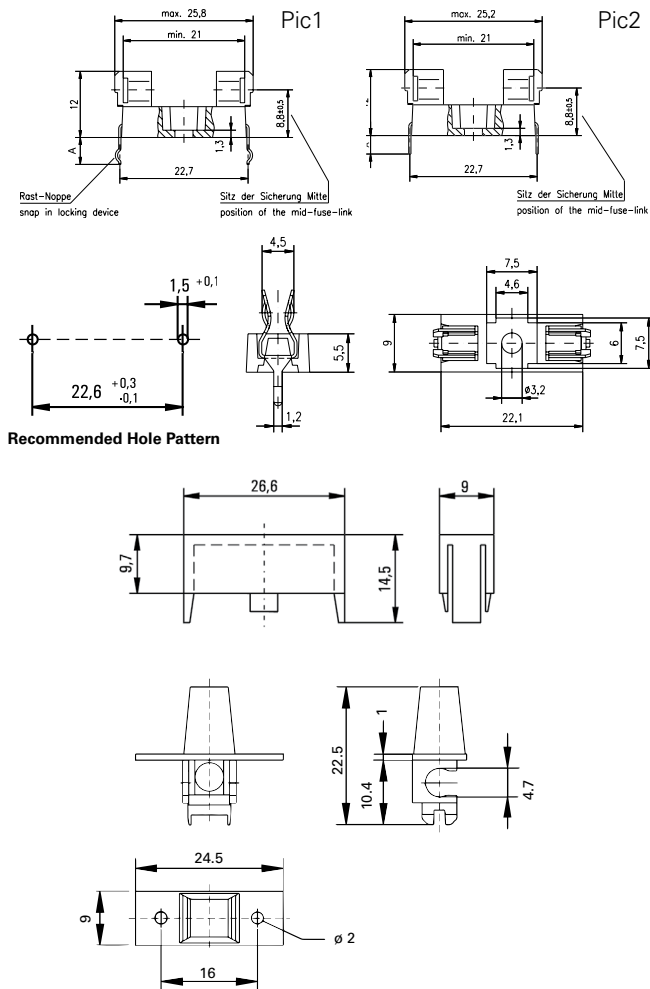
646 Series Molded Base Fuse Block For 5x20mm Fuses



Product Characteristics

Compatible Fuse Sizes	For 5x20mm Fuses
Materials	Holder: Black Thermoplastic, UL94 V-0 Polyamide PA 6.6
	Cover: Transparent Thermoplastic, UL94 V-0, Polycarbonate PC
	Adapter: Polyester PBT, UL94 V-0
	Metal Parts: Tin plated Copper alloy
Electrical Data (23°C)	Rated Voltage: 250V
	Max. Current/Power: 6.3A/2.5W 5A/1W (with No. 648) 6.3A/1.6W (with No. 640)
Mounting	Solder pins 0.5mmx1.2mm Ø 3mm screw hole may be used optionally
Minimum Cross Section	Conducting path - 0.2mm ²
Unit Weight	1.6g (Holder), 1.0g (Cover), 1.0g (Adapter)

Dimensions



Ordering Information

Ordering PN	Description	Pic	Meas. "A"	for PCB-thickness
646 0000 1003	Fuse Block	1	5mm	3mm
646 0000 1223	Fuse Block	1	3.2mm	1.5mm
646 0000 1233	Fuse Block	2	3.3mm	1.5mm

Ordering PN	Description	Fuse PN	Block PN
646 1200 7113	Fuse & Block Assy.	0215002.MXP	6460001233
646 1200 7123	Fuse & Block Assy.	0219002.MXAP	
646 1400 7143	Fuse & Block Assy.	0218004.MXP	
646 1400 7183	Fuse & Block Assy.	0215004.MXP	

Ordering PN	Description
640 0000 1003	Adapter - Black
640 0000 1403	Adapter - Brown
640 0000 1503	Adapter - White
640 0000 1603	Adapter - Yellow
640 0000 1703	Adapter - Green
640 0000 1903	Adapter - Blue

Additional Information



Datasheet



Resources



Samples

Contact Littelfuse for an auto-insertable fuse, holder and adapter assembly.
Note: 1.00 means the number one with two decimal places. 1,000 means the number one thousand.