



Chipsmall Limited consists of a professional team with an average of over 10 year of expertise in the distribution of electronic components. Based in Hongkong, we have already established firm and mutual-benefit business relationships with customers from,Europe,America and south Asia,supplying obsolete and hard-to-find components to meet their specific needs.

With the principle of “Quality Parts,Customers Priority,Honest Operation,and Considerate Service”,our business mainly focus on the distribution of electronic components. Line cards we deal with include Microchip,ALPS,ROHM,Xilinx,Pulse,ON,Everlight and Freescale. Main products comprise IC,Modules,Potentiometer,IC Socket,Relay,Connector.Our parts cover such applications as commercial,industrial, and automotives areas.

We are looking forward to setting up business relationship with you and hope to provide you with the best service and solution. Let us make a better world for our industry!



## Contact us

Tel: +86-755-8981 8866 Fax: +86-755-8427 6832

Email & Skype: info@chipsmall.com Web: www.chipsmall.com

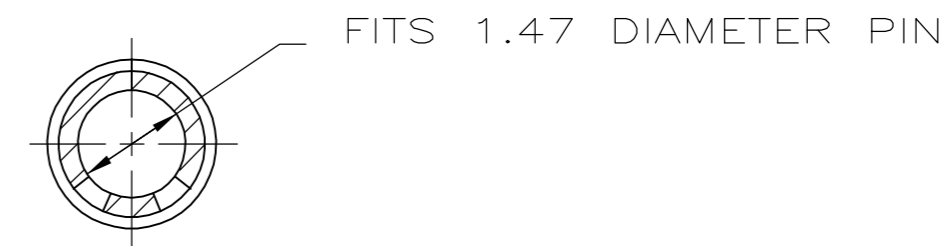
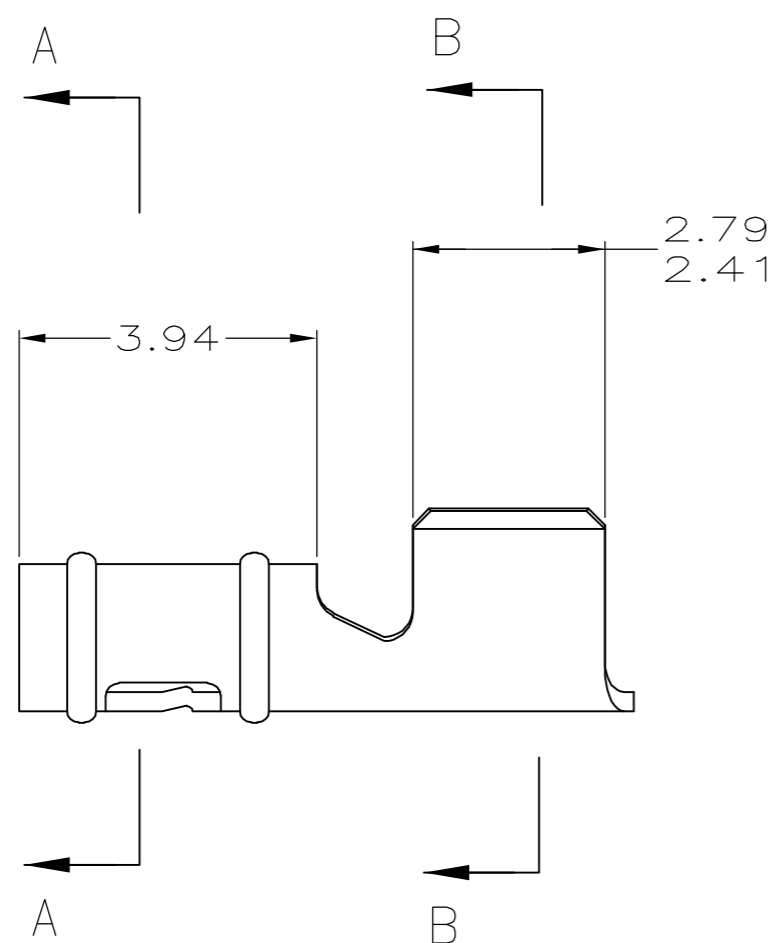
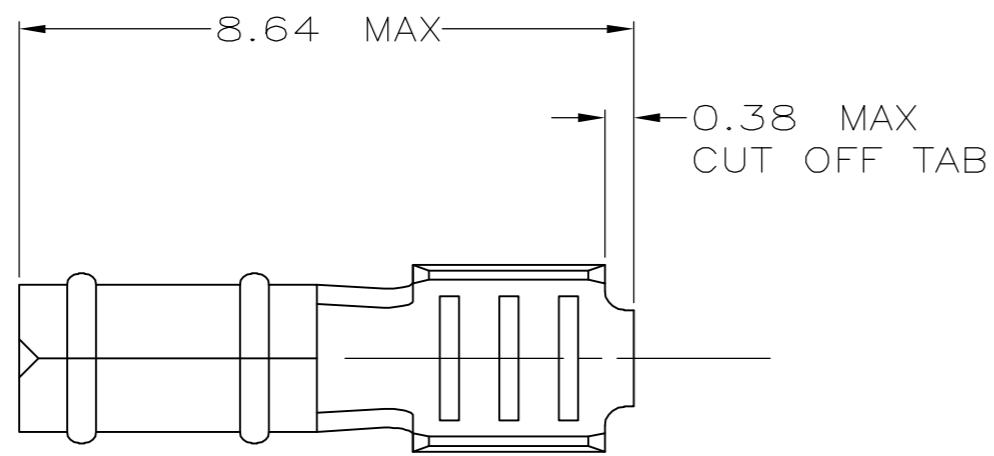
Address: A1208, Overseas Decoration Building, #122 Zhenhua RD., Futian, Shenzhen, China



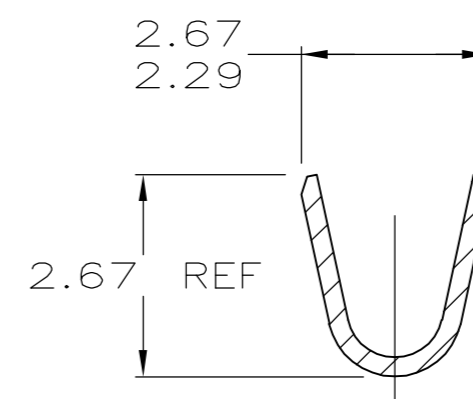
THIS DRAWING IS UNPUBLISHED. RELEASED FOR PUBLICATION  
 © COPYRIGHT BY TYCO ELECTRONICS CORPORATION. ALL RIGHTS RESERVED.

LOC	DIST	REVISIONS			
P	LTR	DESCRIPTION	DATE	DWN	APVD
CM	0	E	REV PER ECO-07-004858	02MAR07	KW DB

- 1. 0.00203 MIN MATTE TIN PLATING OVER ALL.
- 2. WIRE RANGE: 0.3 - 1 MM<sup>2</sup> (22 - 17 AWG)



SECTION A-A

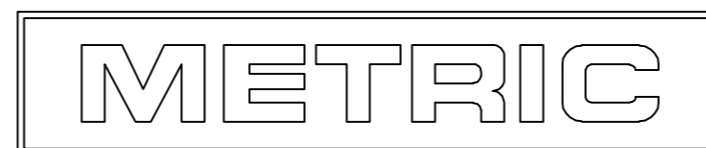


SECTION B-B

$\Delta$	0.25 BE CU	640024-1
FINISH	MATERIAL	PART NUMBER

0.38	.015	2.67	.105	-	-
0.25	.010	2.41	.095	8.64	.340
0.13	.005	2.29	.090	3.94	.155
0.00203	.000080	1.47	.058	2.79	.110
MM	IN	MM	IN	MM	IN

CONVERSION TABLE



THIS DRAWING IS A CONTROLLED DOCUMENT.		DWN T. BECK 6-10-97	Tyco Electronics Corporation Harrisburg, PA 17105-3608	
DIMENSIONS: mm		CHK R. SWING 6-10-97		
TOLERANCES UNLESS OTHERWISE SPECIFIED:		APVD A. BEDDICK 6-17-97	NAME RECEPTACLE, .058 DIAMETER, 22-17 AWG, LOOSE PIECE, P.C. CONTACT	
0 PLC ± -		PRODUCT SPEC 108-1025	SIZE A2	CAGE CODE 00779
1 PLC ± -		APPLICATION SPEC 114-1008	DRAWING NO C=640024	RESTRICTED TO -
2 PLC ± 0.13		WEIGHT -	SCALE 10:1	SHEET 1 of 1
3 PLC ± -		CUSTOMER DRAWING	REV E	
4 PLC ± -				
ANGLES ± -				
FINISH SEE TABLE				

6400240024