



Chipsmall Limited consists of a professional team with an average of over 10 year of expertise in the distribution of electronic components. Based in Hongkong, we have already established firm and mutual-benefit business relationships with customers from,Europe,America and south Asia,supplying obsolete and hard-to-find components to meet their specific needs.

With the principle of "Quality Parts,Customers Priority,Honest Operation,and Considerate Service",our business mainly focus on the distribution of electronic components. Line cards we deal with include Microchip,ALPS,ROHM,Xilinx,Pulse,ON,Everlight and Freescale. Main products comprise IC,Modules,Potentiometer,IC Socket,Relay,Connector.Our parts cover such applications as commercial,industrial, and automotives areas.

We are looking forward to setting up business relationship with you and hope to provide you with the best service and solution. Let us make a better world for our industry!



## Contact us

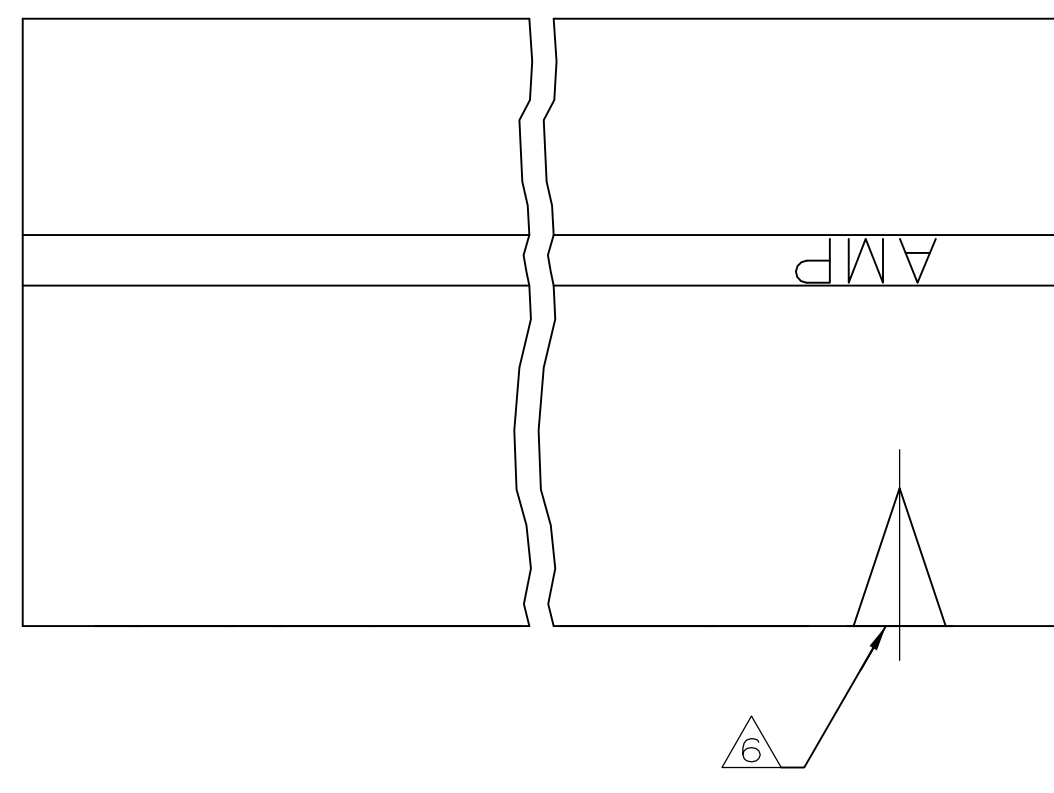
Tel: +86-755-8981 8866 Fax: +86-755-8427 6832

Email & Skype: info@chipsmall.com Web: www.chipsmall.com

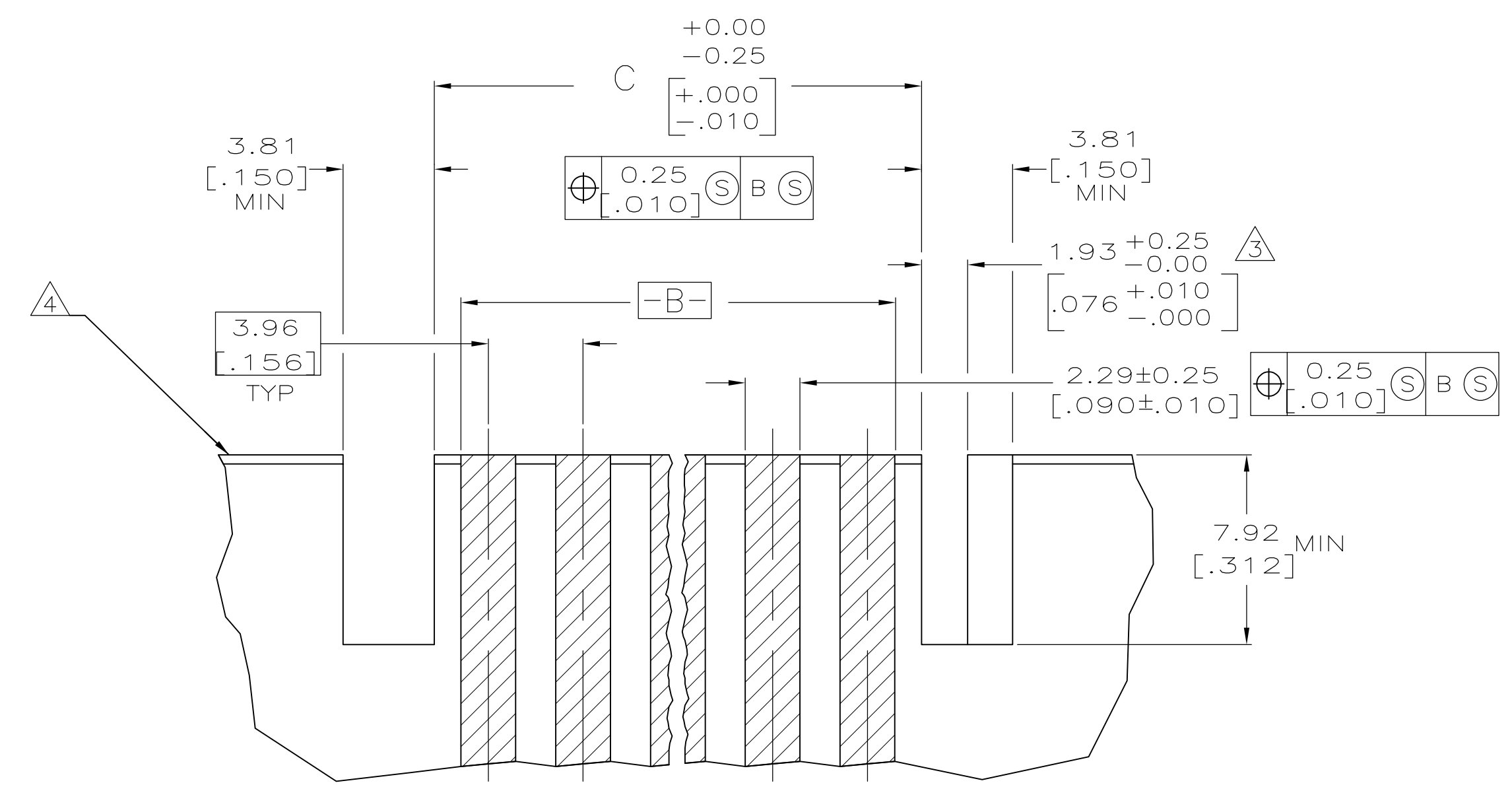
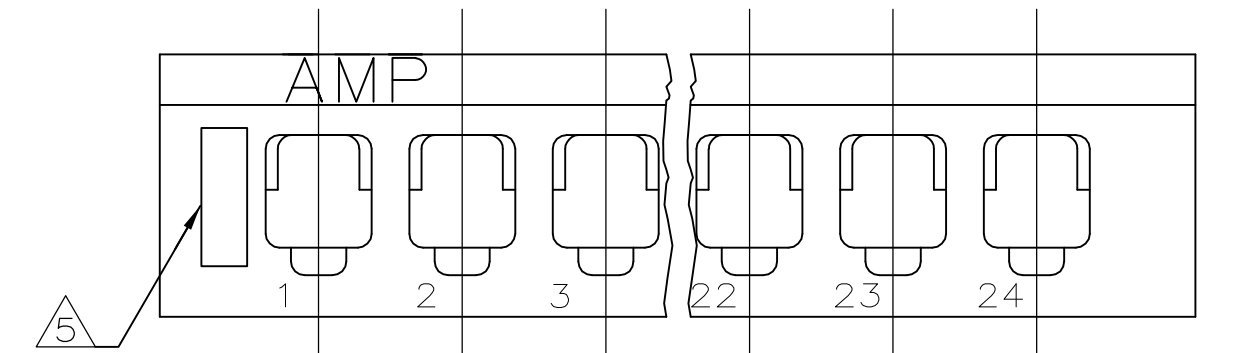
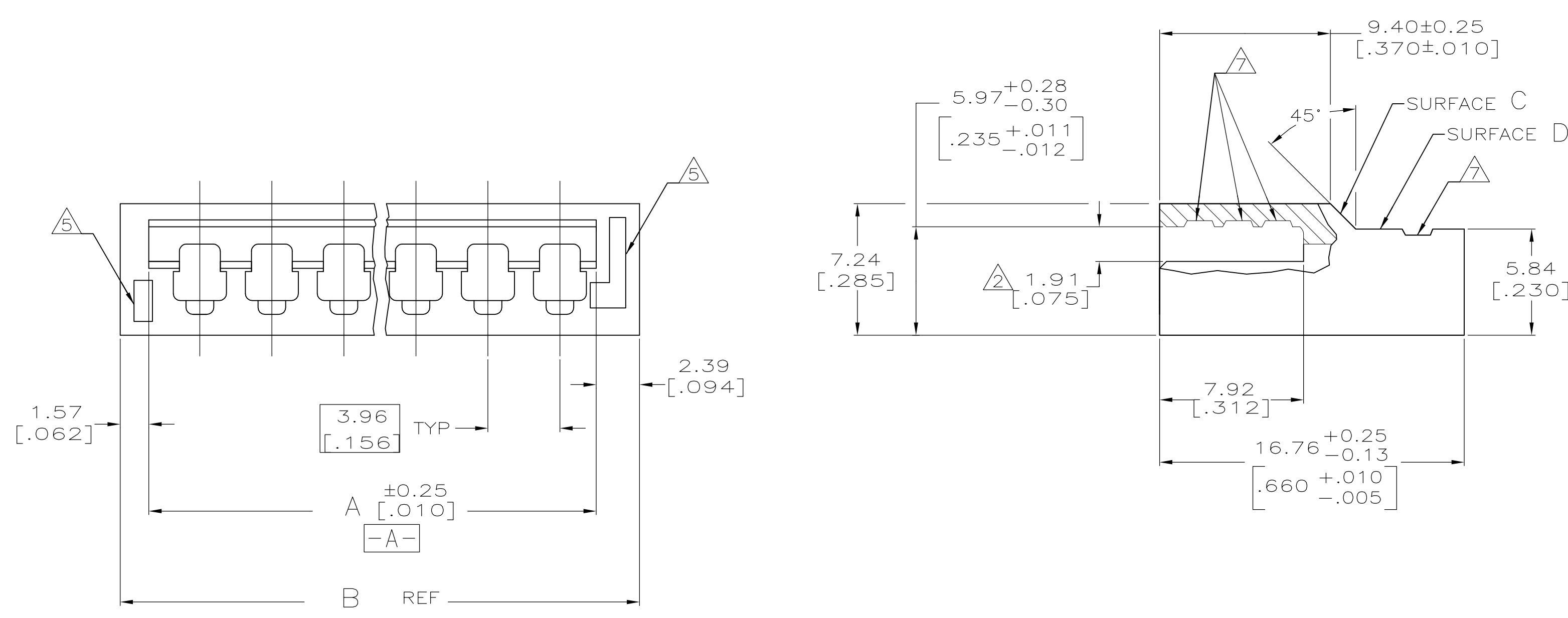
Address: A1208, Overseas Decoration Building, #122 Zhenhua RD., Futian, Shenzhen, China



LOC		DIST		REVISIONS			
P	LT	TR	DESCRIPTION	DATE	OWN	APPD	
U2			REVISED PER ECO-11-004587	11MAR11	RK	HMR	



1. HOUSING ACCEPTS CONTACTS P/N 61668 OR 350194.
2. MEASURED AT ENDS OF CARD SLOT.
3. RECOMMENDED CUTOUT FOR HOUSING POLARIZATION. WHERE REQUIRED.
4. 0.38 [.015] MIN X 45° CHAMFER RECOMMENDED ON BOTH SIDES OF BOARD.
5. CORING OPTIONAL.
6. OPTIONAL FROSTED SURFACE LOCATED ON  $\downarrow$  OF CIRCUIT NO. 1; ANOTHER OPTION IS A RECESSED TRIANGLE ON SURFACE C WITH A FROSTED AMP LOGO ON SURFACE D.
7. OPTIONAL PULL GROOVE AS REQUIRED FOR MOLDING.
8. DIMENSIONS IN BRACKETS ARE IN INCHES.
9. OBSOLETE PARTS: OBSOLETE CIS STREAMLINING PER D.RENAUD/D.SINIS



RECOMMENDED LAYOUT PATTERN FOR 1.575 ± 0.191 [.0620 ± 0.0075] THICK P.C. BOARD INCLUDING CIRCUITRY

	C	B	A	NO OF CIRCUITS	PART NO.
9 OBSOLETE	87.83[3.458]	92.08[3.625]	88.11[3.469]	22	-2-640136-2-
	71.96[2.833]	76.20[3.000]	72.24[2.844]	18	1-640136-8
	64.01[2.520]	68.25[2.687]	64.29[2.531]	16	1-640136-6
	60.05[2.364]	64.29[2.531]	60.33[2.375]	15	1-640136-5
	48.13[1.895]	52.37[2.062]	48.41[1.906]	12	1-640136-2
	44.17[1.739]	48.41[1.906]	44.45[1.750]	11	1-640136-1
	40.21[1.583]	44.45[1.750]	40.49[1.594]	10	1-640136-0
	36.25[1.427]	40.49[1.594]	36.53[1.438]	9	640136-9
	32.26[1.270]	36.50[1.437]	32.54[1.281]	8	640136-8
OBSOLETE	28.30[1.114]	32.54[1.281]	28.58[1.125]	7	-640136-7-
	24.33[.958]	28.58[1.125]	24.61[.969]	6	640136-6
9 OBSOLETE	20.37[.802]	24.61[.969]	20.65[.813]	5	-640136-5-
	16.38[.645]	20.62[.812]	16.66[.656]	4	640136-4
	8.46[.333]	12.70[.500]	8.74[.344]	2	640136-2

THIS DRAWING IS A CONTROLLED DOCUMENT.

DIMENSIONS: MM [INCHES]	TOLERANCES UNLESS OTHERWISE SPECIFIED: 0 PLC ± - 1 PLC ± - 2 PLC ± - 3 PLC ± 0.13 [.005] 4 PLC ± ± - ANGLES ± ± -	OWN: K. SALMON 2-20-92 DR: R. SWING 2-20-92 APVD: W. LONG 4-24-92 NAME: PRODUCT SPEC APPLICATION SPEC WEIGHT: - FINISH: -	DATE: 2-20-92 DRAWING NO: 100779 SCALE: 5:1 SHEET: 1 OF 1 REV: U2
----------------------------	---	---	---

**STE** TE Connectivity  
HOUSING, EDGE CONNECTOR, BIFURCATED LEAF

MATERIAL: POLYESTER, UL94V-0 (NATURAL)  
FINISH: -  
CUSTOMER DRAWING