



Chipsmall Limited consists of a professional team with an average of over 10 year of expertise in the distribution of electronic components. Based in Hongkong, we have already established firm and mutual-benefit business relationships with customers from,Europe,America and south Asia,supplying obsolete and hard-to-find components to meet their specific needs.

With the principle of "Quality Parts,Customers Priority,Honest Operation,and Considerate Service",our business mainly focus on the distribution of electronic components. Line cards we deal with include Microchip,ALPS,ROHM,Xilinx,Pulse,ON,Everlight and Freescale. Main products comprise IC,Modules,Potentiometer,IC Socket,Relay,Connector.Our parts cover such applications as commercial,industrial, and automotives areas.

We are looking forward to setting up business relationship with you and hope to provide you with the best service and solution. Let us make a better world for our industry!



Contact us

Tel: +86-755-8981 8866 Fax: +86-755-8427 6832

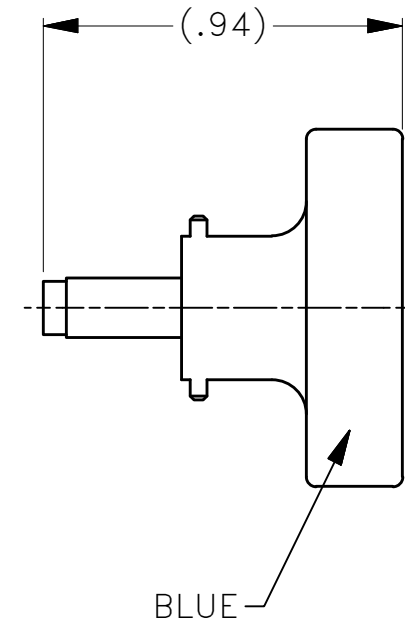
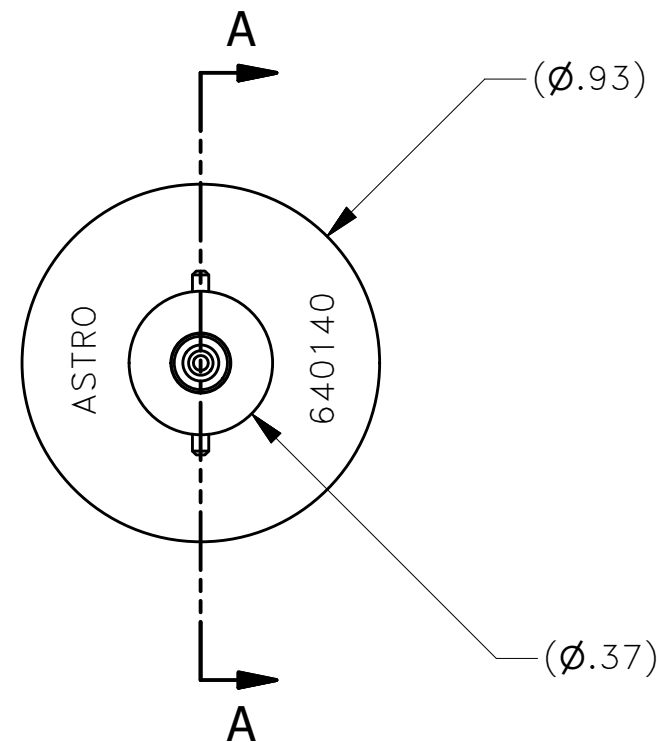
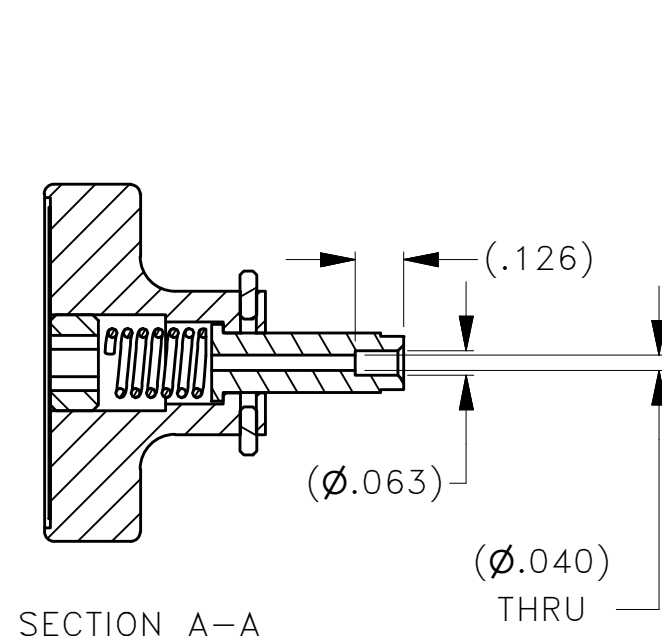
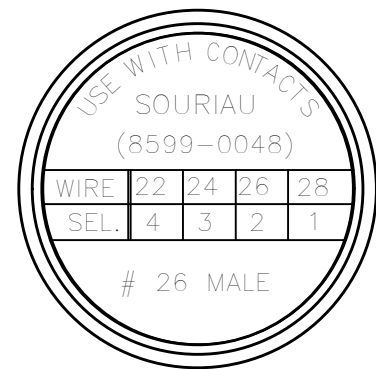
Email & Skype: info@chipsmall.com Web: www.chipsmall.com

Address: A1208, Overseas Decoration Building, #122 Zhenhua RD., Futian, Shenzhen, China



REVISIONS				
REV SYM	ECO NUMBER	DESCRIPTION	BY DATE	APP'D DATE
A		NEW RELEASE	DYO 10-22-14	ADI.G 10-22-14

**UNCONTROLLED DOCUMENT
WILL NOT BE UPDATED**



- NOTES:
 1. THIS IS AN ICAD DRAWING. DO NOT CHANGE MANUALLY.
 2. USE WITH M22520/2-01 TOOL FRAME.

THESE DRAWINGS, SPECIFICATIONS OR OTHER DATA ARE THE PROPERTY OF ASTRO TOOL CORP. AND MUST BE RETURNED UPON REQUEST. THEY CONTAIN INFORMATION OWNED AND/OR DEVELOPED BY ASTRO AT ITS OWN PRIVATE EXPENSE AND MAY NOT BE USED, DUPLICATED OR DISCLOSED TO OTHERS, IN WHOLE OR IN PART FOR DESIGN, MANUFACTURE, OR PROCUREMENT WITHOUT THE WRITTEN PERMISSION OF ASTRO TOOL CORP. EACH AND EVERY TIME. CREATED FROM AN INVENTOR MODEL. CHANGES MUST BE REFLECTED IN THE 3D PART DO NOT SCALE DRAWING	MATERIAL	---		ITEM	PART NO.	QTY.	DESCRIPTION/REMARKS
	HEAT TREAT	N/A		DRN.	DYO	DATE	10-22-14
	FINISH	N/A		CHK'D.	ADI.G	DATE	10-22-14
	TOLERANCE:		UNLESS OTHERWISE SPECIFIED FRACTIONS ± 1/32 ANGLES ± 1° DECIMAL INCHES: .X ± .030 .XX ± .010 .XXX ± .005 .XXXX ± .0005 REMOVE BURRS AND BREAK SHARP EDGES .005-.015		APP'D.	DATE	APP'D.
				ASTRO TOOL CORP 21615 S.W. THIALATIN VALLEY HWY. BEAVERTON OR 97003		CAGE 58164 TITLE ENVELOPE DRAWING: 640140 POSITIONER ASSEMBLY	
				WHERE USED:	SIZE	SCALE	CAD P/N
					B	N/A	640140_ENV_RA
				POSTING	P/N	640140-ENV	SHEET OF
							1 1
							REV. A