



Chipsmall Limited consists of a professional team with an average of over 10 year of expertise in the distribution of electronic components. Based in Hongkong, we have already established firm and mutual-benefit business relationships with customers from,Europe,America and south Asia,supplying obsolete and hard-to-find components to meet their specific needs.

With the principle of “Quality Parts,Customers Priority,Honest Operation,and Considerate Service”,our business mainly focus on the distribution of electronic components. Line cards we deal with include Microchip,ALPS,ROHM,Xilinx,Pulse,ON,Everlight and Freescale. Main products comprise IC,Modules,Potentiometer,IC Socket,Relay,Connector.Our parts cover such applications as commercial,industrial, and automotives areas.

We are looking forward to setting up business relationship with you and hope to provide you with the best service and solution. Let us make a better world for our industry!



Contact us

Tel: +86-755-8981 8866 Fax: +86-755-8427 6832

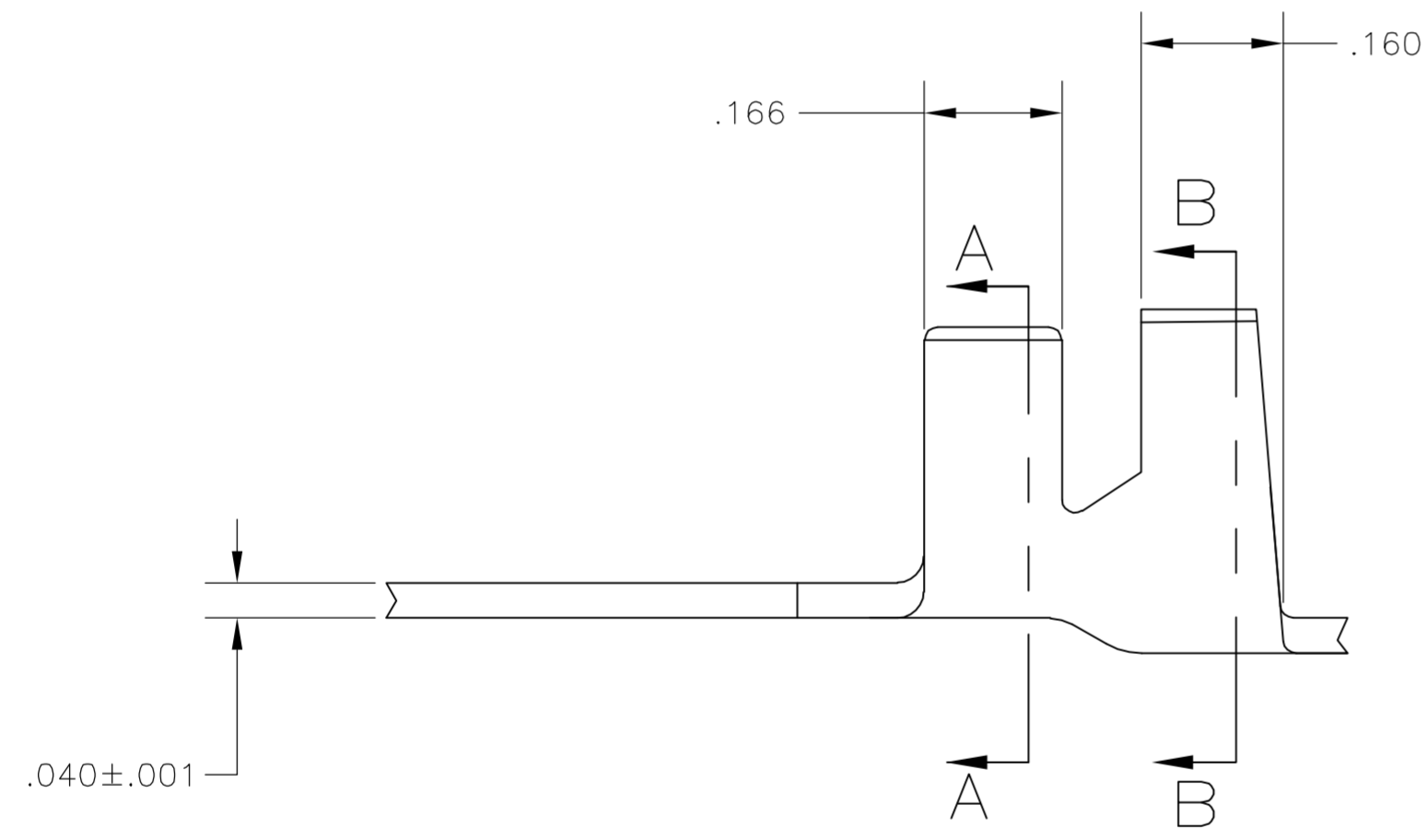
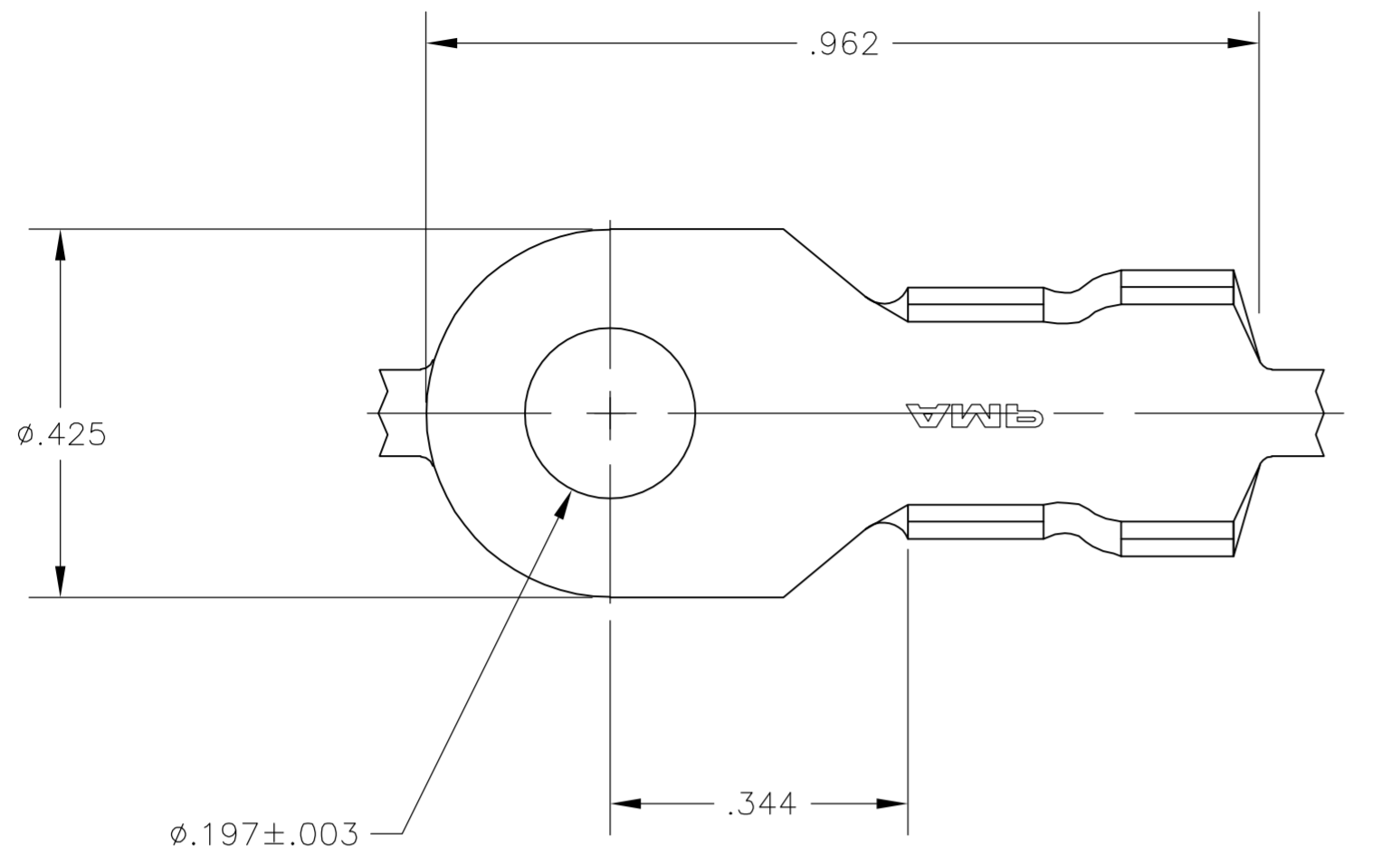
Email & Skype: info@chipsmall.com Web: www.chipsmall.com

Address: A1208, Overseas Decoration Building, #122 Zhenhua RD., Futian, Shenzhen, China

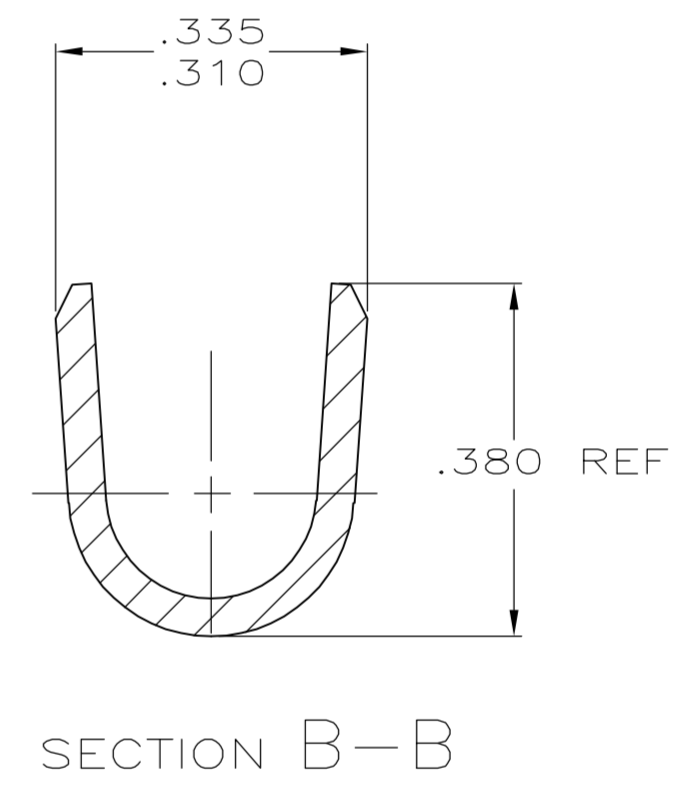
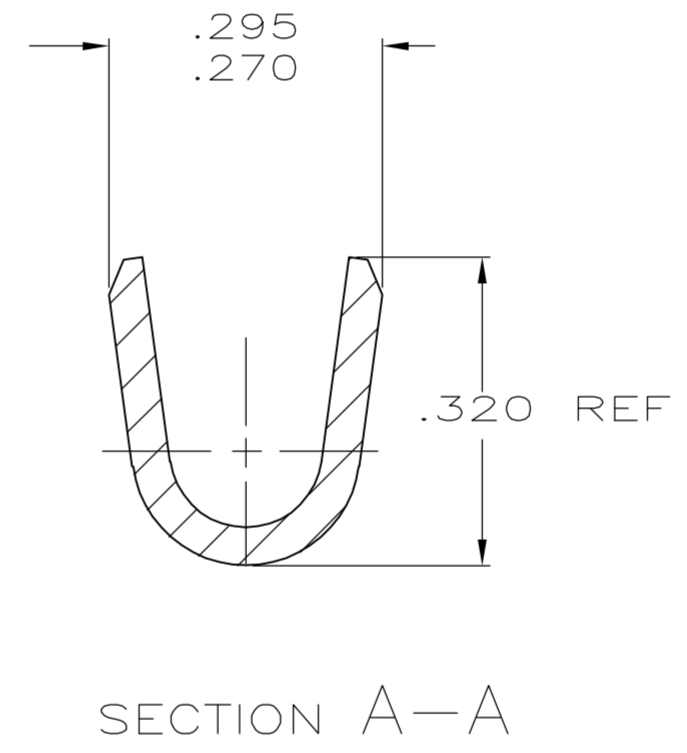


THIS DRAWING IS UNPUBLISHED. RELEASED FOR PUBLICATION
 © COPYRIGHT BY TYCO ELECTRONICS CORPORATION. ALL RIGHTS RESERVED.

LOC	DIST	REVISIONS			
P	LTR	DESCRIPTION	DATE	DWN	APVD
AF	50	E1	REVISED PER ECR-06-002775	15FEB06	HMR DD



- 1 CONTINUOUS STRIP ON REEL.
- 2 WIRE RANGE: #10-#8 AWG.
- 3 INSULATION RANGE: .190-.230 DIA.
- 4 \triangle .000080 MIN BRIGHT TIN PLATE OVER
.000050 MIN NICKEL UNDERPLATE.
- 5 \triangle .000080 MIN TIN PLATE.



-	640249-4
\triangle 5	640249-3
-	-
\triangle 4	640249-1
FINISH	PART NUMBER

THIS DRAWING IS A CONTROLLED DOCUMENT.		DWN MICHAEL S. FEHER 02MAY2003	Tyco Electronics Corporation Harrisburg, PA 17105-3608															
DIMENSIONS: INCHES		CHK DONALD F. DECKER 02MAY2003																
TOLERANCES UNLESS OTHERWISE SPECIFIED:		APVD DONALD F. DECKER 02MAY2003	NAME #10 STUD, TONGUE, RING															
<table border="1"> <tr><td>0 PLC</td><td>± -</td></tr> <tr><td>1 PLC</td><td>± -</td></tr> <tr><td>2 PLC</td><td>± .010</td></tr> <tr><td>3 PLC</td><td>± -</td></tr> <tr><td>4 PLC</td><td>± -</td></tr> <tr><td>ANGLES</td><td>± -</td></tr> <tr><td>FINISH</td><td>SEE TABLE</td></tr> </table>		0 PLC	± -	1 PLC	± -	2 PLC	± .010	3 PLC	± -	4 PLC	± -	ANGLES	± -	FINISH	SEE TABLE	PRODUCT SPEC -	SIZE A2	CAGE CODE 00779
0 PLC	± -																	
1 PLC	± -																	
2 PLC	± .010																	
3 PLC	± -																	
4 PLC	± -																	
ANGLES	± -																	
FINISH	SEE TABLE																	
MATERIAL 082 BRASS		APPLICATION SPEC -	DRAWING NO C=640249	RESTRICTED TO -														
		WEIGHT -	SCALE 5:1	SHEET 1 of 1														
		CUSTOMER DRAWING	REV E1															