



Chipsmall Limited consists of a professional team with an average of over 10 year of expertise in the distribution of electronic components. Based in Hongkong, we have already established firm and mutual-benefit business relationships with customers from,Europe,America and south Asia,supplying obsolete and hard-to-find components to meet their specific needs.

With the principle of “Quality Parts,Customers Priority,Honest Operation,and Considerate Service”,our business mainly focus on the distribution of electronic components. Line cards we deal with include Microchip,ALPS,ROHM,Xilinx,Pulse,ON,Everlight and Freescale. Main products comprise IC,Modules,Potentiometer,IC Socket,Relay,Connector.Our parts cover such applications as commercial,industrial, and automotives areas.

We are looking forward to setting up business relationship with you and hope to provide you with the best service and solution. Let us make a better world for our industry!



Contact us

Tel: +86-755-8981 8866 Fax: +86-755-8427 6832

Email & Skype: info@chipsmall.com Web: www.chipsmall.com

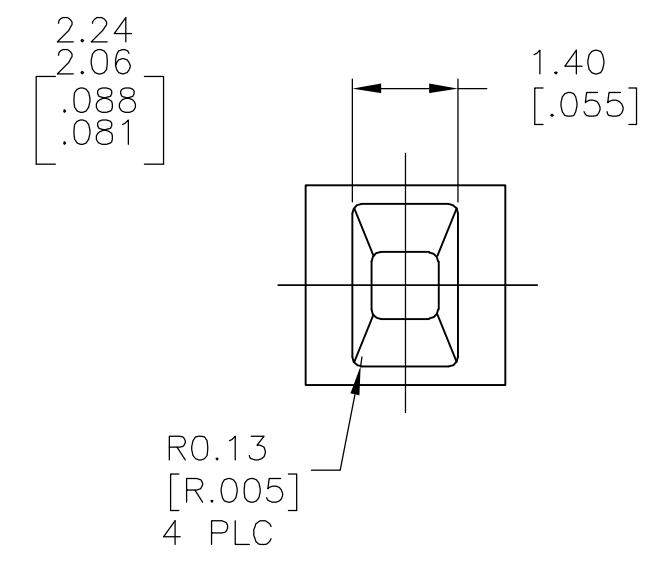
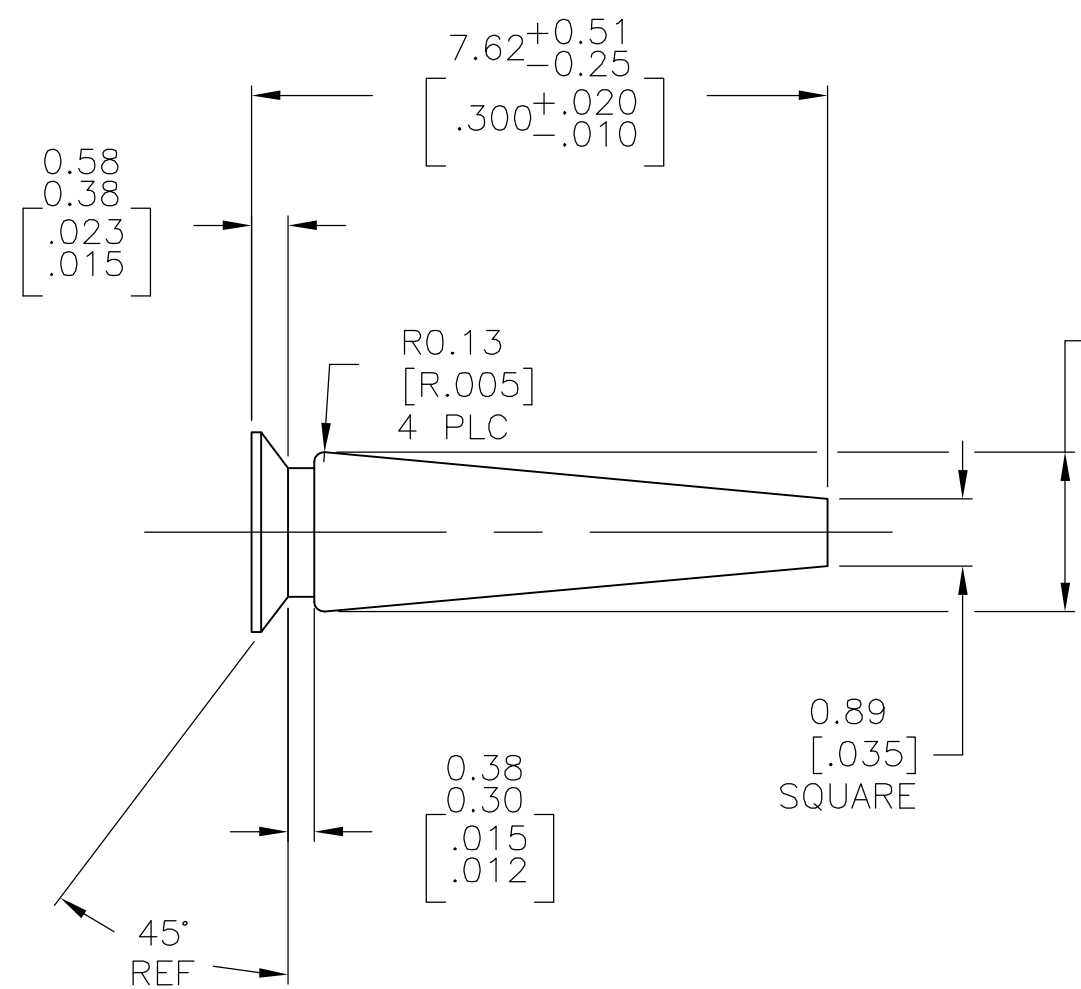
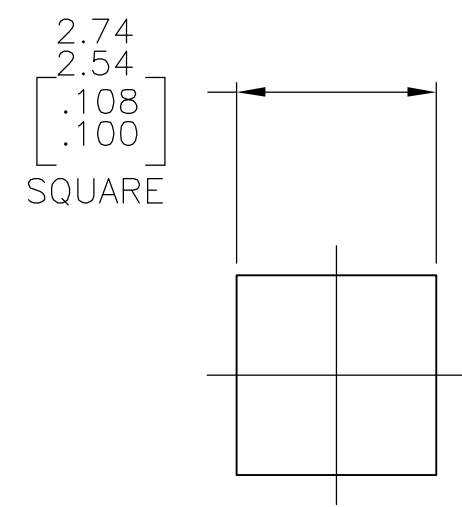
Address: A1208, Overseas Decoration Building, #122 Zhenhua RD., Futian, Shenzhen, China



THIS DRAWING IS UNPUBLISHED. RELEASED FOR PUBLICATION
 © COPYRIGHT - BY TYCO ELECTRONICS CORPORATION. ALL RIGHTS RESERVED.

LOC	DIST	REVISIONS					
		P	LTR	DESCRIPTION	DATE	DWN	APVD
CM	54		F1	ECO-06-017889	07AUG06	BSV	DB

1 MOLDING COMPOUND NYLON,6/6 .
 2. DIMENSIONS IN BRACKETS ARE IN INCHES.



BLACK	640254-2
NATURAL	640254-1
COLOR	PART NO.

METRIC

THIS DRAWING IS A CONTROLLED DOCUMENT.		DWN	10DEC91	tyco Electronics	Tyco Electronics Corporation Harrisburg, Pa 17105-3608			
DIMENSIONS: mm [INCHES]		CHK	10DEC91		NAME			
TOLERANCES UNLESS OTHERWISE SPECIFIED:		R	11DEC91		SL-156 KEYING PLUG, .045 SQ. POST CONNECTOR			
0 PLC ± -		APVD	-	PRODUCT SPEC	-			RESTRICTED TO
1 PLC ± -		APPLICATION SPEC	-	APPLICATION SPEC	-			-
2 PLC ± -		WEIGHT	-	SIZE	CAGE CODE	DRAWING NO	-	
3 PLC ± 0.13 [.005]		CUSTOMER DRAWING		A3	00779	C-640254	-	
4 PLC ± -		SCALE	10:1	SHEET		1 OF 1	REV	
ANGLES ± -		SCALE 10:1		SHEET 1 OF 1		REV F1		
FINISH -		SCALE 10:1		SHEET 1 OF 1		REV F1		