



Chipsmall Limited consists of a professional team with an average of over 10 year of expertise in the distribution of electronic components. Based in Hongkong, we have already established firm and mutual-benefit business relationships with customers from,Europe,America and south Asia,supplying obsolete and hard-to-find components to meet their specific needs.

With the principle of “Quality Parts,Customers Priority,Honest Operation,and Considerate Service”,our business mainly focus on the distribution of electronic components. Line cards we deal with include Microchip,ALPS,ROHM,Xilinx,Pulse,ON,Everlight and Freescale. Main products comprise IC,Modules,Potentiometer,IC Socket,Relay,Connector.Our parts cover such applications as commercial,industrial, and automotives areas.

We are looking forward to setting up business relationship with you and hope to provide you with the best service and solution. Let us make a better world for our industry!



Contact us

Tel: +86-755-8981 8866 Fax: +86-755-8427 6832

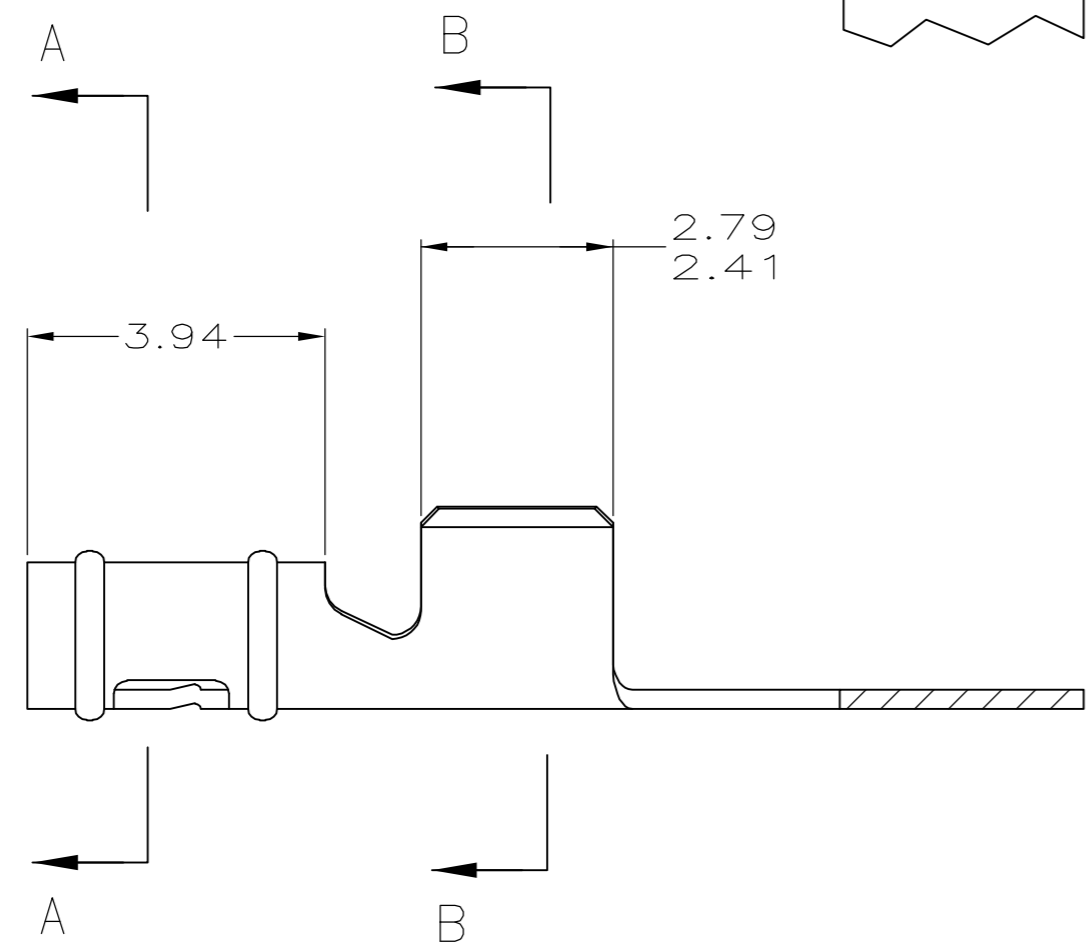
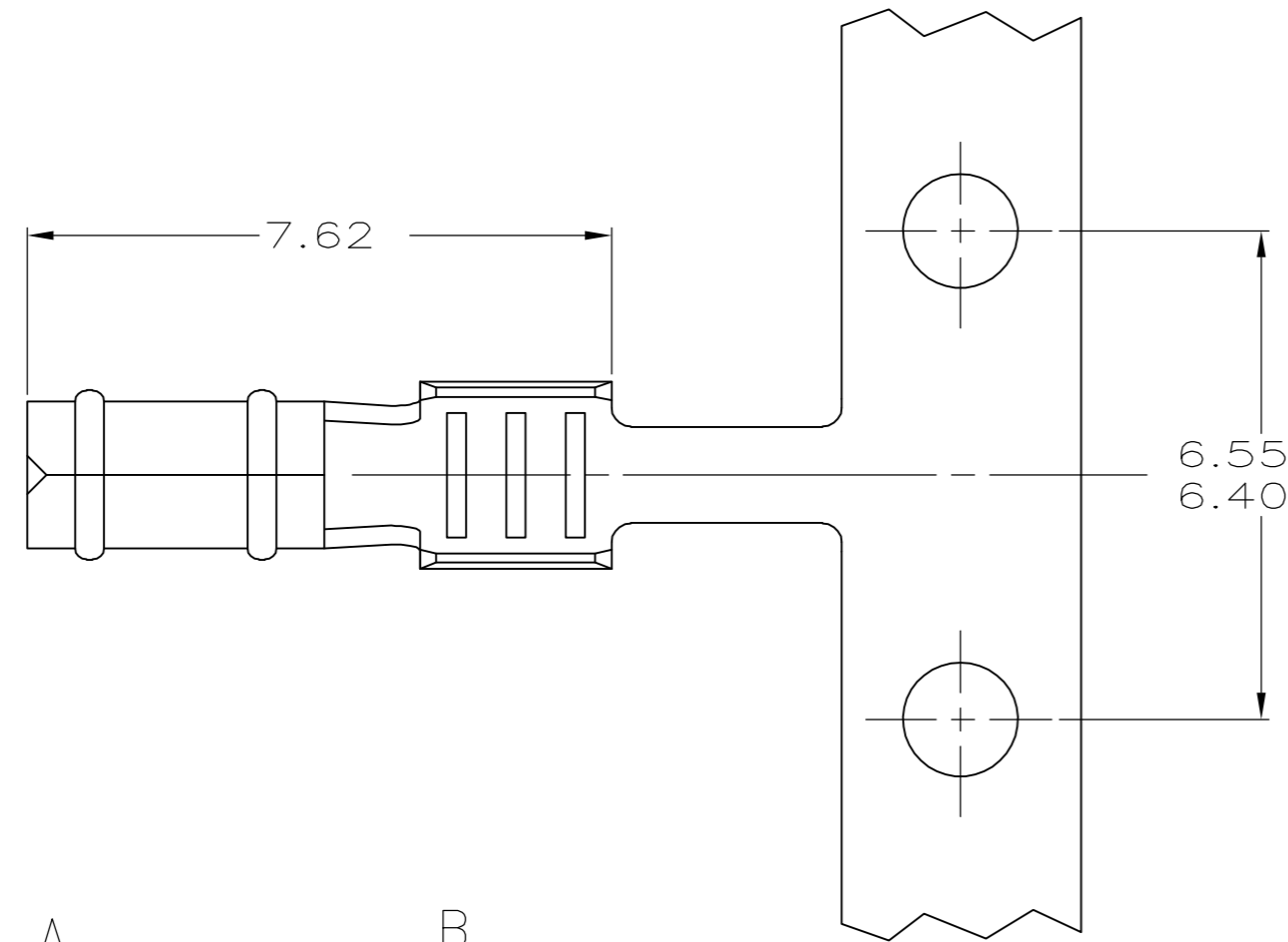
Email & Skype: info@chipsmall.com Web: www.chipsmall.com

Address: A1208, Overseas Decoration Building, #122 Zhenhua RD., Futian, Shenzhen, China



THIS DRAWING IS UNPUBLISHED. RELEASED FOR PUBLICATION
 © COPYRIGHT BY TYCO ELECTRONICS CORPORATION. ALL RIGHTS RESERVED.

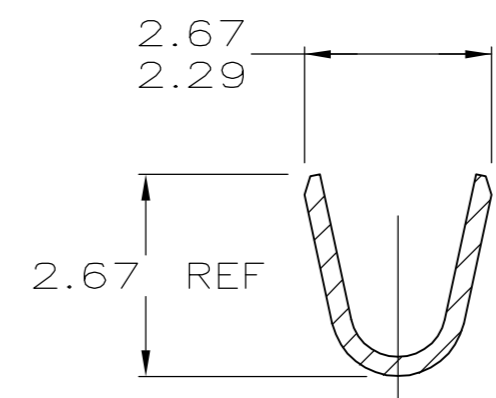
LOC	DIST	REVISIONS					
CM	0	P	LTR	DESCRIPTION	DATE	DWN	APVD
		E		REVISED PER ECO-07-004858	02MAR07	KW	DB



- 1. 0.00203 MIN MATTE TIN PLATING OVER ALL.
- 2. WIRE RANGE: 0.3 - 1 MM² (22 - 17 AWG)
- 3. 0.00038 MIN GOLD OVER 0.00127 MIN NICKEL UNDERPLATE ALL OVER.



SECTION A-A

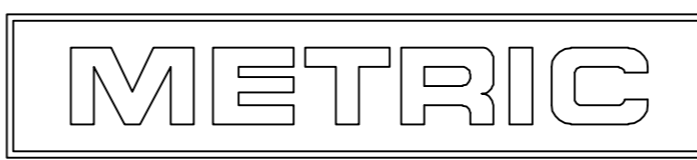


SECTION B-B

3	0.25 BE CU	640259-2
1	0.25 BE CU	640259-1
FINISH	MATERIAL	PART NUMBER

MM	IN	MM	IN	MM	IN	MM	IN
0.13	.005	1.486	.0585	2.79	.110	7.62	.300
0.00203	.000080	1.47	.058	2.67	.105	6.55	.258
0.00127	.000050	1.359	.0535	2.41	.095	6.40	.252
0.00038	.000015	0.25	.010	2.29	.090	3.94	.155

CONVERSION TABLE



THIS DRAWING IS A CONTROLLED DOCUMENT.

DIMENSIONS:	TOLERANCES UNLESS OTHERWISE SPECIFIED:	DWN	6-10-97	Tyco Electronics Corporation Harrisburg, PA 17105-3608			
mm		CHK	6-10-97				
		APVD	6-17-97				
		NAME					
		T. BECK R. SWING A. BEDDICK		RECEPTACLE, .058 DIAMETER, 22-17 AWG, P.C. CONTACT			
MATERIAL	FINISH	PRODUCT SPEC	108-1025	SIZE	CAGE CODE	DRAWING NO	RESTRICTED TO
SEE TABLE	SEE TABLE	APPLICATION SPEC	114-1008	A2	00779	C=640259	-
		WEIGHT	-	SCALE	10:1	SHEET	1 of 1
		CUSTOMER DRAWING		REV	E		

640259-0259