



Chipsmall Limited consists of a professional team with an average of over 10 year of expertise in the distribution of electronic components. Based in Hongkong, we have already established firm and mutual-benefit business relationships with customers from,Europe,America and south Asia,supplying obsolete and hard-to-find components to meet their specific needs.

With the principle of “Quality Parts,Customers Priority,Honest Operation,and Considerate Service”,our business mainly focus on the distribution of electronic components. Line cards we deal with include Microchip,ALPS,ROHM,Xilinx,Pulse,ON,Everlight and Freescale. Main products comprise IC,Modules,Potentiometer,IC Socket,Relay,Connector.Our parts cover such applications as commercial,industrial, and automotives areas.

We are looking forward to setting up business relationship with you and hope to provide you with the best service and solution. Let us make a better world for our industry!



## Contact us

Tel: +86-755-8981 8866 Fax: +86-755-8427 6832

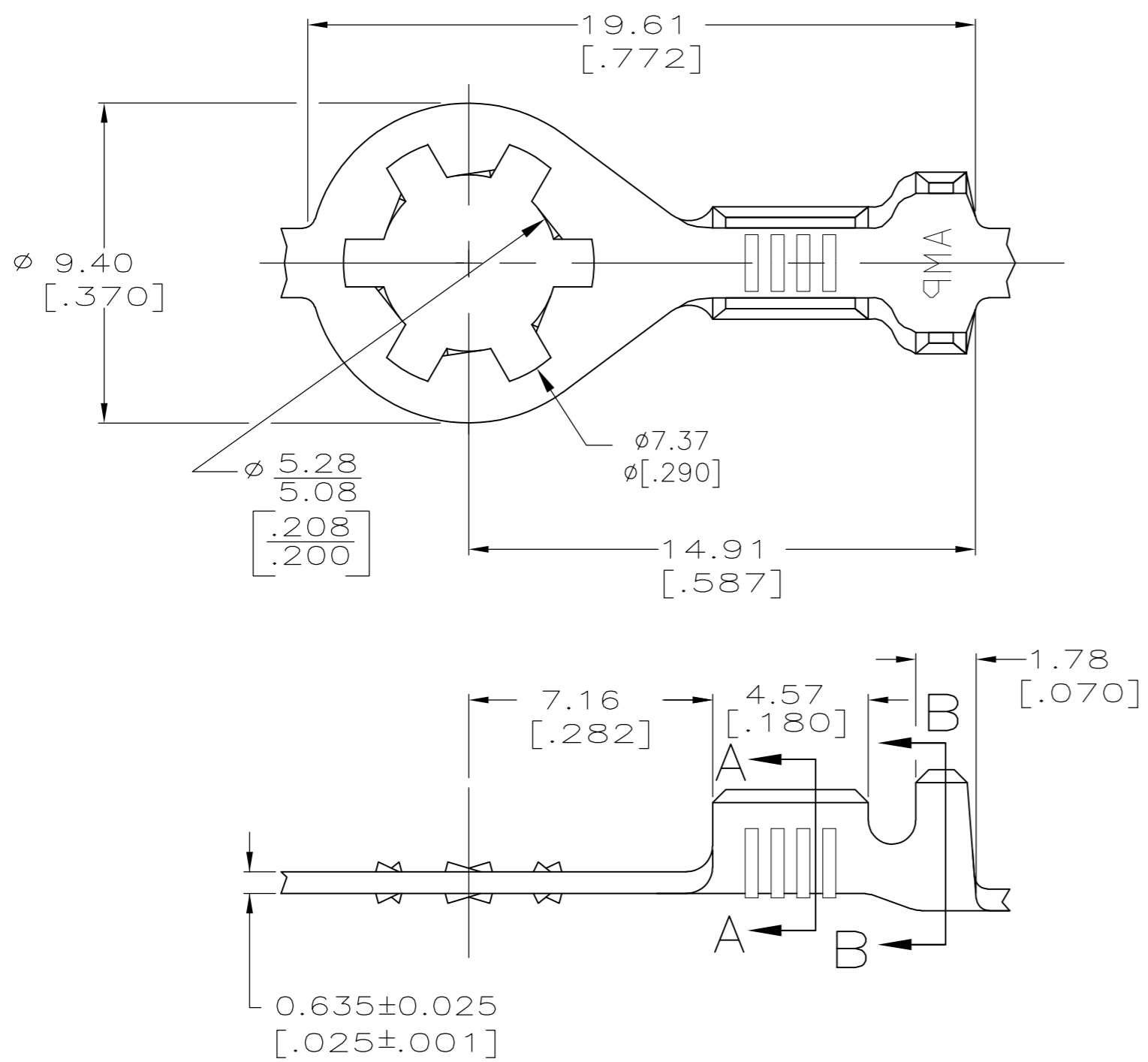
Email & Skype: info@chipsmall.com Web: www.chipsmall.com

Address: A1208, Overseas Decoration Building, #122 Zhenhua RD., Futian, Shenzhen, China

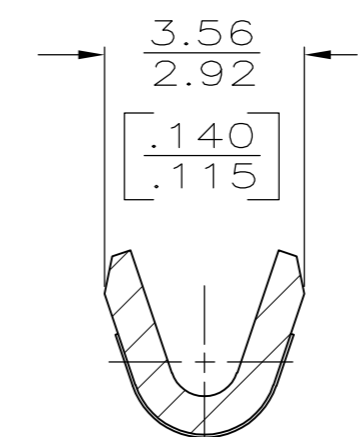


THIS DRAWING IS UNPUBLISHED. RELEASED FOR PUBLICATION  
 © COPYRIGHT BY TYCO ELECTRONICS CORPORATION. ALL RIGHTS RESERVED.

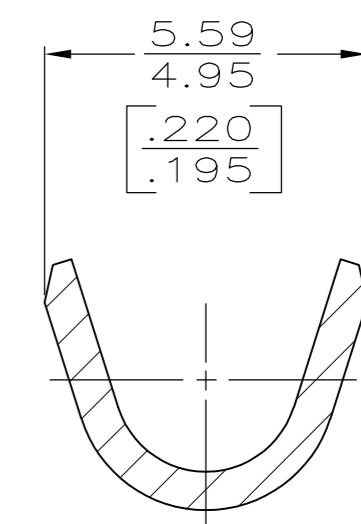
LOC	DIST	REVISIONS			
P	LTR	DESCRIPTION	DATE	DWN	APVD
AF	50	G1	REVISED PER ECR-08-007950	10APR08	HMR DD



- 1 CONTINUOUS STRIP ON REELS.
- 2 0.02032 [0.00080] MIN BRIGHT TIN PLATE OVER 0.0127 [0.00050] MIN NICKEL UNDERPLATE.
- 3 WIRE RANGE: 0.3-0.8mm<sup>2</sup> [22-18] AWG.
- 4 INSULATION RANGE: 2.03-3.05 [0.080-.120] DIA.
- 5 0.02032 [0.00080] MIN TIN PLATE.
- 6 PREPRODUCTION - F.A.S.R. REQUIRED.



SECTION A-A  
SCALE 8:1



SECTION B-B  
SCALE 8:1

TYPE	WIDTH	STRIP LENGTH	TYPE	WIDTH	±0.051 [±0.002] HEIGHT	WIRE
F or O	4.57 [0.180]	6.35 [0.250]	F	2.54 [0.100]	1.75 [0.069]	0.8mm <sup>2</sup> [18]
					1.65 [0.065]	0.5mm <sup>2</sup> [20]
					1.60 [0.063]	0.3mm <sup>2</sup> [22]
INSUL BARREL CRIMP		±0.38 [±0.015]	WIRE BARREL CRIMP			

5	640271-3
	-
2	640271-1
FINISH	PART NUMBER

THIS DRAWING IS A CONTROLLED DOCUMENT.		DWN 02MAY2003 MICHAEL S. FEHER	Tyco Electronics Corporation Harrisburg, PA 17105-3608	
DIMENSIONS: INCHES		CHK 02MAY2003 D.F. DECKER	NAME	
TOLERANCES UNLESS OTHERWISE SPECIFIED:		APVD 02MAY2003 D.F. DECKER	RING	
0 PLC ± -		PRODUCT SPEC	SIZE CAGE CODE DRAWING NO	
1 PLC ± -		APPLICATION SPEC	A2 00779 C=640271	
2 PLC ± -		WEIGHT	RESTRICTED TO	
3 PLC ± 0.25 [0.010]		#2 HARD STEEL	-	
4 PLC ± -		FINISH SEE TABLE	SCALE 6:1 SHEET 1 of 1 REV G1	
ANGLES ± -		CUSTOMER DRAWING		