



Chipsmall Limited consists of a professional team with an average of over 10 year of expertise in the distribution of electronic components. Based in Hongkong, we have already established firm and mutual-benefit business relationships with customers from,Europe,America and south Asia,supplying obsolete and hard-to-find components to meet their specific needs.

With the principle of “Quality Parts,Customers Priority,Honest Operation,and Considerate Service”,our business mainly focus on the distribution of electronic components. Line cards we deal with include Microchip,ALPS,ROHM,Xilinx,Pulse,ON,Everlight and Freescale. Main products comprise IC,Modules,Potentiometer,IC Socket,Relay,Connector.Our parts cover such applications as commercial,industrial, and automotives areas.

We are looking forward to setting up business relationship with you and hope to provide you with the best service and solution. Let us make a better world for our industry!



Contact us

Tel: +86-755-8981 8866 Fax: +86-755-8427 6832

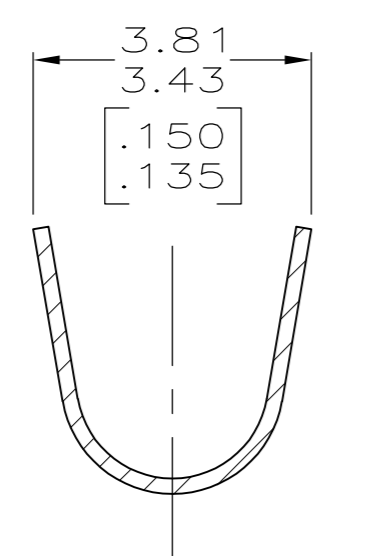
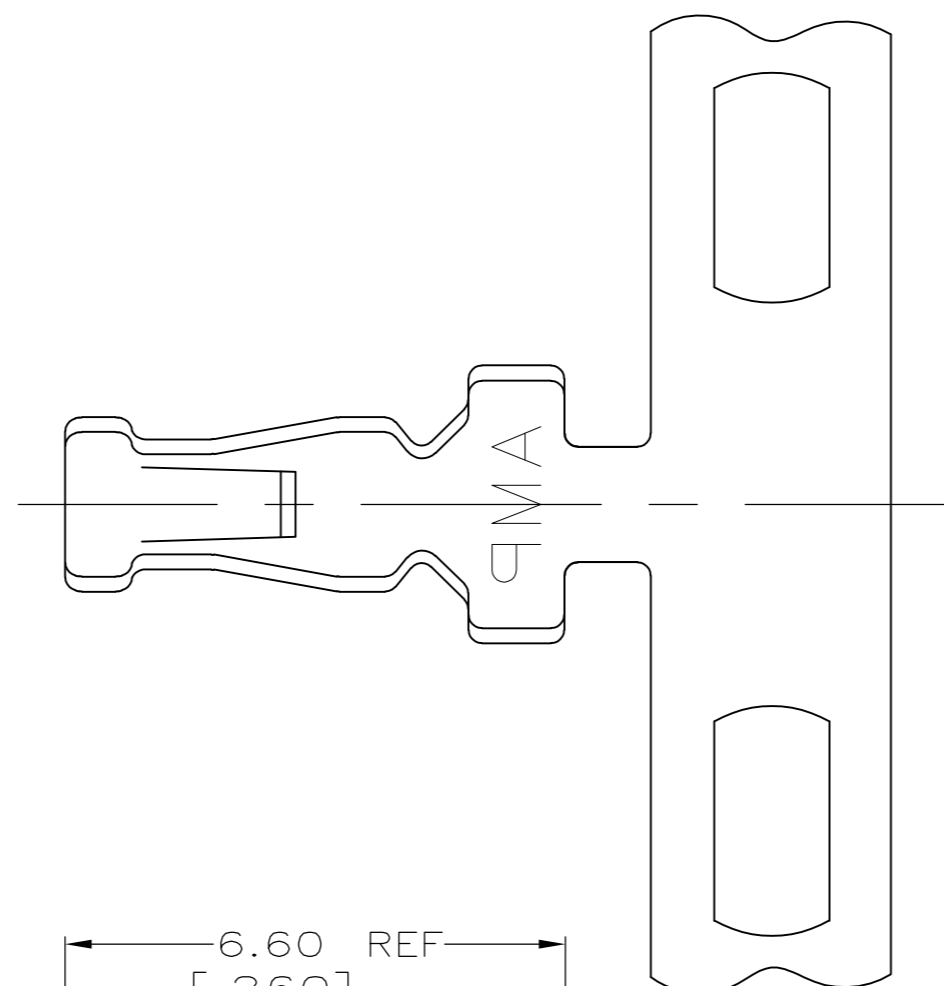
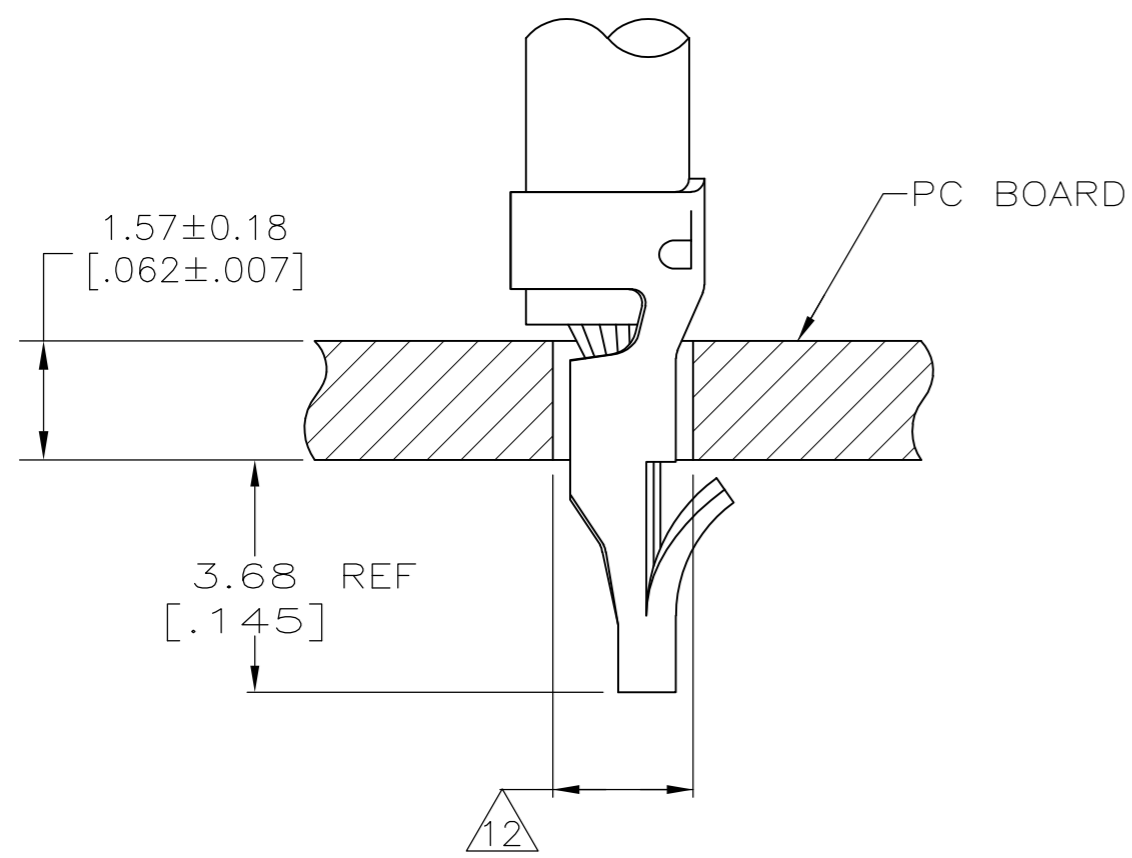
Email & Skype: info@chipsmall.com Web: www.chipsmall.com

Address: A1208, Overseas Decoration Building, #122 Zhenhua RD., Futian, Shenzhen, China

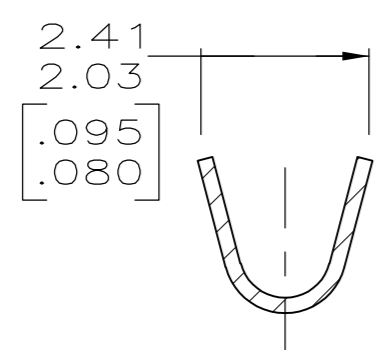
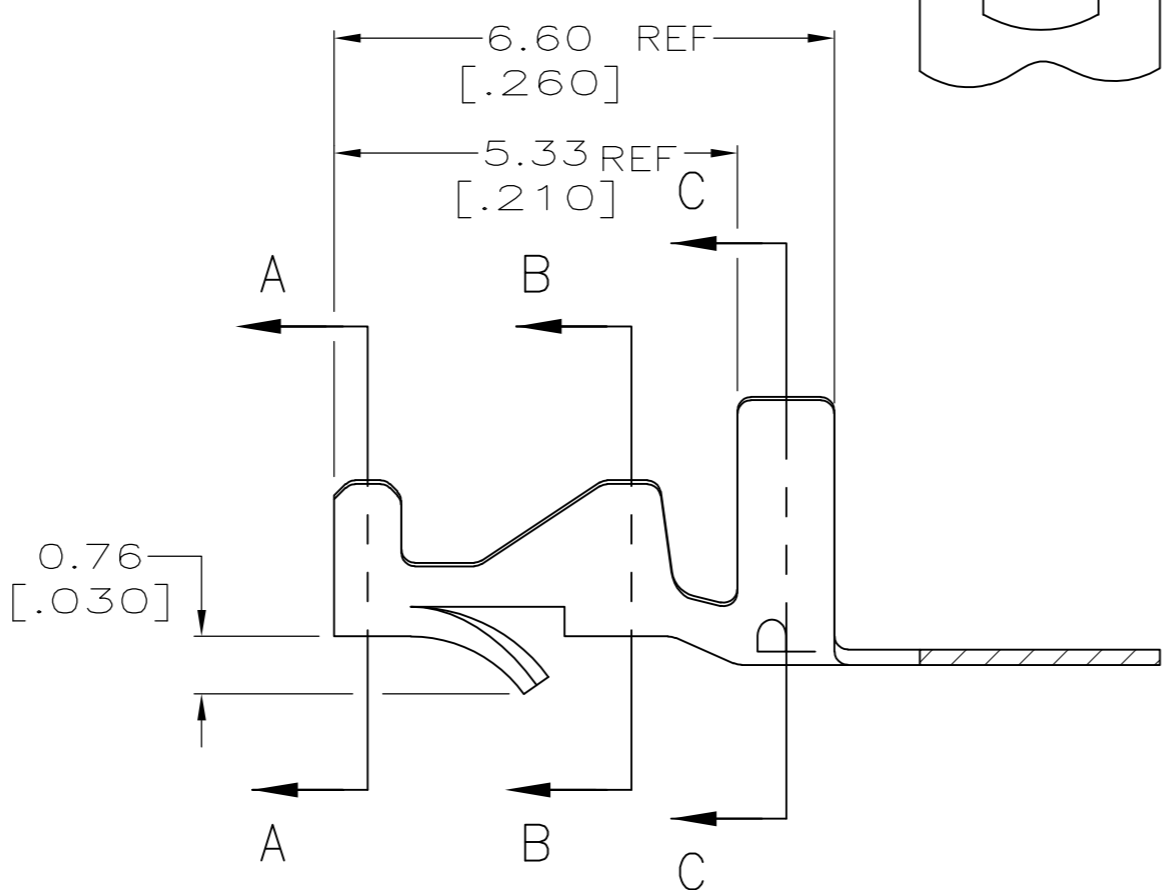


THIS DRAWING IS UNPUBLISHED. RELEASED FOR PUBLICATION
 © COPYRIGHT - By - ALL RIGHTS RESERVED.

LOC	DIST	REVISIONS					
CM	00	P	LTR	DESCRIPTION	DATE	DWN	APVD
		R6		REVISED PER ECO-12-014997	22AUG12	KH	SM



SECTION C-C



SECTION A-A, B-B

- 1 PARTS COMPLY WITH AMP SOLDERABILITY SPEC 109-11-3.
- 2 0.00508 [.000200] MIN BRIGHT TIN-LEAD.
- 3 PARTS COMPLY WITH AMP SOLDERABILITY SPEC 109-11-1.
- 4 0.00305 [.000120] MIN BRIGHT TIN-LEAD OVER 0.00102 [.000040] MIN NICKEL.
- 5 FOR FOREIGN PRODUCTION ONLY.
- 6 CARRIER STRIP TO HAVE 1.52 [.060] DIA PILOT HOLE
- 7 0.00305 [.000120] MIN TIN OVER 0.00102 [.000040] MIN NICKEL.
- 8 WIRE RANGE: 0.3 - 0.9 mm² (22 - 18 AWG).
- 9 INSULATION RANGE: 1.52 - 2.79 [.060 - .110] DIA.
- 10 DIMENSIONS IN BRACKETS ARE IN INCHES.
- 11 0.00508 [.000200] MIN BRIGHT TIN.
- 12 HOLE DIAMETER TO BE 1.83±0.08 FOR WIRE 0.3-0.6mm² (20-22 AWG) OR 1.96±0.08 FOR WIRE 0.8-0.9mm² (18 AWG).

NOTES	FINISH	MATERIAL	PART NO.
1	11	0.20[.008] PH BRZ	3-640311-1
3 5 6	7	0.20[.008] BRASS	640311-5
3 5	4	0.20[.008] BRASS	640311-3
1	2	0.20[.008] PH BRZ	640311-1

THIS DRAWING IS A CONTROLLED DOCUMENT.		DWN S. CARPENTER 21AUG2003	TE Connectivity	
DIMENSIONS: INCHES		CHK J. ELLIS 21AUG2003	NAME MINI AMP-IN™	
TOLERANCES UNLESS OTHERWISE SPECIFIED:		APVD J. ELLIS 21AUG2003	SIZE A2	
0 PLC ±		PRODUCT SPEC	CAGE CODE 00779	DRAWING NO 640311
1 PLC ±		APPLICATION SPEC	RESTRICTED TO	
2 PLC ± 0.13 [.005]		114-1016	SCALE 1:1	
3 PLC ±		WEIGHT	SHEET 1 of 1	
4 PLC ±		CUSTOMER DRAWING	REV R6	
ANGLES ±				
FINISH				
SEE TABLE				

