



Chipsmall Limited consists of a professional team with an average of over 10 year of expertise in the distribution of electronic components. Based in Hongkong, we have already established firm and mutual-benefit business relationships with customers from,Europe,America and south Asia,supplying obsolete and hard-to-find components to meet their specific needs.

With the principle of “Quality Parts,Customers Priority,Honest Operation,and Considerate Service”,our business mainly focus on the distribution of electronic components. Line cards we deal with include Microchip,ALPS,ROHM,Xilinx,Pulse,ON,Everlight and Freescale. Main products comprise IC,Modules,Potentiometer,IC Socket,Relay,Connector.Our parts cover such applications as commercial,industrial, and automotives areas.

We are looking forward to setting up business relationship with you and hope to provide you with the best service and solution. Let us make a better world for our industry!



Contact us

Tel: +86-755-8981 8866 Fax: +86-755-8427 6832

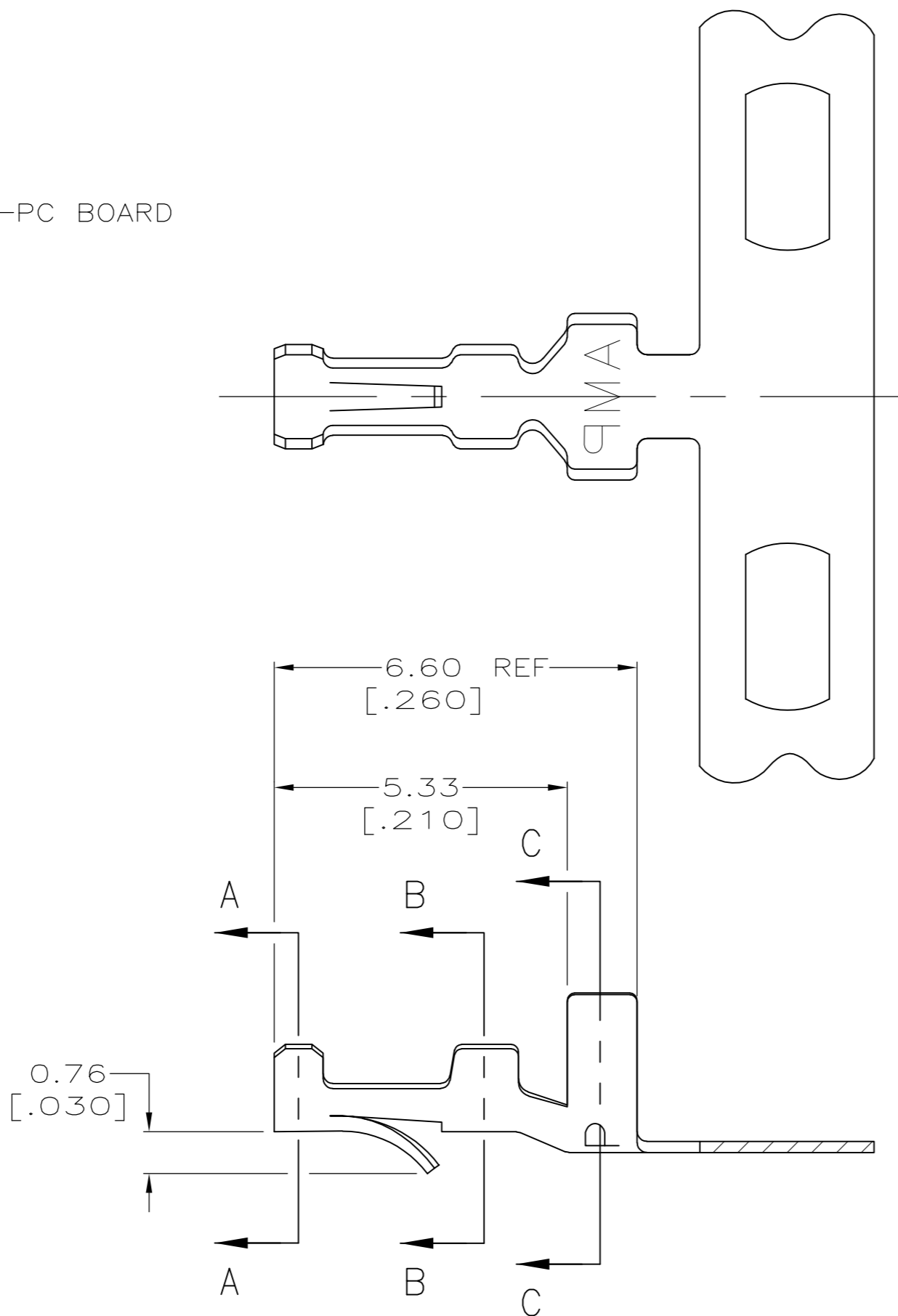
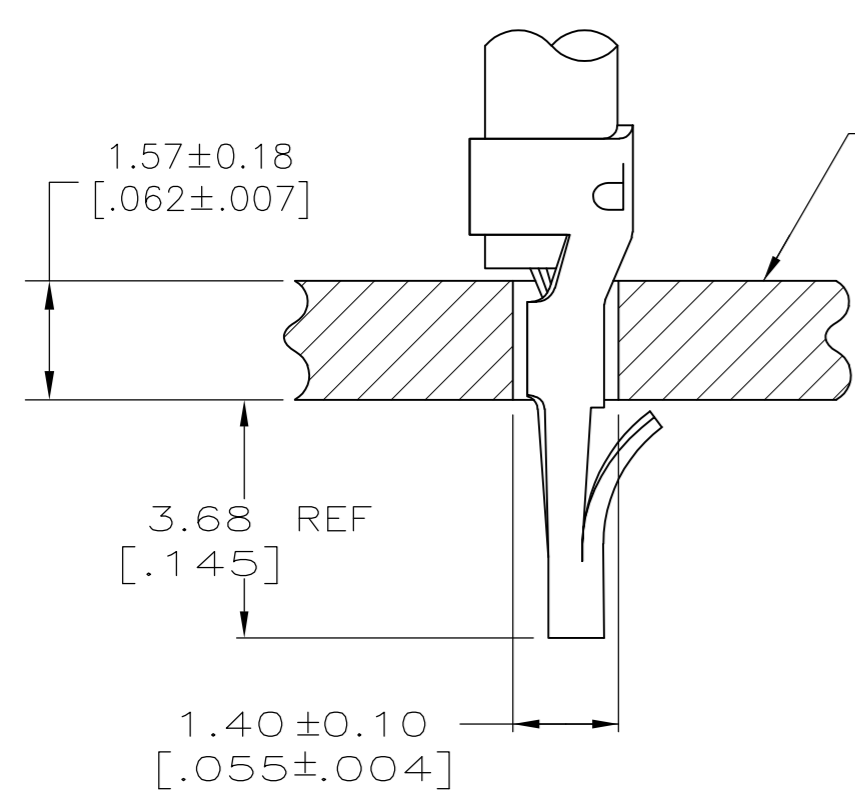
Email & Skype: info@chipsmall.com Web: www.chipsmall.com

Address: A1208, Overseas Decoration Building, #122 Zhenhua RD., Futian, Shenzhen, China

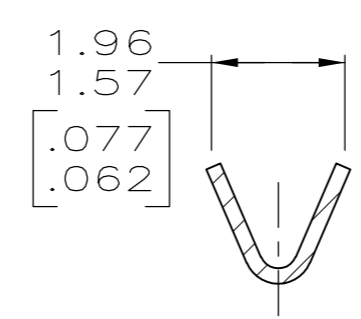


THIS DRAWING IS UNPUBLISHED. RELEASED FOR PUBLICATION
 © COPYRIGHT - By - ALL RIGHTS RESERVED.

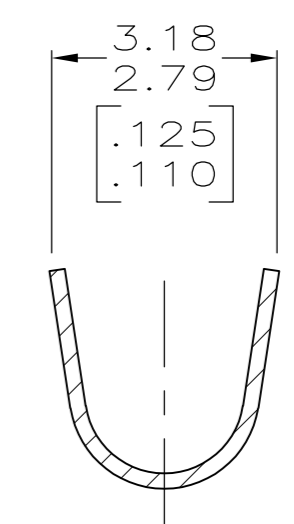
LOC	DIST	REVISIONS					
CM	00	P	LTR	DESCRIPTION	DATE	DWN	APVD
		P2		REVISED PER ECO-12-014997	22AUG12	KH	SM



- 1 PARTS COMPLY WITH AMP SOLDERABILITY SPEC 109-11-3.
- 2 PARTS CAPABLE OF BEING APPLIED BY AMPOMATOR.
- 3 0.00508 [.000200] MIN BRIGHT TIN-LEAD.
- 4 0.00381 [.000150] MIN BRIGHT TIN-LEAD OVER 0.00127 [.000050] MIN NICKEL.
- 5 WIRE RANGE: 0.12 - 0.4 mm² (26 - 22 AWG).
- 6 INSULATION RANGE: 1.02 - 2.54 [.040 - .100] DIA.
- 7 DIMENSIONS IN BRACKETS ARE IN INCHES.
- 8 0.00508 [.000200] MIN BRIGHT TIN.



SECTION A-A, B-B



SECTION C-C

	MINI	8	0.20[.008] PH BRZ	3-640401-1
	MINI	4	0.20[.008] PH BRZ	640401-3
SUPERSEDED BY 3-640401-1	MINI	3	0.20[.008] PH BRZ	—640401-1—
	APPLICATOR	FINISH	MATERIAL	PART NO

METRIC

THIS DRAWING IS A CONTROLLED DOCUMENT.

DWN S. CARPENTER 21AUG2003	TE Connectivity MINI AMP-IN™				
CHK J. ELLIS 21AUG2003					
APVD J. ELLIS 21AUG2003					
PRODUCT SPEC					
APPLICATION SPEC 114-1016	NAME				
MATERIAL SEE TABLE	WEIGHT	SIZE A2	CAGE CODE 00779	DRAWING NO C-640401	RESTRICTED TO -
FINISH SEE TABLE	CUSTOMER DRAWING	SCALE 10:1	SHEET 1 of 1	REV P2	